

MATERIALS AND FINISHES:

BODY: BRASS
PLATED: NICKEL (200μ-in MIN)

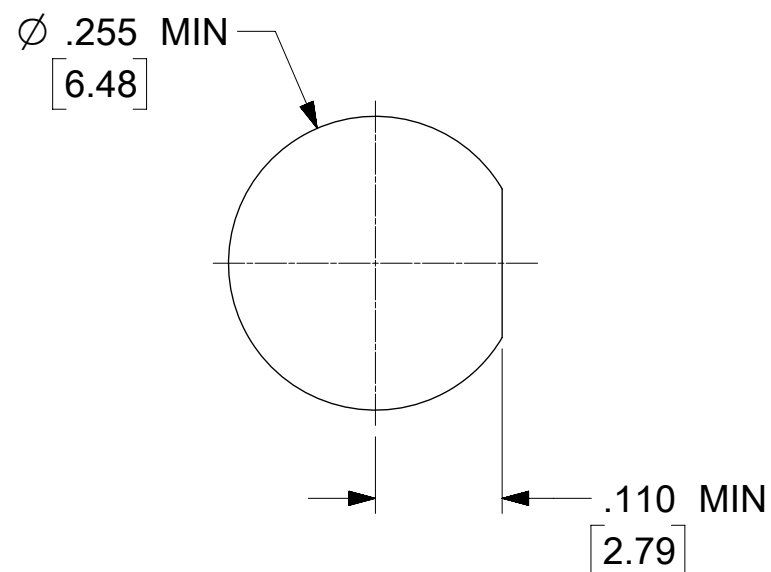
CENTER CONTACT: BRASS
PLATED: GOLD (10μ-in MIN)
OVER NICKEL (150μ-in MIN)

INSULATOR: PTFE

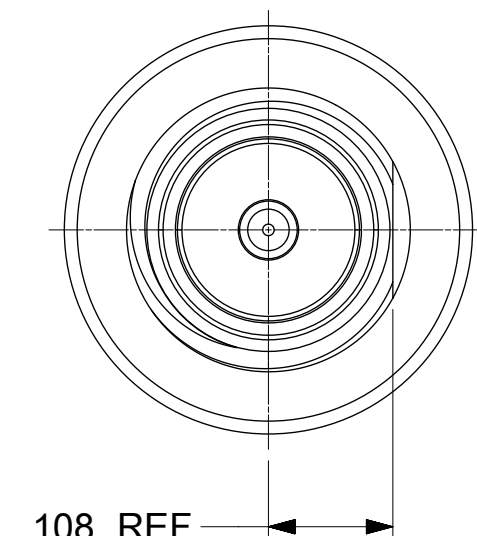
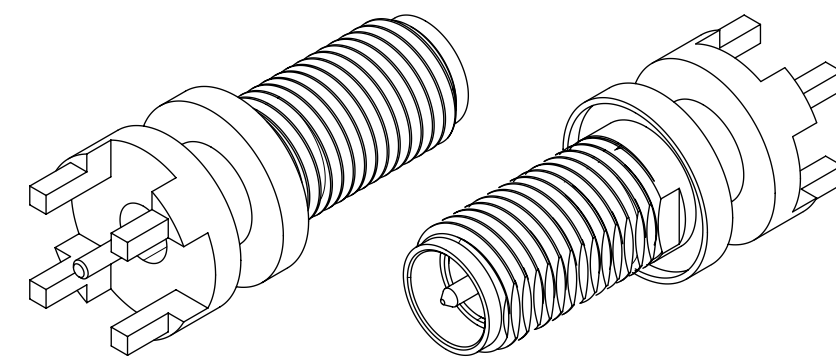
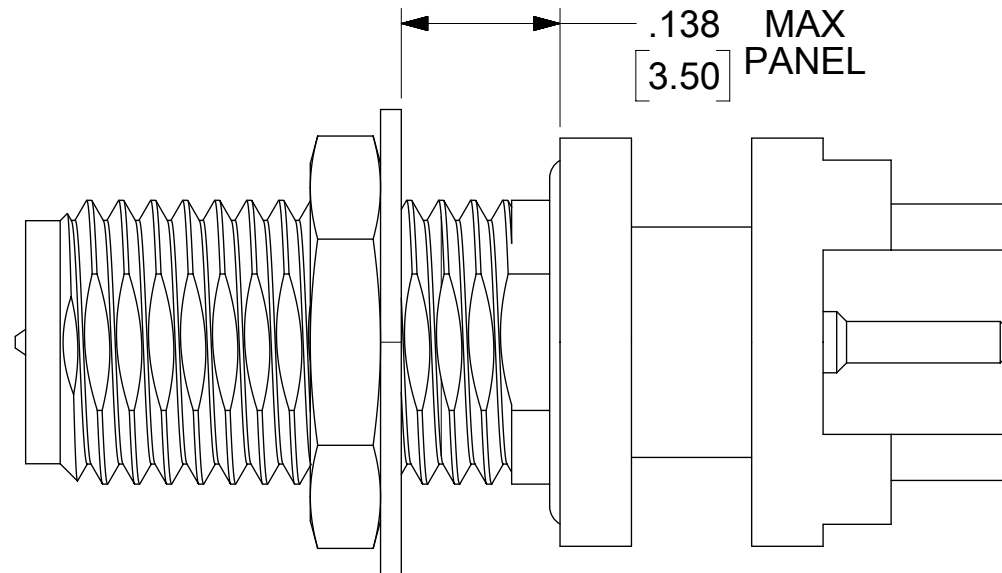
JAM NUT: BRASS
PLATED: NICKEL (100μ-in MIN)

LOCKWASHER: PHOSPHOR BRONZE
PLATED: NICKEL (100μ-in MIN)

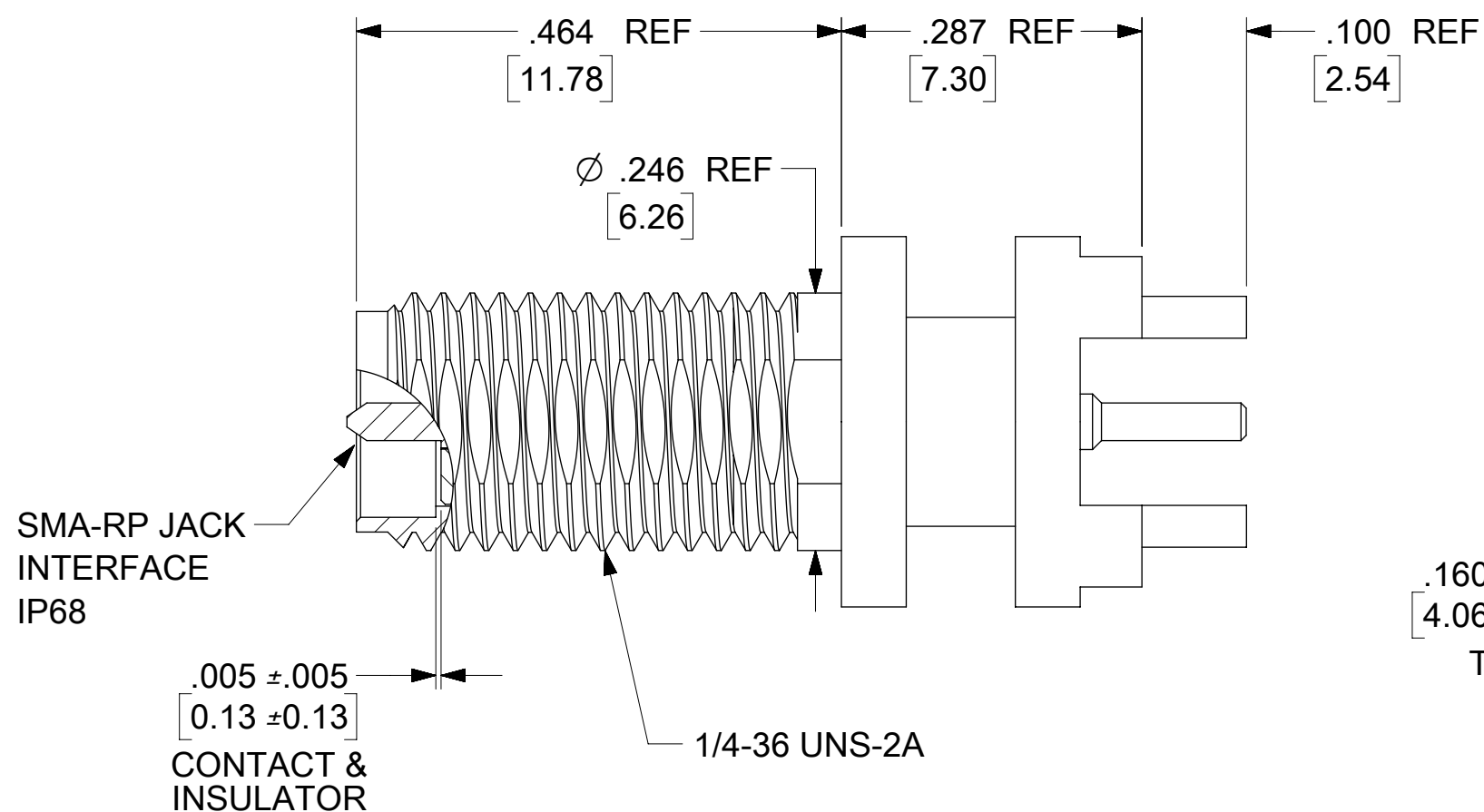
O-RING: SILICON RUBBER



**RECOMMENDED
 PANEL CUTOUT**



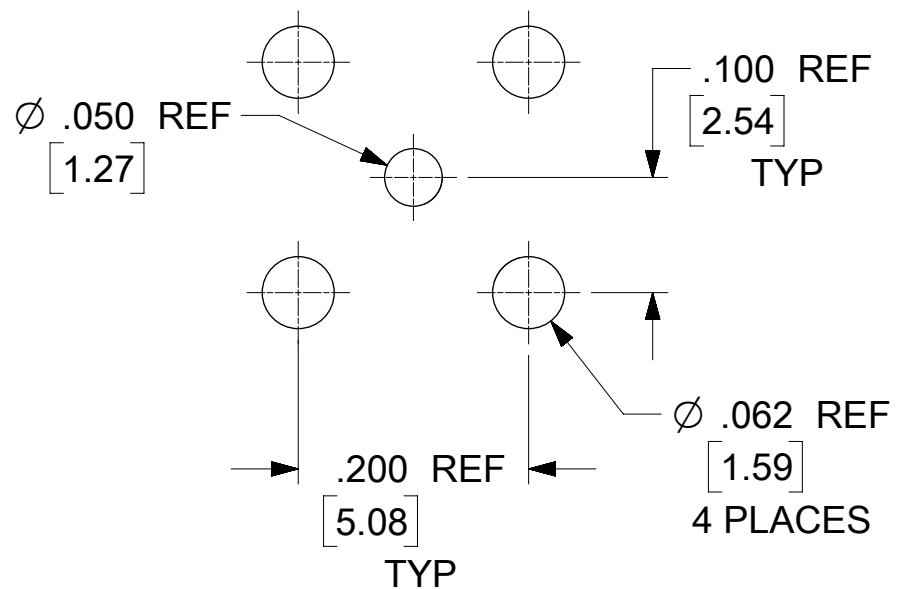
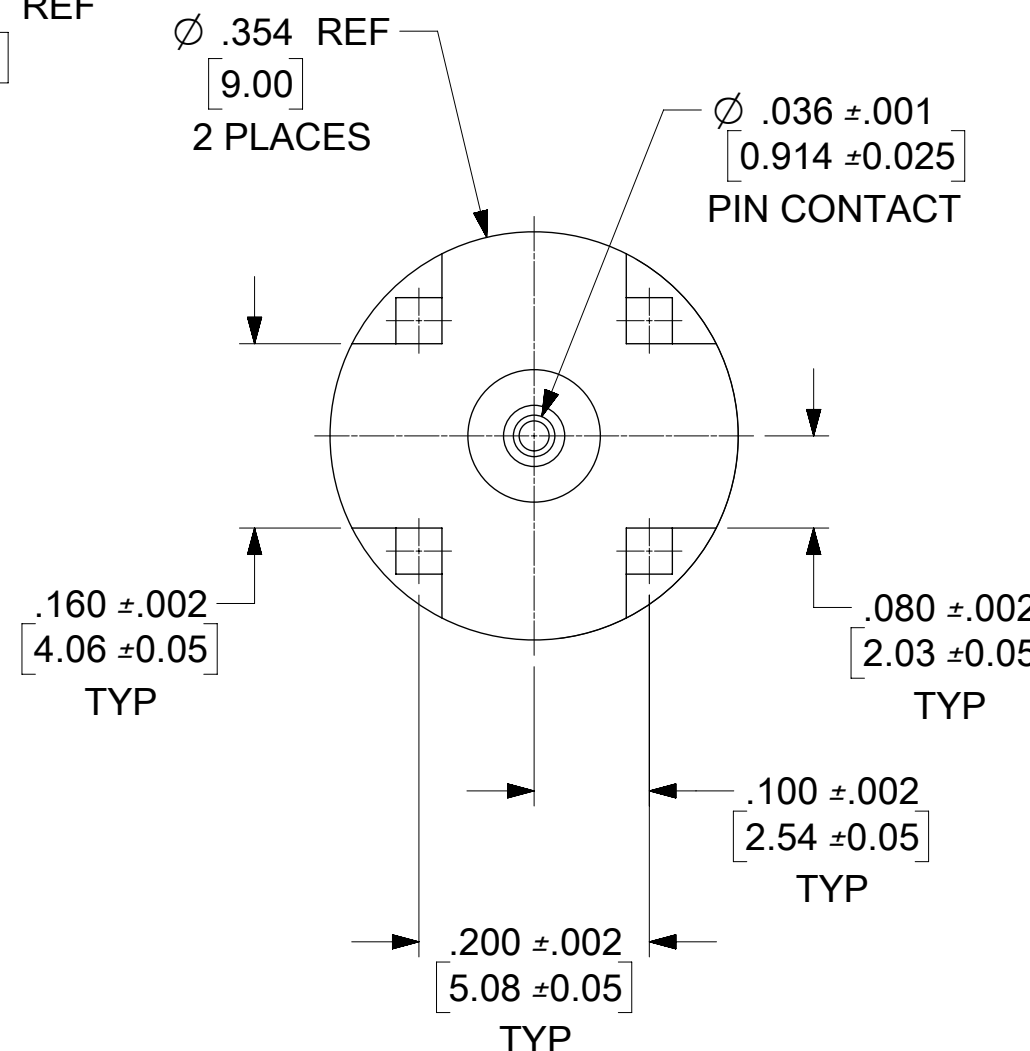
**.108 REF
 [2.74]
 FLAT**



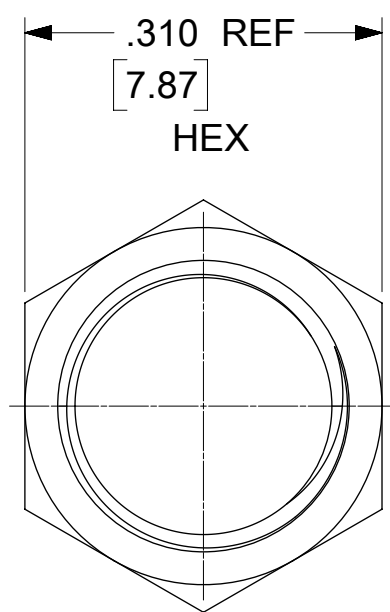
**SMA-RP JACK
 INTERFACE
 IP68**

**.005 ±.005
 [0.13 ±0.13]
 CONTACT &
 INSULATOR**

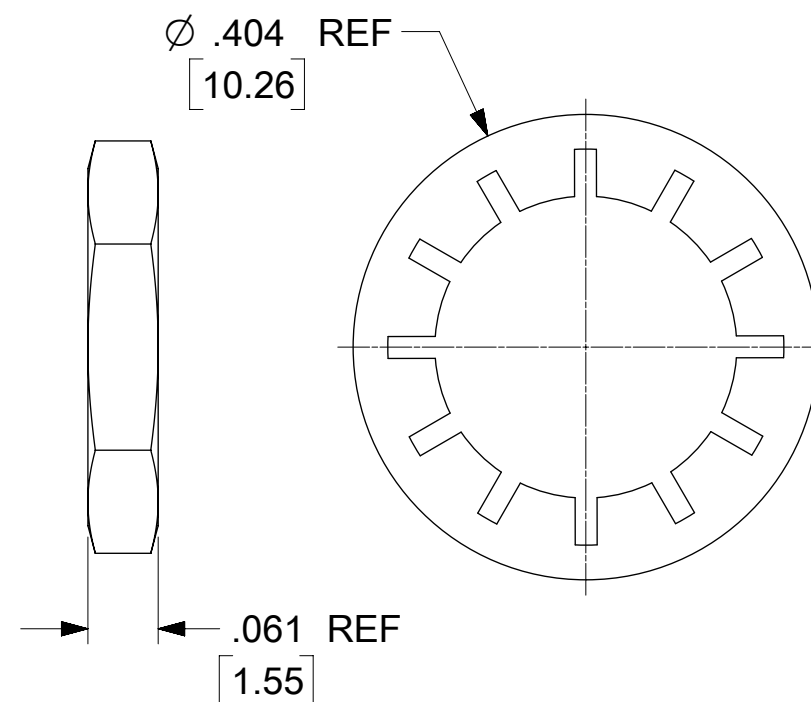
1/4-36 UNS-2A



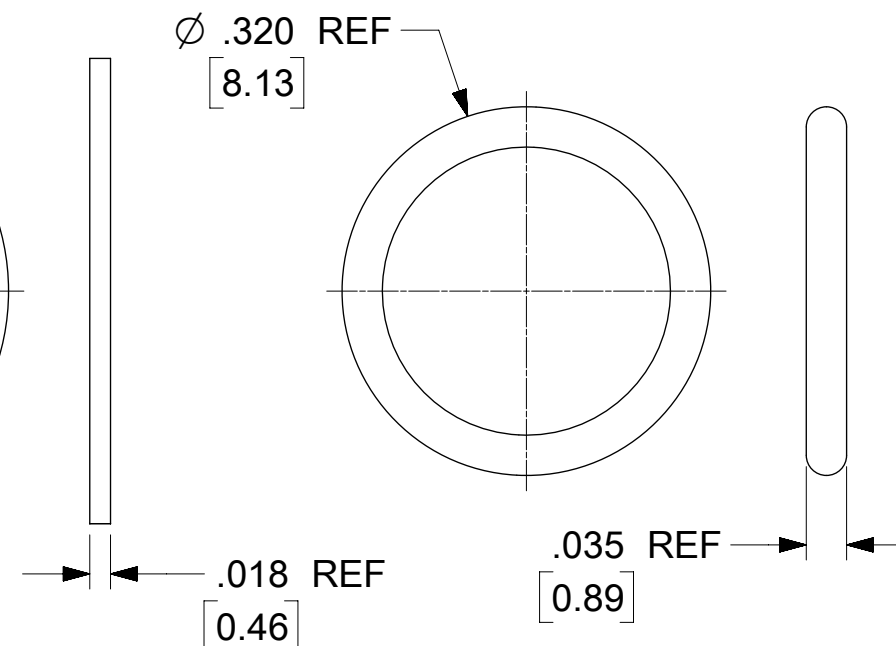
**RECOMMENDED
 PCB HOLE PATTERN**



**.310 REF
 [7.87]
 HEX**



**∅ .404 REF
 [10.26]**



**∅ .320 REF
 [8.13]**

73251-9761	NOT INCLUDED	NA	NOT INCLUDED	NA	NOT INCLUDED	NA
73251-9760	INCLUDED	89674-1613	INCLUDED	89674-1509	INCLUDED	89674-4313
PART NO.	JAM NUT	LOCK WASHER	O-RING			

<p>SYMBOLS</p> <p>THIS DRAWING CONTAINS INFORMATION THAT IS PROPRIETARY TO MOLEX ELECTRONIC TECHNOLOGIES, LLC AND SHOULD NOT BE USED WITHOUT WRITTEN PERMISSION</p>											
<p>THIS DRAWING CONTAINS INFORMATION THAT IS PROPRIETARY TO MOLEX ELECTRONIC TECHNOLOGIES, LLC AND SHOULD NOT BE USED WITHOUT WRITTEN PERMISSION</p>		<p>SCALE</p> <p>INCH</p>		<p>CURRENT REV DESC: RELEASED</p>							
<p>GENERAL TOLERANCES (UNLESS SPECIFIED)</p>		<p>MM</p>		<p>INCH</p>		<p>EC NO: 173818</p>		<p>DRWN: APRAKASH01 2018/03/16</p>		<p>DRWN: APRAKASH01 2018/05/28</p>	
<p>4 PLACES ±</p>		<p>±</p>		<p>± 0.01</p>		<p>CHK'D: APRAKASH01 2018/05/30</p>		<p>APPR: AROBERTSON 2018/05/30</p>		<p>INITIAL REVISION:</p>	
<p>3 PLACES ±</p>		<p>± 0.25</p>		<p>±</p>		<p>DRWN: APRAKASH01 2018/05/28</p>		<p>APPR: AROBERTSON 2018/05/28</p>		<p>DOCUMENT NUMBER</p>	
<p>2 PLACES ±</p>		<p>±</p>		<p>±</p>		<p>ANGULAR TOL ± 2.0°</p>		<p>THIRD ANGLE PROJECTION</p>		<p>DRAWING</p>	
<p>1 PLACE ±</p>		<p>±</p>		<p>±</p>		<p>DRAFT WHERE APPLICABLE MUST REMAIN WITHIN DIMENSIONS</p>		<p>C-SIZE</p>		<p>SERIES</p>	
<p>0 PLACES ±</p>		<p>±</p>		<p>±</p>		<p>SEE TABLE</p>		<p>CUSTOMER</p>		<p>SHEET NUMBER</p>	
<p>ANGULAR TOL ± 2.0°</p>		<p>THIRD ANGLE PROJECTION</p>		<p>DRAWING</p>		<p>SERIES</p>		<p>MATERIAL NUMBER</p>		<p>CUSTOMER</p>	
<p>DRAFT WHERE APPLICABLE MUST REMAIN WITHIN DIMENSIONS</p>		<p>THIRD ANGLE PROJECTION</p>		<p>DRAWING</p>		<p>SERIES</p>		<p>MATERIAL NUMBER</p>		<p>CUSTOMER</p>	
<p>THIRD ANGLE PROJECTION</p>		<p>DRAWING</p>		<p>SERIES</p>		<p>73251</p>		<p>732519760</p>		<p>PSD 000 A</p>	
<p>C-SIZE</p>		<p>73251</p>		<p>73251</p>		<p>73251</p>		<p>73251</p>		<p>1 OF 1</p>	

molex

**SMA-RP JACK VERTICAL IP68
 PCB TH TREPAN/GASKET, SMA-RP-J/PCB, EWR-11889**

PRODUCT CUSTOMER DRAWING