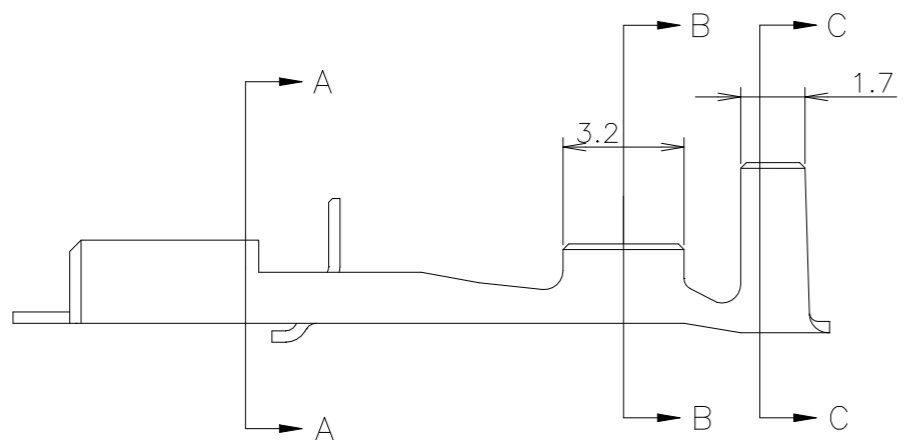
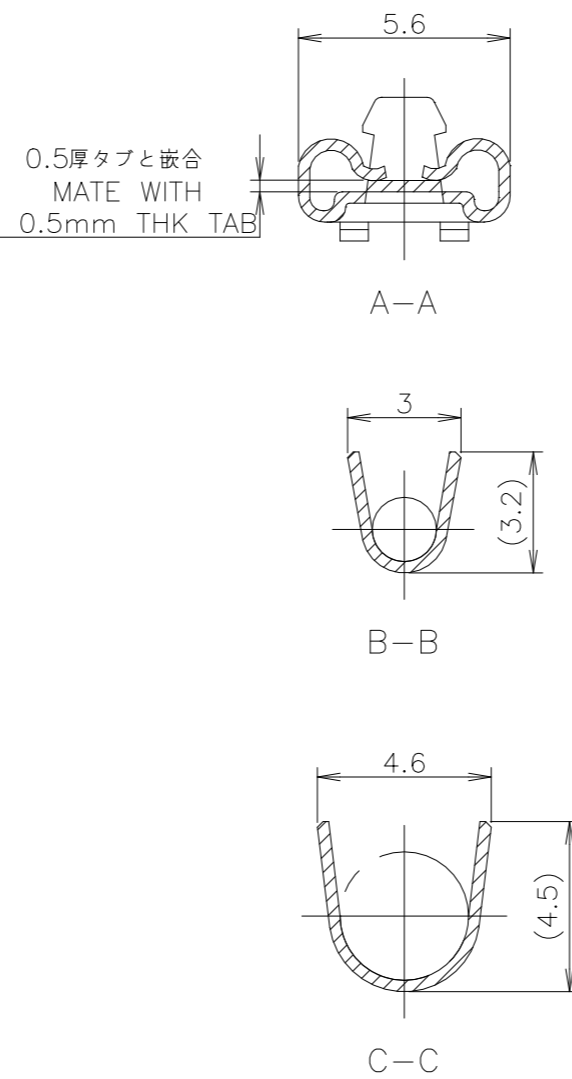
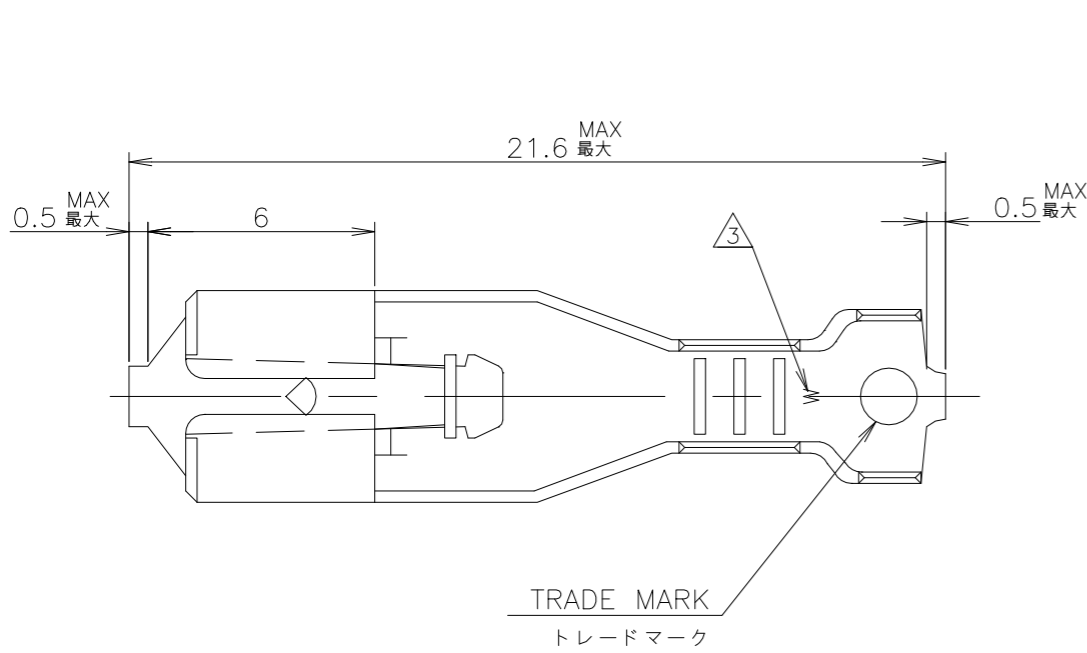


P	LTR	DESCRIPTION	DATE	DWN	APVD
	J2	REVISED PER ECR-23-178879	02JUL2023	DB	DT

—\*; AS SHOWN



- 1 適用ハウジング型番  
172074, 172075
- 1 APPLICABLE HOUSING P/N  
172074, 172075
- 2 PARTS 170325-7 & 170331-7 WERE APPLIED  
NYE LUBE.
- △3 ADD 'W' MARK, LOCATED APPROX AS SHOWN.  
FOR 3-170325-1 ONLY
- △4 WITH INTERLEAVING PAPER

△4	170331-1	錫めっき済黄銅 0.3t PRE-TIN BRASS 0.3t THK	170325-9
△3	—H—	PRE-TIN BRASS 0.3t THK	3-170325-7
	170331-7	170325-1	170325-7
	—H—	錫めっき済高耐熱銅合金 0.3t PRE-TIN HIGH HEAT RESISTANCE COPPER ALLOY 0.3t THK	170325-6
	—H—	錫めっき済りん青銅 0.3t PRE-TIN PHOS BRO 0.3t THK	170325-5
OBSOLETE	170331-2	ニッケルめっき仕上りん青銅 0.3t PHOS BRO 0.3t THK NICKEL PL	170325-2
	170331-1	錫めっき済黄銅 0.3t PRE-TIN BRASS 0.3t THK	170325-1
	ばら状端子型番 LOOSE PIECE P/N	材料 MATERIAL	型番 STRIP FORM P/N
	WIRE RANGE 抱合電線断面積	AWG#20-#16 0.51~1.38 mm <sup>2</sup>	INSULATION DIA 被覆外径 1.9~3.4 mm $\phi$

THIS DRAWING IS A CONTROLLED DOCUMENT.

DIMENSIONS: 単位: 耗 mm	TOLERANCES UNLESS OTHERWISE SPECIFIED: 一般公差
	0 PLC ±-
	1 PLC ±-
	2 PLC ±-
	3 PLC ±-
	4 PLC ±-
	ANGLES ±-
	FINISH 仕上 ±-

GENERAL TOLERANCE 一般公差
10 ≥ : ±0.2
30 ≥ > 10: ±0.25
100 ≥ > 30: ±0.3
ANGLES: ±3°

MATERIAL 材料	SEE TABLE
----------------	-----------

DWN	M.SUZUKI	04AUG1998
CHK	H.TAGUCHI	04AUG1998
APVD	H.TAGUCHI	04AUG1998
PRODUCT SPEC	製品規格	108-5126
APPLICATION SPEC	取付適用規格	114-5041
WEIGHT	0.000000	

**STE** TE Connectivity

NAME 名称: 187 SERIES POSITIVE LOCK MARK II REC.  
187シリーズポジティブロック(マークII)リセプタクル

SIZE	CAGE CODE	DRAWING NO 番号	RESTRICTED TO
A3	00779	C=170325	—

SCALE 尺度: 5:1 SHEET 1 OF 1 REV J2