

Panel Mount Pushbutton Switch for Intensive Use and Easy Installation



Designed for Applications Requiring Repeated Use

Unique push-in bezel simplifies installation

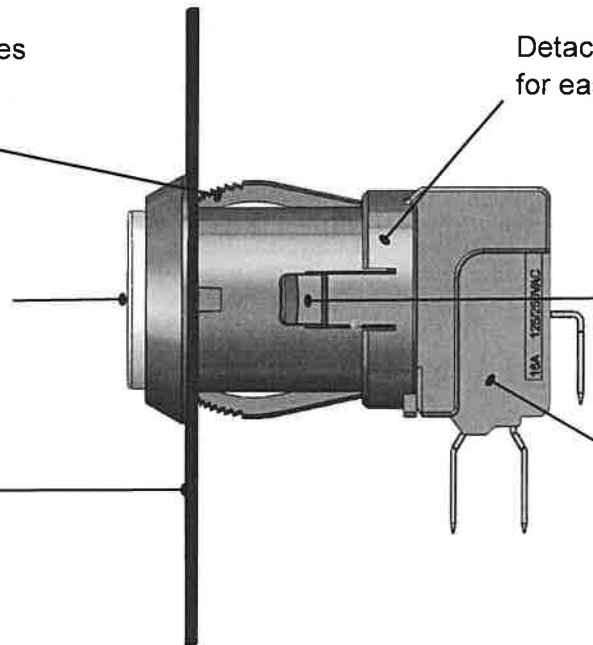
Illuminated plunger with custom markings optional

Fits wide range of panel thicknesses

Detachable switch and actuator sections for easy on-site assembly

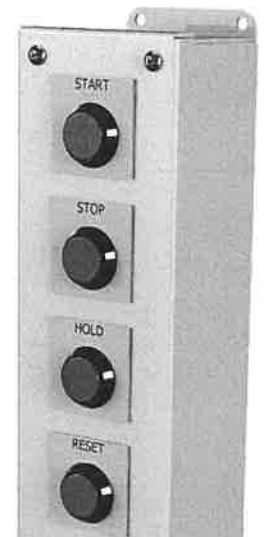
Robust industrial grade design

Instantaneous make-break intensive-use switch for long life and reliable operation



Applications:

- Industrial Controls
- Arcade Game Machines
- Vending Machines



For more information, please email us at info@rdiusa.com