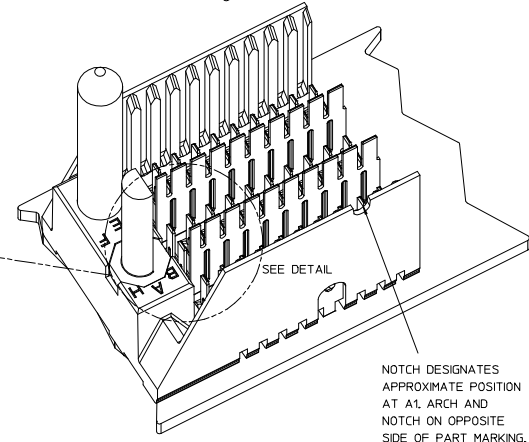
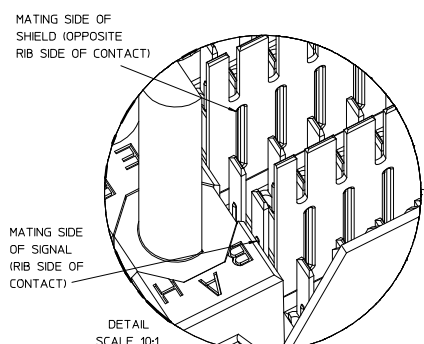
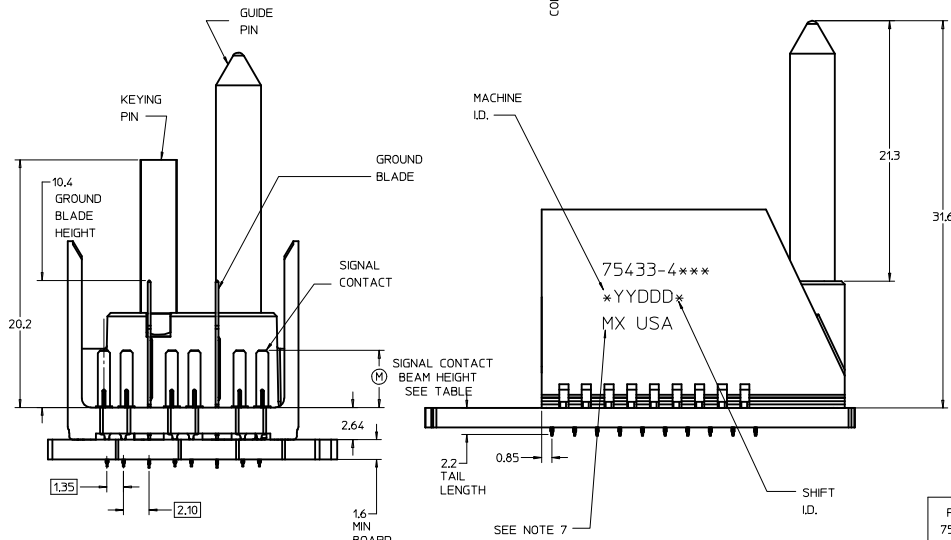
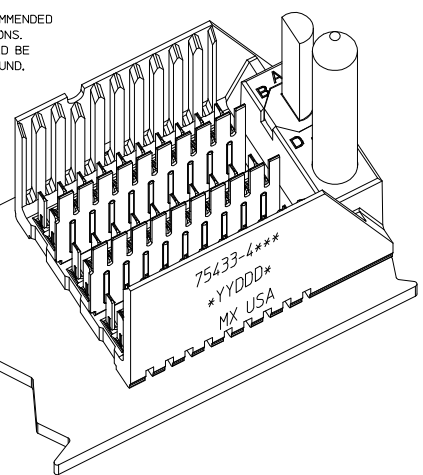
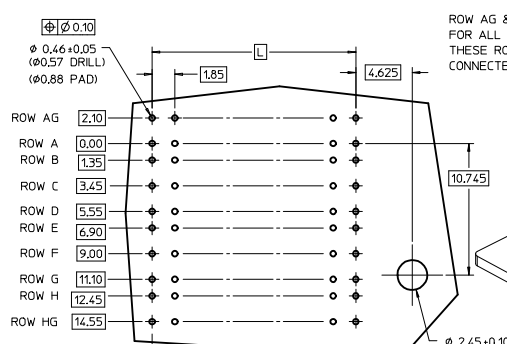
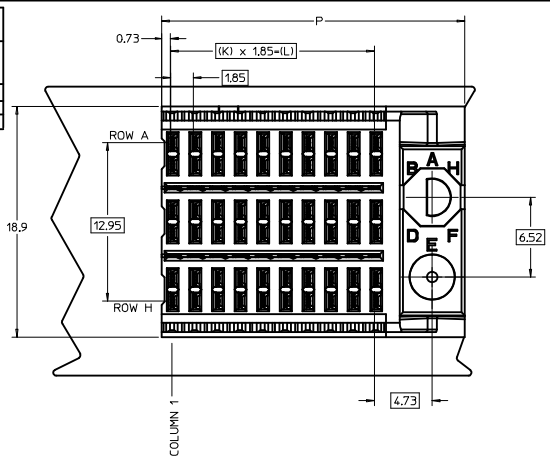


PART NUMBER TABLE				
ASSY PART NO.	K	L	P	TOTAL NO. OF DIFFERENTIAL PAIRS
75433-41**	9	16.65	24.78	30
75433-42**	24	44.40	52.53	75
75433-45**	4	7.40	15.53	15

LEAD-FREE PLATING



NOTES:

- MATERIAL: HOUSING - LIQUID CRYSTAL POLYMER (LCP) GLASS-FILLED, UL 94V-0, COLOR - GRAY. SIGNAL CONTACT AND GROUND BLADE - HIGH PERFORMANCE COPPER ALLOY.
- FINISHES: SELECTIVE GOLD (Au) ON CONTACT AREA. SELECTIVE MATTE TIN (Sn) ON PCB TAILS. NICKEL (Ni) OVERALL.
- THIS PART CONFORMS TO MOLEX PRODUCT SPECIFICATION PS-75221-999.
- FOR MIXED CONTACT MATING LENGTHS CONSULT MOLEX FOR AVAILABILITY. CONTACT PAIRS MUST BE THE SAME LENGTH.
- FOR SPECIFIC PART NUMBER AND MATING INFORMATION PLEASE REFER TO CHART.
- PACKAGE PER PK-70873-572.
- EITHER MARK PART NUMBER AND DATE CODE APPROXIMATELY WHERE SHOWN OR PLACE A LABEL ON THE TUBE.
- OPTIONAL HOLE LOCATION FOR GROUNDED GUIDE PIN OR ADDITIONAL GUIDE PIN SUPPORT, FOR GROUNDED GUIDE PIN, HOLE TO BE PLATED, DRILL SIZE Ø2.58, PAD SIZE Ø5.50
- THESE PARTS CONFORM TO MOLEX COSMETIC SPECIFICATION PS-45499-002 CLASS B.
- MAPS (MOLEX ADVANCED PLATING SYSTEMS).

MODULE ORIENTATION
RIGHT - 4

KEYING ORIENTATION
0=NONE
1=A
2=B
ETC...

75433-4 ** * *

COLUMN
1-10 COL
2-25 COL
5- 5 COL

PIN LENGTH DIM "M"	GOLD (Au) THICKNESS micrometers
0-3.55 mm	0.25 (MAPS)
1-4.55 mm	
2-5.55 mm	
3-3.55 mm	0.76
4-4.55 mm	
5-5.55 mm	
7-3.55 mm	
8-4.55 mm	1.27
9-5.55 mm	

P/N	---0*	---1*	---2*	---3*	---4*	---5*	---6*	---7*	---8*
75433-()	0	A	B	C	D	E	F	G	H
KEYING PIN ORIENTATION									

THE PRIMARY CARTON WITH A LABEL STATING 'ELV AND ROHS COMPLAINT' IS LEAD FREE. CARTONS WITHOUT THIS LABEL MAY CONTAIN LEAD.

REV TO LEAD-FREE EC NO: LCP 2013-0690 D DRAWINGS 2012/09/05 CHYKOWITZ 2012/09/07 APPROVALS 2012/12/05 APPR: MILLER REV DESCRIPTION	QUALITY SYMBOLS ▽=0 ▽=0 ▽=0	GENERAL TOLERANCES (UNLESS SPECIFIED) DIM mm INCH 4 PLACES ± --- ± --- 3 PLACES ± --- ± --- 2 PLACES ± 0.25 ± --- 1 PLACE ± 0.38 ± --- 0 PLACE ± ±	DIMENSION STYLE MM ONLY SCALE 5:1 DESIGN UNITS METRIC THIRD ANGLE PROJECTION	DRAWN BY DATE NMARTIN 2005/02/20 CHECKED BY DATE SREED 2005/02/20 APPROVED BY DATE CBIXLER 2005/02/20	TITLE GBX 3-PAIR LF RIGHT END BACKPLANE SALES ASSEMBLY molex DOCUMENT NO. SD-75433-410 SHEET NO. 1 OF 1
	MATERIAL NO. SEE CHART ANGLE ±1/2° DRAFT WHERE APPLICABLE MUST REMAIN WITHIN DIMENSIONS	THIS DRAWING CONTAINS INFORMATION THAT IS PROPRIETARY TO MOLEX INCORPORATED AND SHOULD NOT BE USED WITHOUT WRITTEN PERMISSION			
	SIZE D				
	DATE 2012/09/05				