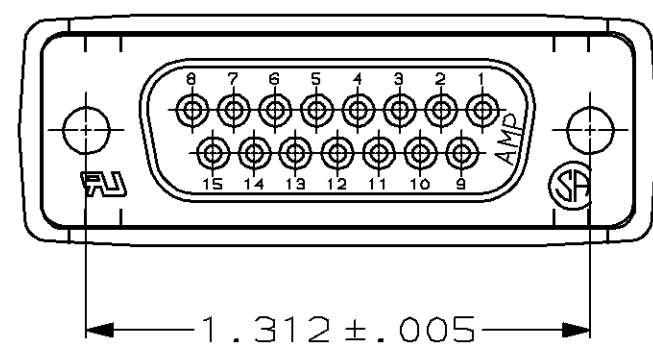
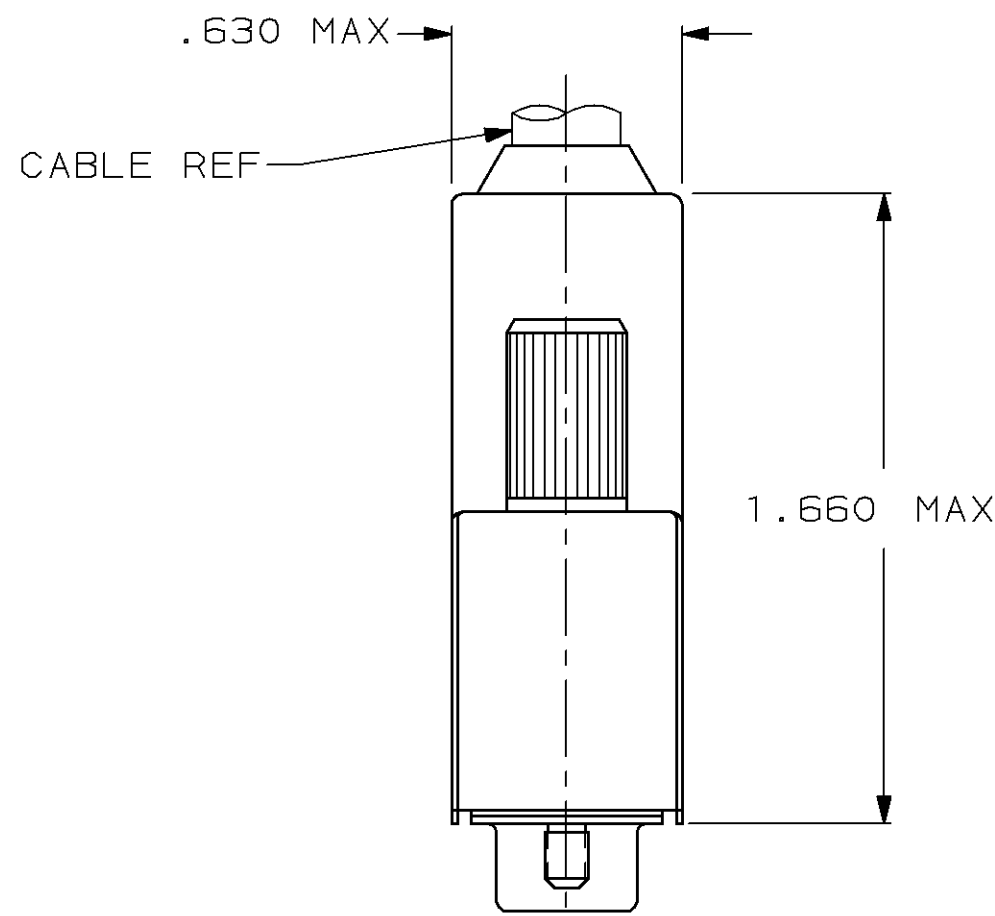
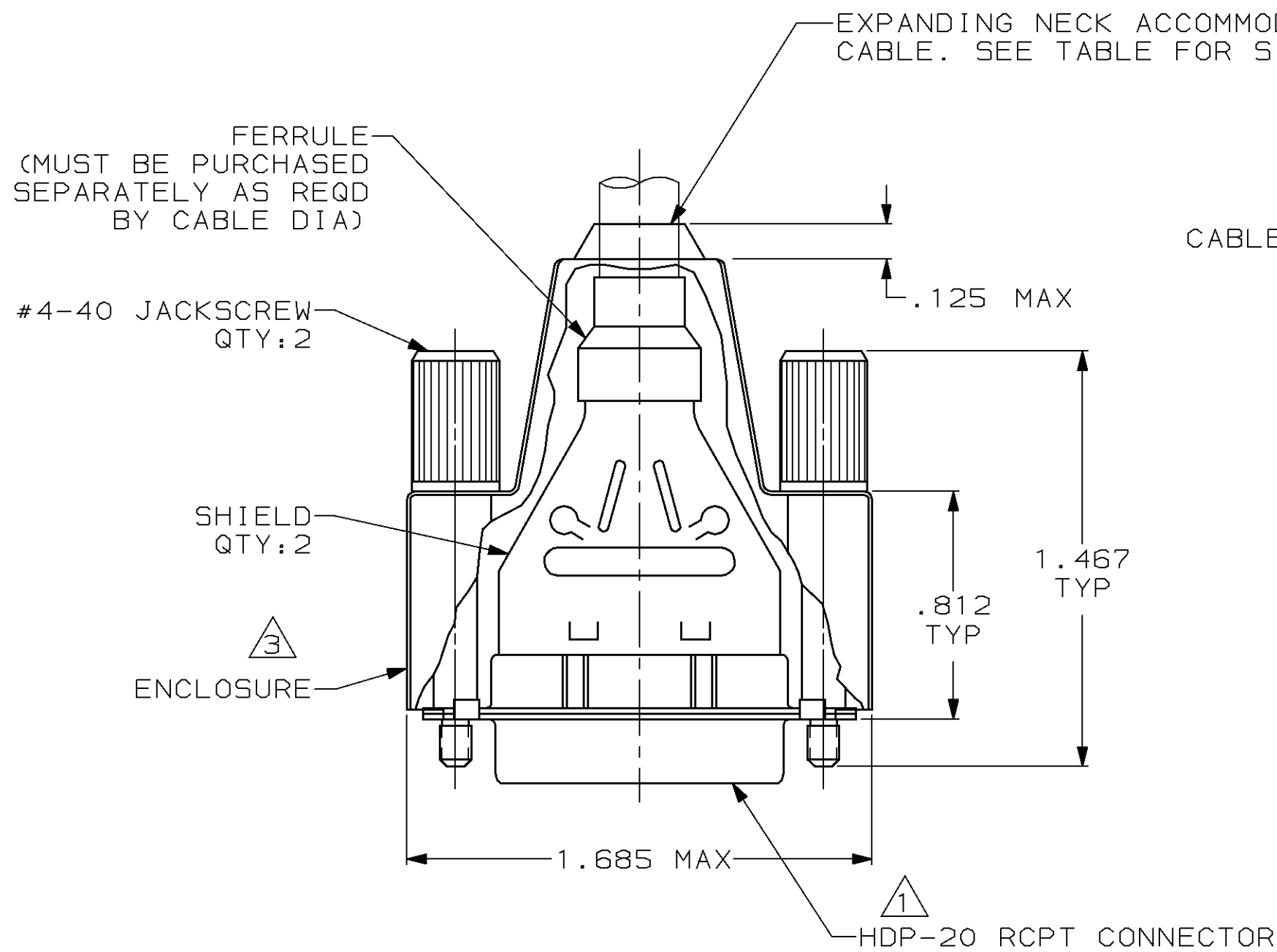


THIS DRAWING IS UNPUBLISHED. RELEASED FOR PUBLICATION  
 © COPYRIGHT 19 BY AMP INCORPORATED. ALL INTERNATIONAL RIGHTS RESERVED.

LOC	DIST	P	F	ZONE	LTR	REVISIONS		
						DESCRIPTION	DATE	APPD
BD	48				F	ADDED -6, WAS 90-5848-14-3 & REDRAWN PER NPR 3091	6-4-90	-
					G	REV PER ECN BD4814	05/31/91	-
					H	REV PER ECN BD5049	7-2-91	TS
					J	ADDED-7 NPR 3712, WAS 91-5848-2-1	08/30/91	TMS
					K	REVISED PER ECN BD6133	04/02/92	TMS
					L	OBS -2, -4 PER ECN BD6177	06/18/92	TS
					M	ADDED -8 PER NPR 4263	07/10/92	SB
					N	REACTIVATED -2 EC 0020-1274-93	10/01/93	SB
					P	OBS -6 PER EC 0020-1514-93	04/15/94	LF
					R	ADDED -9 PER EC 0020-40-95	01/18/95	JS
					S	REV PER EC 0020-373-95	04/25/95	JS
					T	REV PER EC 0020-602-95	06/13/95	JS
					U	REV PER EC 0020-1011-95	13 OCT 95	JCS
					V	OBS -3, -7 PER EC 0020-724-95	11 MAR 96	JCS
					W	OBS -2 PER EC 0020-524-96	23 AUG 96	LF
					Y	OBS -9 PER EC 0420-143-96	10 NOV 97	SB



- 1 RCPT ACCEPTS SIZE 20 DF SOCKET CONTACTS. CONTACTS MUST BE PURCHASED SEPARATELY.
- 2. ALL PARTS SHIPPED UNASSEMBLED.
- 3 FLAME RETARDANT 94V-0 RATED, STYRENE POLYOLEFIN OR PVC, BLACK.
- 4 FLAME RETARDANT 94V-0 RATED GLASS FILLED, NYLON OR POLYESTER, BLACK.
- 5 STEEL PER ASTM A109.
- 6 TIN PLATING PER MIL-T-10727.
- 7 BODY: BLACK ELECTROLESS NICKEL PER QQ-N-290.
- 8 COMPONENTS INDIVIDUALLY BULK PACKED.
- 9 INDIVIDUAL KIT PACKAGING OF COMPONENTS.
- 10 SEE RESTRICTED CUSTOMER DRAWING 747953-8.
- 11 ZINC ALLOY.
- 12 BODY: CARBON STEEL PER ASTM A 108. HEAD: PVC 94V-0 RATED, BLACK.
- 13 PHOS-E COATING, BLACK.

OBsolete	CABLE SIZE	PACKAGING	ENCLOSURE WITH MOUNTING HOLES	JACKSCREWS	JACKSCREWS FINISH	JACKSCREWS MATERIAL	WITH LOGO	PART NO
OBsolete	.190-.375 DIA	8	YES	YES	7	12	YES	747953-9
OBsolete	-	-	-	-	-	-	-	10
OBsolete	.250-.425 DIA	8	YES	YES	13	11	YES	747953-7
OBsolete	.190-.375 DIA	8	YES	NO	-	-	NO	747953-6
OBsolete	.190-.375 DIA	9	YES	YES	13	11	YES	747953-5
OBsolete	.190-.375 DIA	8	NO	NO	-	-	NO	747953-4
OBsolete	.190-.375 DIA	8	NO	NO	-	-	YES	747953-3
OBsolete	.190-.375 DIA	8	YES	YES	13	11	NO	747953-2
OBsolete	.190-.375 DIA	8	YES	YES	13	11	YES	747953-1

CABLE SIZE	PACKAGING	ENCLOSURE WITH MOUNTING HOLES	JACKSCREWS	JACKSCREWS FINISH	JACKSCREWS MATERIAL	WITH LOGO	PART NO
DO NOT SCALE PRINT. UNLESS SPECIFIED DIMENSIONS IN INCHES TOLERANCES ON : 2 PLC DEC ± - 3 PLC DEC ± .020 ANGLES ± -			DR 6-4-90 J GALLUCCI BG	AMP INCORPORATED Harrisburg, Pa. 17105			
MATERIAL INSERT: 4 SHELLS & SHIELDS: 5 JACKSCREWS: SEE TABLE			CHK 8-22-90 J. McCLINTON				
FINISH SHELLS & SHIELDS: 6 JACKSCREWS: SEE TABLE			APPD 8-23-90 BOB TAYLOR	NAME BULK KIT, RCPT, AMPLIMIT™, SHIELDING ENCLOSURE, 15 POSN, SIZE 2, HDP-20			
			APPD 8-23-90 J. ASSINI	SIZE C 00779			
			PRODUCT SPEC -	DRAWING NO 747953			
			APPLICATION SPEC -	SCALE 2:1			
			WEIGHT -	SHEET 1 OF 1			