

4

3

2

1

THIS DRAWING IS UNPUBLISHED.

RELEASED FOR PUBLICATION

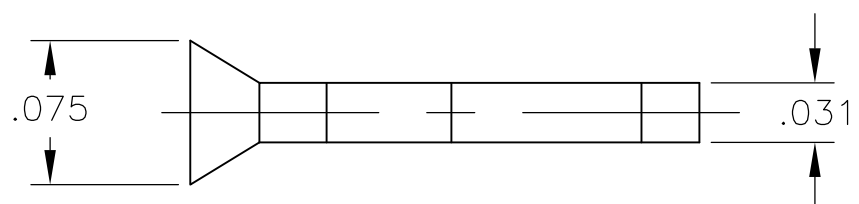
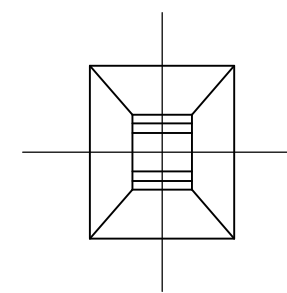
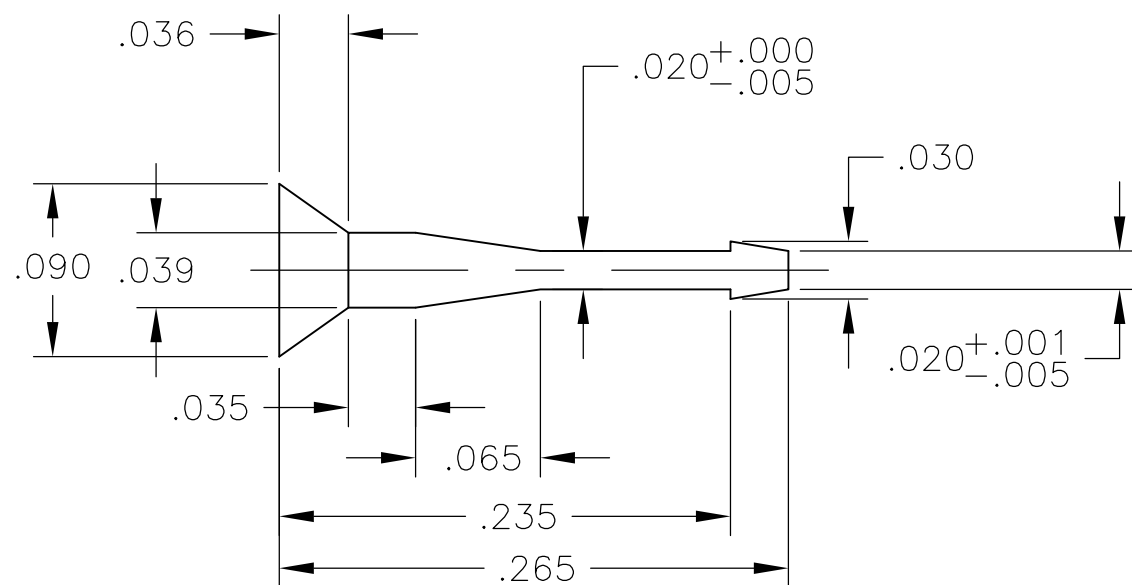
© COPYRIGHT - By -

ALL RIGHTS RESERVED.


LOC AD DIST 00

REVISIONS

P	LTR	DESCRIPTION	DATE	DWN	APVD
C1		REVISED PER ECO-11-004917	11MAR11	RK	HMR



86286-1 AS SHOWN

THIS DRAWING IS A CONTROLLED DOCUMENT.		DWN R BROWN 17OCT01	 TE Connectivity			
DIMENSIONS: INCHES		CHK J OLSON 17OCT01				NAME
TOLERANCES UNLESS OTHERWISE SPECIFIED:		APVD J OLSON 17OCT01	KEYING PLUG FOR MOD II, AND IV			
<ul style="list-style-type: none"> 0 PLC ± - 1 PLC ± - 2 PLC ± - 3 PLC ± .003 4 PLC ± - ANGLES ± - 		PRODUCT SPEC -	RESTRICTED TO -			
MATERIAL NYLON 6/6 COLOR: NATURAL		FINISH -	APPLICATION SPEC -	SIZE A3	CAGE CODE 00779	DRAWING NO C-86286
		WEIGHT -	CUSTOMER DRAWING	SCALE 10:1	SHEET 1 OF 1	REV C1