

## EG 22,5-A/ABS GN


Order No.: 2764072

Illustration shows a fully mounted version of the electronic housing

<http://eshop.phoenixcontact.de/phoenix/treeViewClick.do?UID=2764072>

Housing cover, for connection on both sides

### Commercial data

GTIN (EAN)	 4 017918 065829
sales group	F020
Pack	25 pcs.
Customs tariff	85369010
Catalog page information	Page 568 (CC-2009)

### Product notes

WEEE/RoHS-compliant since:  
01/01/2003

<http://www.download.phoenixcontact.com>  
Please note that the data given here has been taken from the online catalog. For comprehensive information and data, please refer to the user documentation. The General Terms and Conditions of Use apply to Internet downloads.

### Technical data

#### General

Housing type	Upper part
Housing material	ABS
Color	green

#### Dimensions / positions

Length	75 mm
--------	-------

Width	22.5 mm
Number of positions	8

**Technical data**

Ambient temperature (operation)	80 °C
Inflammability class acc. to UL 94	HB

**Accessories**

Item	Designation	Description
<b>Assembly</b>		
1909236	FKCT 2,5/ 4-ST	Plug component, Nominal current: 12 A, Rated voltage (III/2): 320 V, Number of positions: 4, Pitch: 5 mm, Color: green, Metal surface: Sn

**General**

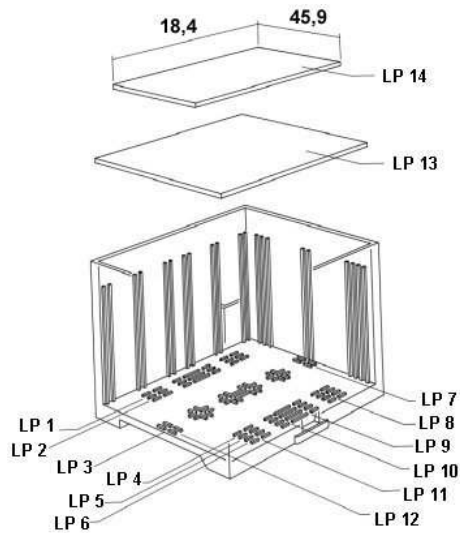
1902136	FKCT 2,5/ 4-ST-5,08	Plug component, Nominal current: 12 A, Rated voltage (III/2): 320 V, Number of positions: 4, Pitch: 5.08 mm, Color: green, Metal surface: Sn
1721045	MKKDSH 3/ 2	PC terminal block, Nominal current: 24 A, Nom. voltage: 250 V, Pitch: 5 mm, Number of positions: 2, Type of connection: Screw connection, Mounting: Soldering, Conductor/PCB connection direction: 0 °, Color: green, The article can be aligned to create different nos. of positions!
1721346	MKKDSH 3/ 3	PC terminal block, Nominal current: 24 A, Nom. voltage: 250 V, Pitch: 5 mm, Number of positions: 3, Type of connection: Screw connection, Mounting: Soldering, Conductor/PCB connection direction: 0 °, Color: green, The article can be aligned to create different nos. of positions!
1706374	MKKDSH 3/ 4 O.Z.	PC terminal block, Pitch: 5 mm, Number of positions: 4, Type of connection: Screw connection, Conductor/PCB connection direction: 0 °, Color: green
1792540	MVSTBW 2,5/ 4-ST	Plug component, Nominal current: 12 A, Rated voltage (III/2): 320 V, Number of positions: 4, Pitch: 5 mm, Color: green, Metal surface: Sn
1792773	MVSTBW 2,5/ 4-ST-5,08	Plug component, Nominal current: 12 A, Rated voltage (III/2): 320 V, Number of positions: 4, Pitch: 5.08 mm, Color: green, Metal surface: Sn

**Plug/Adapter**

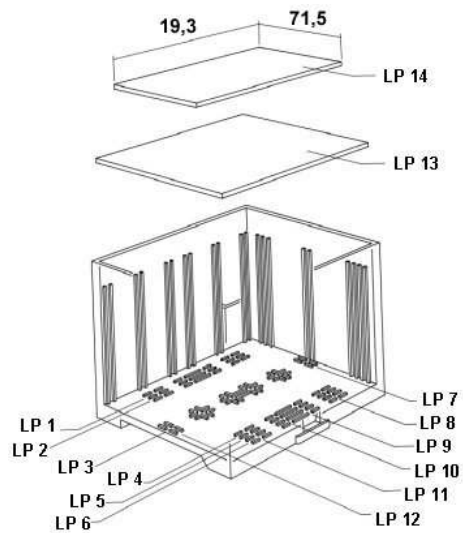
1784299	MVSTBW 2,5/ 4-STEH	Plug component, Nominal current: 12 A, Rated voltage (III/2): 320 V, Number of positions: 4, Pitch: 5 mm, Color: green, Metal surface: Sn
---------	--------------------	---

**Diagrams/Drawings**

Explosion drawing

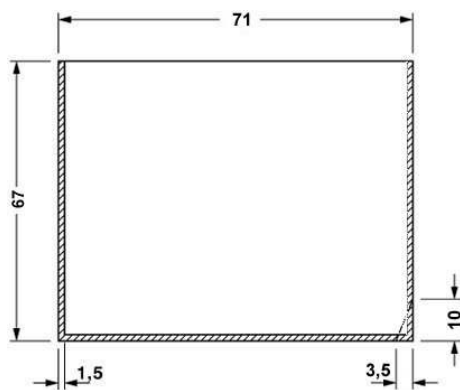


valid for PCB 14

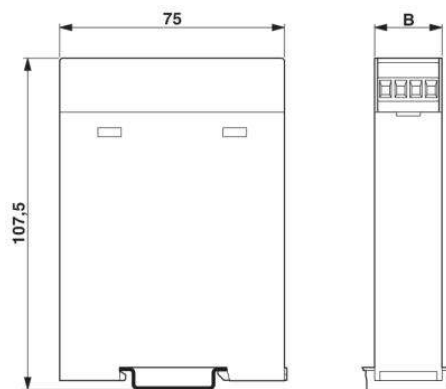


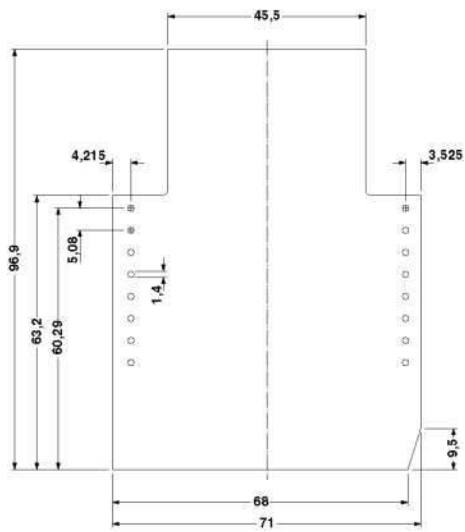
valid for PCB 13

Dimensioned drawing

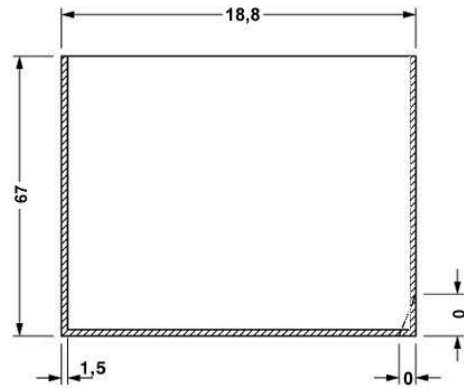


valid for PCB 7, see explosion drawing





Component mounting side, if the double-level upper part is used



valid for PCB 1, see explosion drawing

**Address**

PHOENIX CONTACT Deutschland GmbH  
Flachmarktstr. 8  
32825 Blomberg, Germany  
Phone +49 5235 3 12000  
Fax +49 5235 3 41200  
<http://www.phoenixcontact.de>



© 2010 Phoenix Contact  
Technical modifications reserved;