

N-Channel Super Junction Power MOSFET III

General Description

The series of devices use advanced trench gate super junction technology and design to provide excellent $R_{DS(ON)}$ with low gate charge. This super junction MOSFET fits the industry's AC-DC SMPS requirements for PFC, AC/DC power conversion, and industrial power applications.

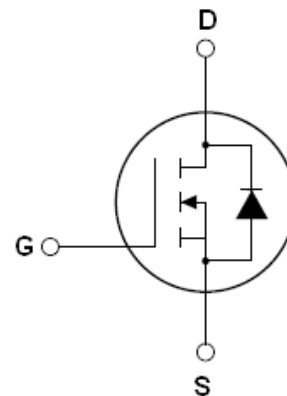
Features

- New technology for high voltage device
- Low on-resistance and low conduction losses
- Small package
- Ultra Low Gate Charge cause lower driving requirements
- 100% Avalanche Tested
- ROHS compliant
- Halogen-free

Application

- Power factor correction (PFC)
- Switched mode power supplies(SMPS)
- Uninterruptible Power Supply (UPS)

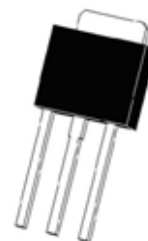
| | | |
|-----------------|-----|------------|
| V_{DS} | 700 | V |
| $R_{DS(ON)TYP}$ | 540 | m Ω |
| I_D | 8 | A |



Schematic diagram

Package Marking And Ordering Information

| Device | Device Package | Marking |
|-----------|----------------|---------|
| RM8N700IP | TO-251 | 8N700 |
| RM8N700LD | TO-252 | 8N700 |



TO-251



TO-252

Table 1. Absolute Maximum Ratings ($T_c=25^\circ\text{C}$)

| Parameter | Symbol | Value | Unit |
|---|-----------------|----------|---------------------|
| Drain-Source Voltage ($V_{GS}=0V$) | V_{DS} | 700 | V |
| Gate-Source Voltage ($V_{DS}=0V$), AC ($f>1\text{ Hz}$) | V_{GS} | ± 30 | V |
| Continuous Drain Current at $T_c=25^\circ\text{C}$ | $I_{D(DC)}$ | 8 | A |
| Continuous Drain Current at $T_c=100^\circ\text{C}$ | $I_{D(DC)}$ | 5.2 | A |
| Pulsed drain current (Note 1) | $I_{DM(pluse)}$ | 32 | A |
| Maximum Power Dissipation($T_c=25^\circ\text{C}$) | P_D | 69 | W |
| Derate above 25°C | | 0.55 | W/ $^\circ\text{C}$ |
| Single pulse avalanche energy (Note2) | E_{AS} | 156 | mJ |
| Avalanche current (Note 1) | I_{AR} | 1.7 | A |
| Repetitive Avalanche energy, t_{AR} limited by T_{jmax} (Note 1) | E_{AR} | 0.3 | mJ |

| Parameter | Symbol | Value | Unit |
|--|----------------|------------|------|
| Drain Source voltage slope, $V_{DS} \leq 480$ V, | dv/dt | 50 | V/ns |
| Reverse diode dv/dt, $V_{DS} \leq 480$ V, $I_{SD} < I_D$ | dv/dt | 15 | V/ns |
| Operating Junction and Storage Temperature Range | T_J, T_{STG} | -55...+150 | °C |

Table 2. Thermal Characteristic

| Parameter | Symbol | Value | Unit |
|---|------------|-------|-------|
| Thermal Resistance, Junction-to-Case (Maximum) | R_{thJC} | 1.81 | °C /W |
| Thermal Resistance, Junction-to-Ambient (Maximum) | R_{thJA} | 62 | °C /W |

Table 3. Electrical Characteristics (TA=25°C unless otherwise noted)

| Parameter | Symbol | Condition | Min | Typ | Max | Unit |
|--|--------------|---|-----|------|-----------|------------|
| On/off states | | | | | | |
| Drain-Source Breakdown Voltage | BV_{DSS} | $V_{GS}=0V, I_D=250\mu A$ | 700 | | | V |
| Zero Gate Voltage Drain Current($T_C=25^\circ C$) | I_{DSS} | $V_{DS}=700V, V_{GS}=0V$ | | | 1 | μA |
| Zero Gate Voltage Drain Current($T_C=125^\circ C$) | I_{DSS} | $V_{DS}=700V, V_{GS}=0V$ | | | 100 | μA |
| Gate-Body Leakage Current | I_{GSS} | $V_{GS}=\pm 20V, V_{DS}=0V$ | | | ± 100 | nA |
| Gate Threshold Voltage | $V_{GS(th)}$ | $V_{DS}=V_{GS}, I_D=250\mu A$ | 3 | | 4 | V |
| Drain-Source On-State Resistance | $R_{DS(ON)}$ | $V_{GS}=10V, I_D=4A$ | | 540 | 600 | m Ω |
| Dynamic Characteristics | | | | | | |
| Input Capacitance | C_{iss} | $V_{DS}=50V, V_{GS}=0V,$ $F=1.0MHz$ | | 590 | | pF |
| Output Capacitance | C_{oss} | | | 37 | | pF |
| Reverse Transfer Capacitance | C_{rss} | | | 0.9 | | pF |
| Total Gate Charge | Q_g | $V_{DS}=480V, I_D=8A,$ $V_{GS}=10V$ | | 14.6 | 22 | nC |
| Gate-Source Charge | Q_{gs} | | | 4 | | nC |
| Gate-Drain Charge | Q_{gd} | | | 6.7 | | nC |
| Switching times | | | | | | |
| Turn-on Delay Time | $t_{d(on)}$ | $V_{DD}=420V, I_D=4A,$ $R_G=4.7\Omega, V_{GS}=10V$ | | 9 | | nS |
| Turn-on Rise Time | t_r | | | 6.5 | | nS |
| Turn-Off Delay Time | $t_{d(off)}$ | | | 61 | | nS |
| Turn-Off Fall Time | t_f | | | 10 | | nS |
| Source- Drain Diode Characteristics | | | | | | |
| Source-drain current(Body Diode) | I_{SD} | $T_C=25^\circ C$ | | | 8 | A |
| Pulsed Source-drain current(Body Diode) | I_{SDM} | | | | 32 | A |
| Forward On Voltage | V_{SD} | $T_J=25^\circ C, I_{SD}=8A, V_{GS}=0V$ | | 0.9 | 1.2 | V |
| Reverse Recovery Time | t_{rr} | $T_J=25^\circ C, I_F=4A, di/dt=100A/\mu s$ | | 230 | | nS |
| Reverse Recovery Charge | Q_{rr} | | | | 1.2 | μC |
| Peak Reverse Recovery Current | I_{rrm} | | | | 10.5 | A |

Notes: 1.Repetitive Rating: Pulse width limited by maximum junction temperature

2. $T_J=25^\circ C, V_{DD}=50V, V_G=10V, R_G=25\Omega$

RATING AND CHARACTERISTICS CURVES (RM8N700LD(IP))

Figure1. Safe operating area

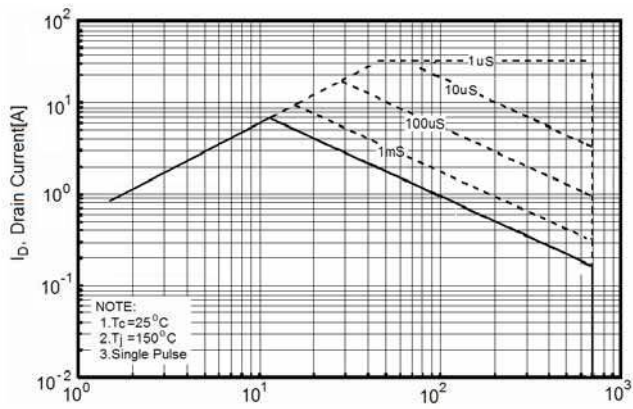


Figure2. Transient Thermal Impedance

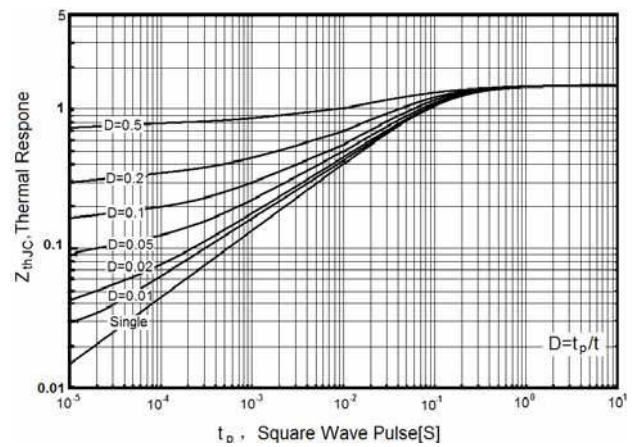


Figure3. Source-Drain Diode Forward Voltage

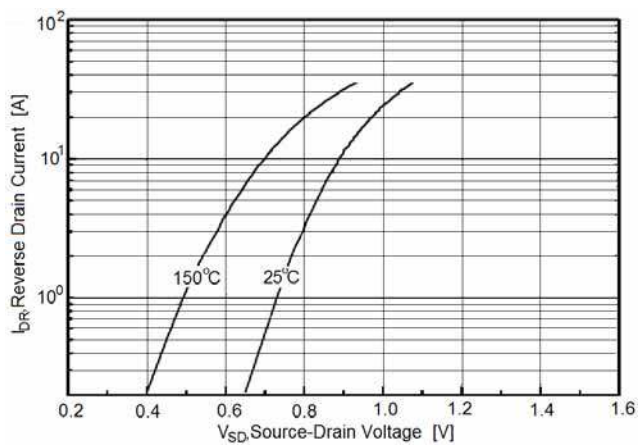


Figure4. Output characteristics

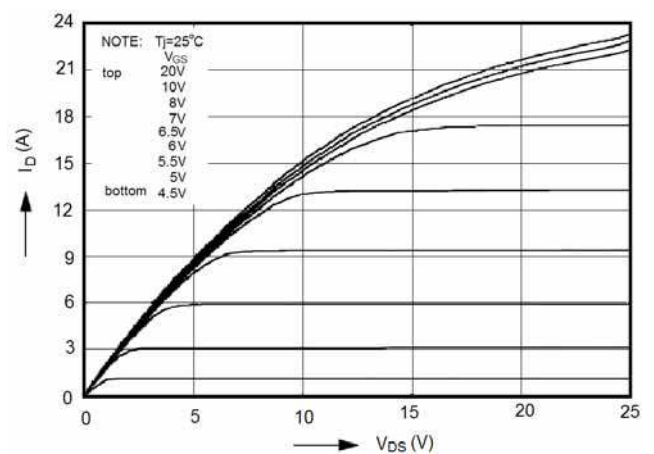


Figure5. Transfer characteristics

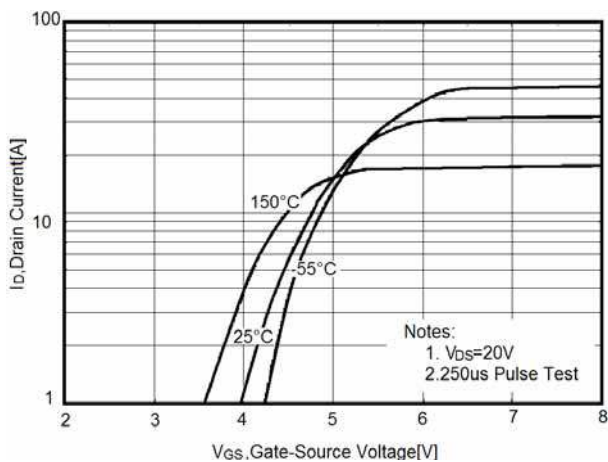


Figure6. Static drain-source on resistance

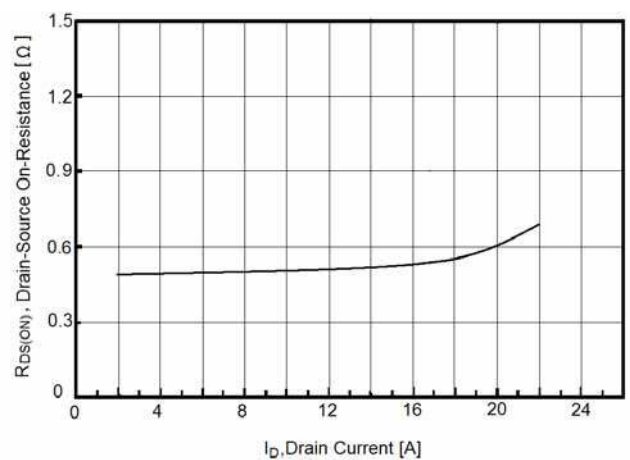


Figure7. $R_{DS(ON)}$ vs Junction Temperature

Figure8. BV_{DSS} vs Junction Temperature

RATING AND CHARACTERISTICS CURVES (RM8N700LD(IP))

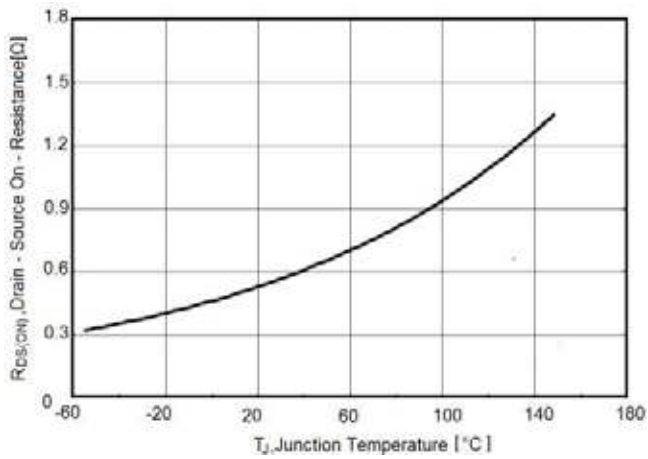


Figure9. Maximum I_D vs Junction Temperature

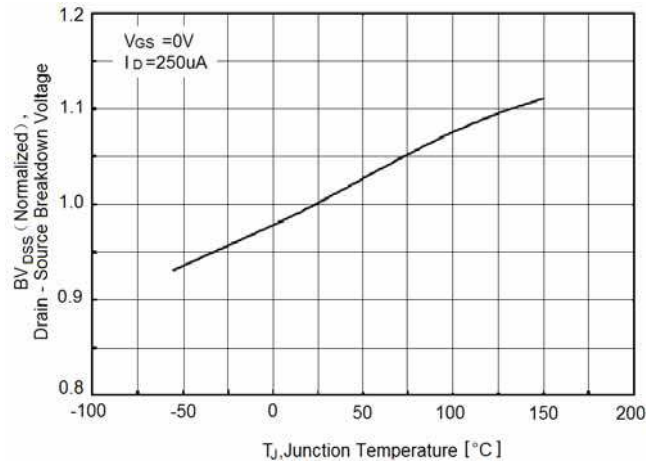


Figure10. Capacitance

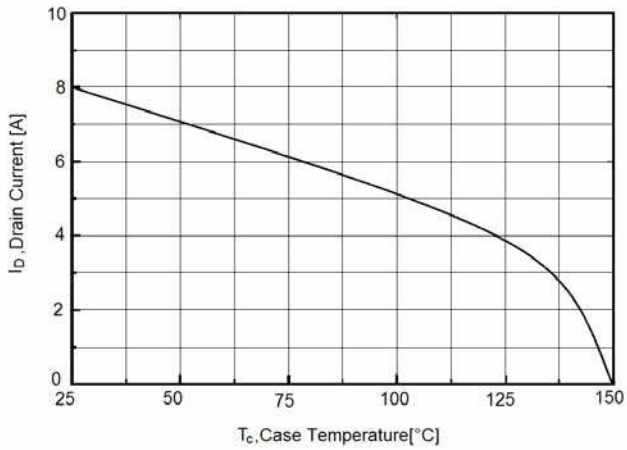
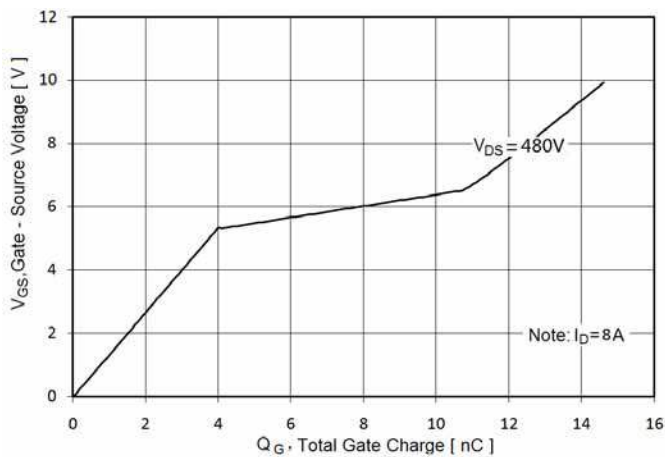
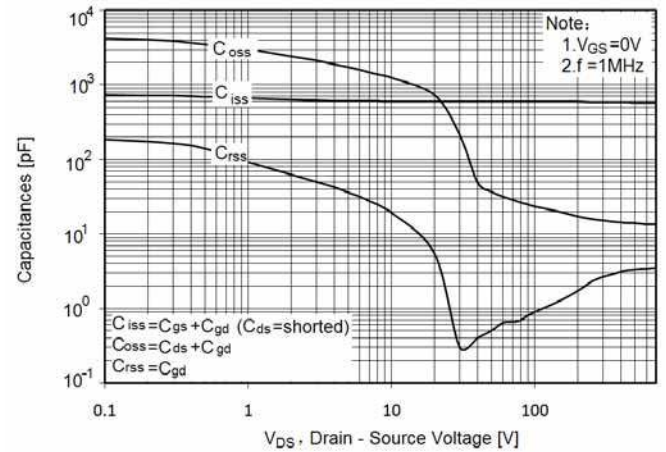
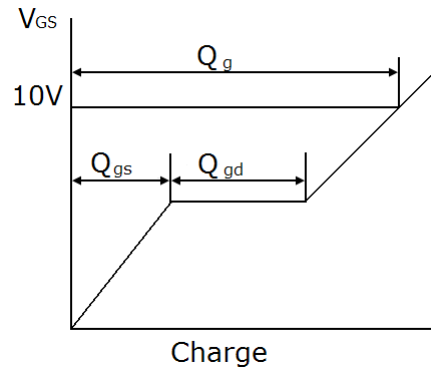
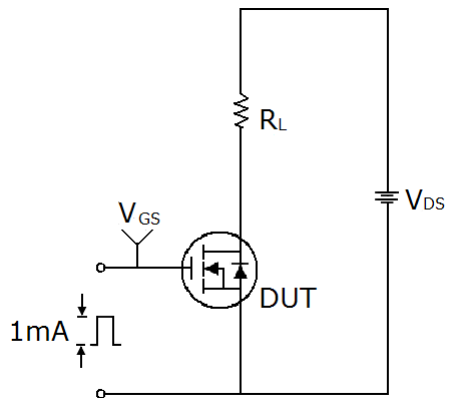


Figure11. Gate charge waveforms

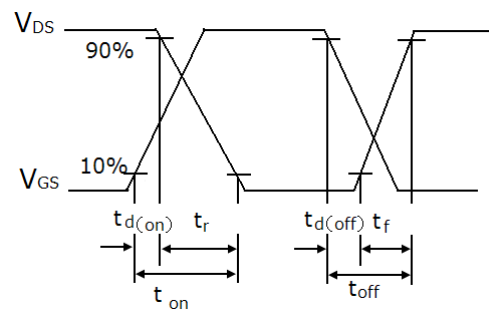
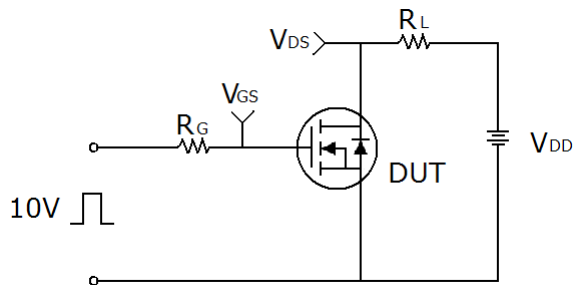


Test circuit

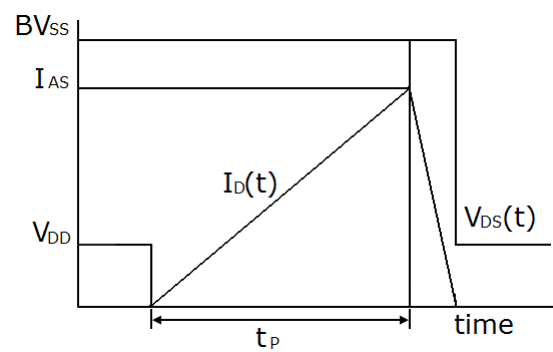
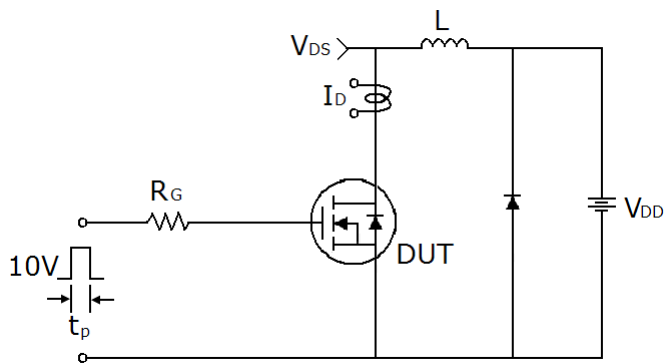
1) Gate charge test circuit & Waveform



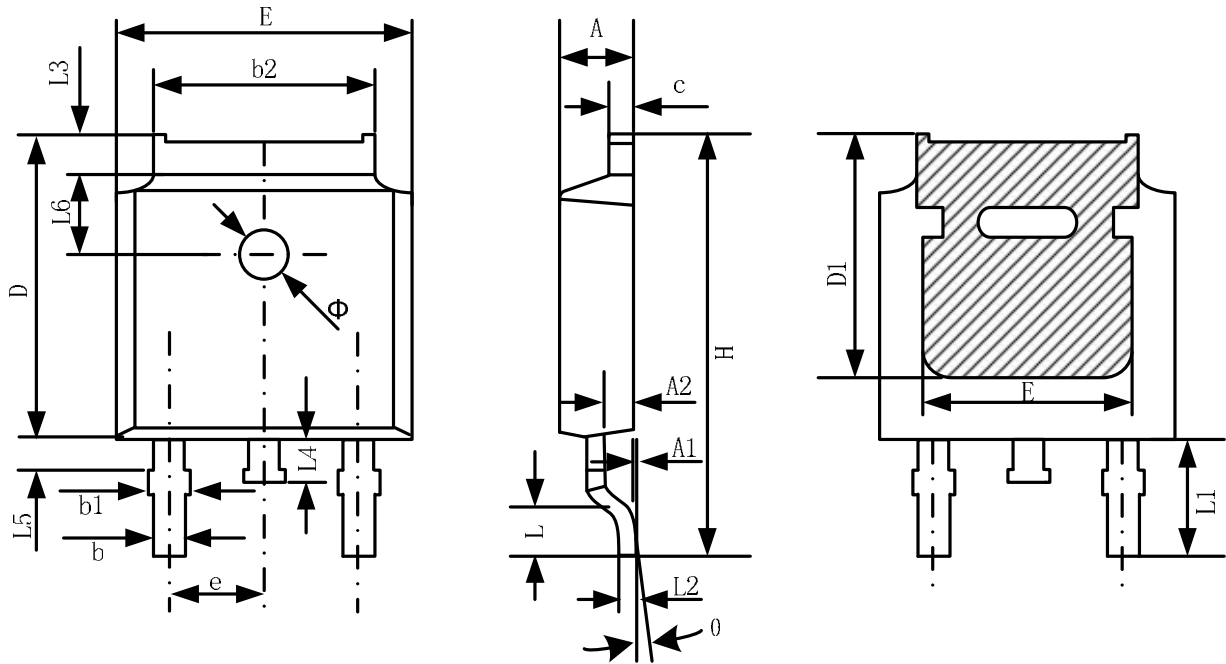
2) Switch Time Test Circuit:



3) Unclamped Inductive Switching Test Circuit & Waveforms

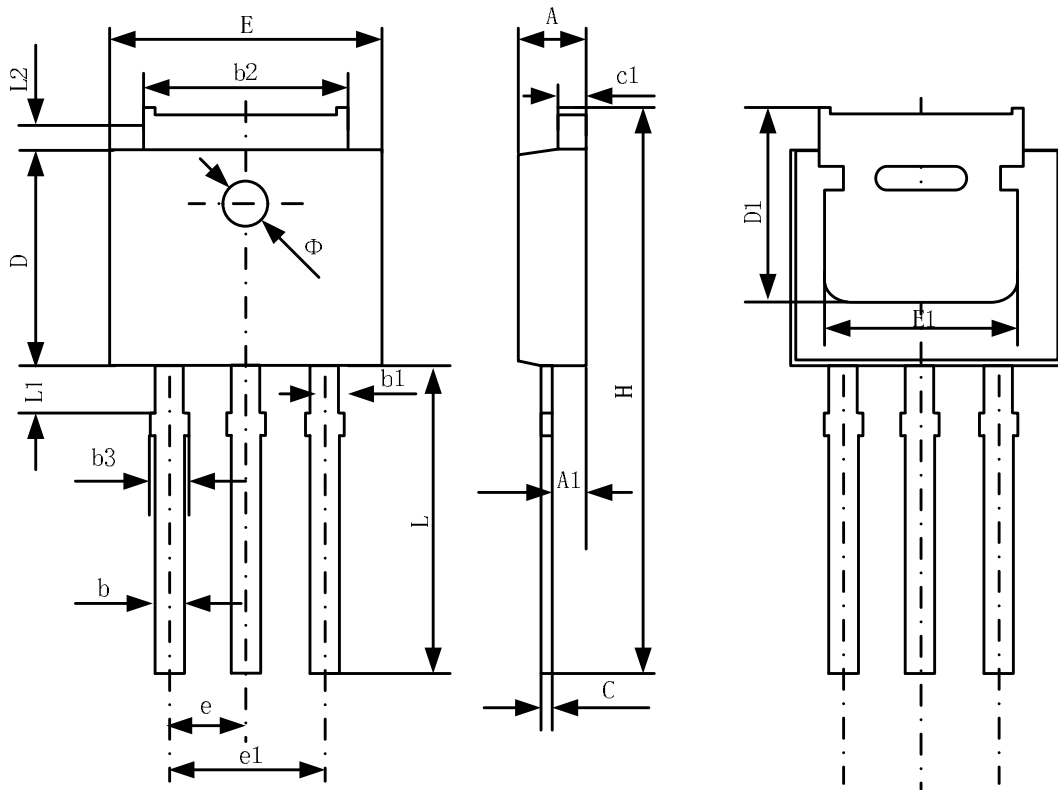


TO-252-2 Package Information

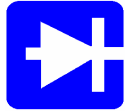


| Symbol | Dimensions In Millimeters | | Dimensions In Inches | |
|----------|---------------------------|-------|----------------------|-------|
| | Min. | Max. | Min. | Max. |
| A | 2.20 | 2.38 | 0.087 | 0.094 |
| A1 | 0.00 | 0.10 | 0.000 | 0.004 |
| A2 | 0.90 | 1.10 | 0.035 | 0.043 |
| b | 0.72 | 0.85 | 0.028 | 0.033 |
| b1 | 0.72 | 0.90 | 0.028 | 0.035 |
| b2 | 5.13 | 5.46 | 0.202 | 0.215 |
| c | 0.47 | 0.60 | 0.019 | 0.024 |
| D | 6.00 | 6.20 | 0.236 | 0.244 |
| D1 | 5.25 | -- | 0.207 | -- |
| E | 6.50 | 6.70 | 0.256 | 0.264 |
| E1 | 4.70 | -- | 0.185 | -- |
| e | 2.19 | 2.39 | 0.086 | 0.094 |
| H | 9.80 | 10.40 | 0.386 | 0.409 |
| L | 1.40 | 1.70 | 0.055 | 0.067 |
| L1 | 2.90 REF | | 0.114 REF | |
| L2 | 0.508 BSC | | 0.020 BSC | |
| L3 | 0.90 | 1.25 | 0.035 | 0.049 |
| L4 | 0.60 | 1.00 | 0.024 | 0.039 |
| L5 | 0.15 | 0.75 | 0.006 | 0.030 |
| L6 | 1.80 REF | | 0.071 REF | |
| Φ | 1.20 | 1.40 | 0.047 | 0.055 |
| θ | 0° | 8° | 0° | 8° |

TO-251 Package Information



| Symbol | Dimensions In Millimeters | | Dimensions In Inches | |
|--------|---------------------------|-------|----------------------|-------|
| | Min. | Max. | Min. | Max. |
| A | 2.20 | 2.35 | 0.087 | 0.093 |
| A1 | 0.90 | 1.10 | 0.035 | 0.043 |
| b | 0.56 | 0.69 | 0.022 | 0.027 |
| b1 | 0.77 | 0.90 | 0.030 | 0.035 |
| b2 | 5.23 | 5.43 | 0.206 | 0.214 |
| b3 | | 1.05 | 0.000 | 0.041 |
| C | 0.46 | 0.59 | 0.018 | 0.023 |
| c1 | 0.46 | 0.59 | 0.018 | 0.023 |
| D | 6.00 | 6.20 | 0.236 | 0.244 |
| D1 | 5.20 | | 0.205 | |
| E | 6.50 | 6.70 | 0.256 | 0.264 |
| E1 | 4.60 | 5.00 | 0.181 | |
| e | 2.24 | 2.34 | 0.088 | 0.092 |
| e1 | 4.47 | 4.67 | 0.176 | 0.184 |
| H | 16.18 | 16.78 | 0.637 | 0.661 |
| L | 9.00 | 9.60 | 0.354 | 0.378 |
| L1 | 0.95 | 1.35 | 0.037 | 0.053 |
| L2 | 0.90 | 1.25 | 0.035 | 0.049 |



RECTRON

Marking on the body



← Rectron Logo

8 N 7 0 0 ← Part No.

Y Y W W

Year – Code
(Y:18-----2018
19-----2019.....)

Week – code
(WW:01~52)

| | Package | Tube (pcs/tube) | Tube (pcs/inner box) | Tube (pcs/cartoon) | Tape&Reel (pcs/reel) | Tape&Reel (pcs/inner box) | Tape&Reel (pcs/cartoon) |
|--|---------------|--------------------|-------------------------|-----------------------|-------------------------|------------------------------|----------------------------|
| | DFN | 100 | 10,000 | 100,000 | 2,500 | 5,000 | 40,000 |
| | SOP-8 | 100 | 10,000 | 100,000 | 4,000 | 4,000 | 20,000 |
| | TSSOP-8 | 100 | 32,000 | 128,000 | 3,000 | 6,000 | 48,000 |
| | SOT-23-3L | — | — | — | 3,000 | 30,000 | 120,000 |
| | SOT-23-6L | — | — | — | 3,000 | 30,000 | 120,000 |
| | SOT-23(6R) | — | — | — | 3,000 | 30,000 | 120,000 |
| | SOT-363 | — | — | — | 3,000 | 30,000 | 120,000 |
| | SOT-523 | — | — | — | 3,000 | 30,000 | 120,000 |
| | TO-220 | 50 | 1,000 | 5,000 | — | — | — |
| | TO-220F | 50 | 1,000 | 10,000 | — | — | — |
| | TO-247 | 30 | 300 | 1,200 | — | — | — |
| | TO-251 | 80 | 4,000 | 40,000 | — | — | — |
| | TO-251S(4R) | 80 | 4,000 | 40,000 | — | — | — |
| | TO-252-2L(4R) | 80 | 4,000 | 40,000 | 2,500 | 2,500 | 25,000 |
| | TO-263-2L | 50 | 1,000 | 10,000 | 800 | 800 | 8,000 |
| | TO-3P | 30 | 300 | 3,000 | — | — | — |
| | TO-92 | — | — | — | 1,000(袋装) | 10,000 | 100,000 |

DISCLAIMER NOTICE

Rectron Inc reserves the right to make changes without notice to any product specification herein, to make corrections, modifications, enhancements or other changes. Rectron Inc or anyone on its behalf assumes no responsibility or liability for any errors or inaccuracies. Data sheet specifications and its information contained are intended to provide a product description only. "Typical" parameters which may be included on RECTRON data sheets and/ or specifications can and do vary in different applications and actual performance may vary over time. Rectron Inc does not assume any liability arising out of the application or use of any product or circuit.

Rectron products are not designed, intended or authorized for use in medical, life-saving implant or other applications intended for life-sustaining or other related applications where a failure or malfunction of component or circuitry may directly or indirectly cause injury or threaten a life without expressed written approval of Rectron Inc. Customers using or selling Rectron components for use in such applications do so at their own risk and shall agree to fully indemnify Rectron Inc and its subsidiaries harmless against all claims, damages and expenditures.