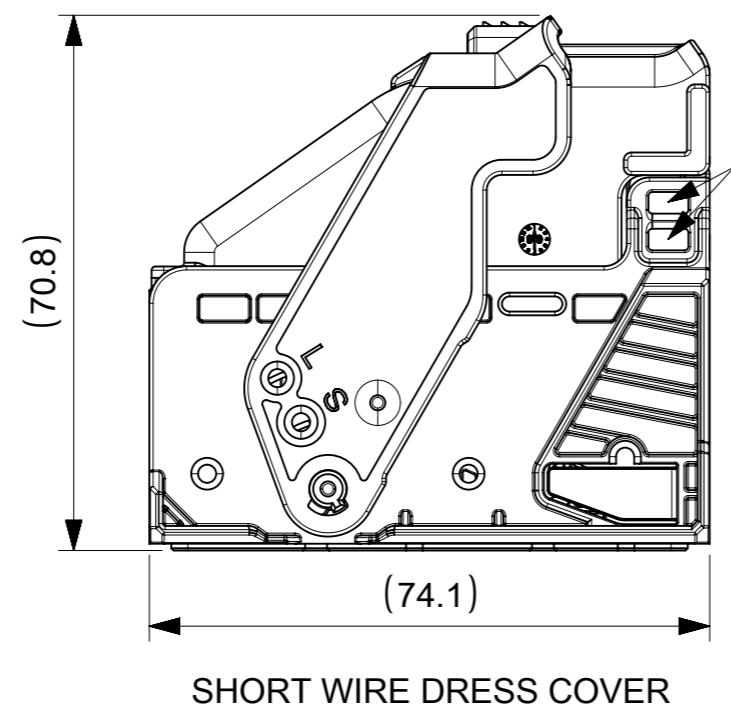
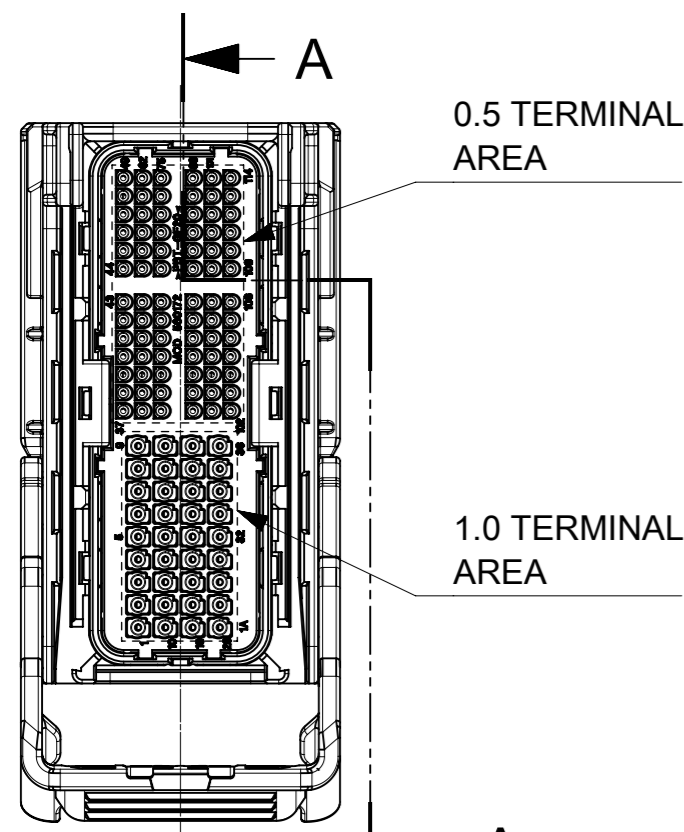
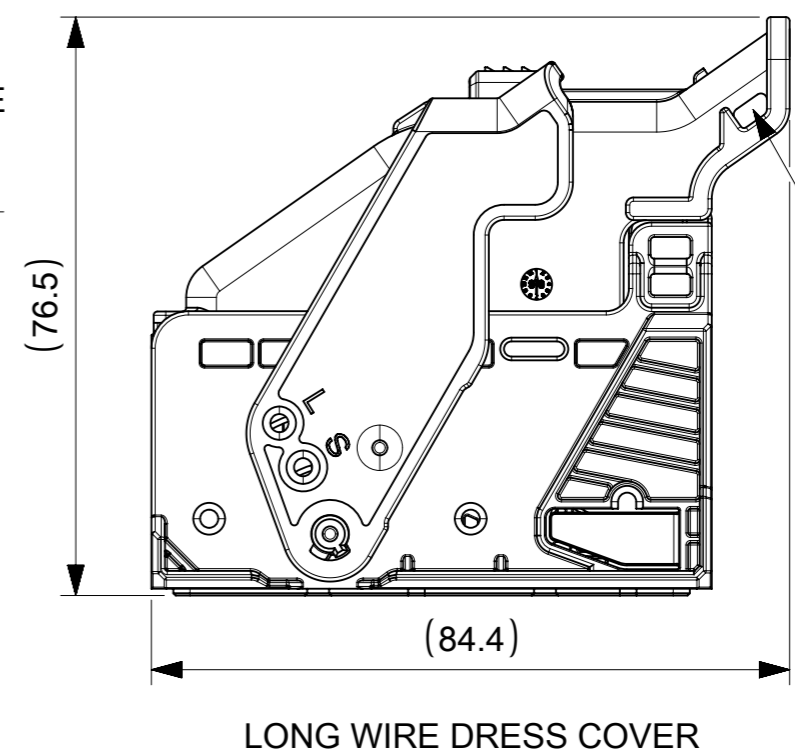


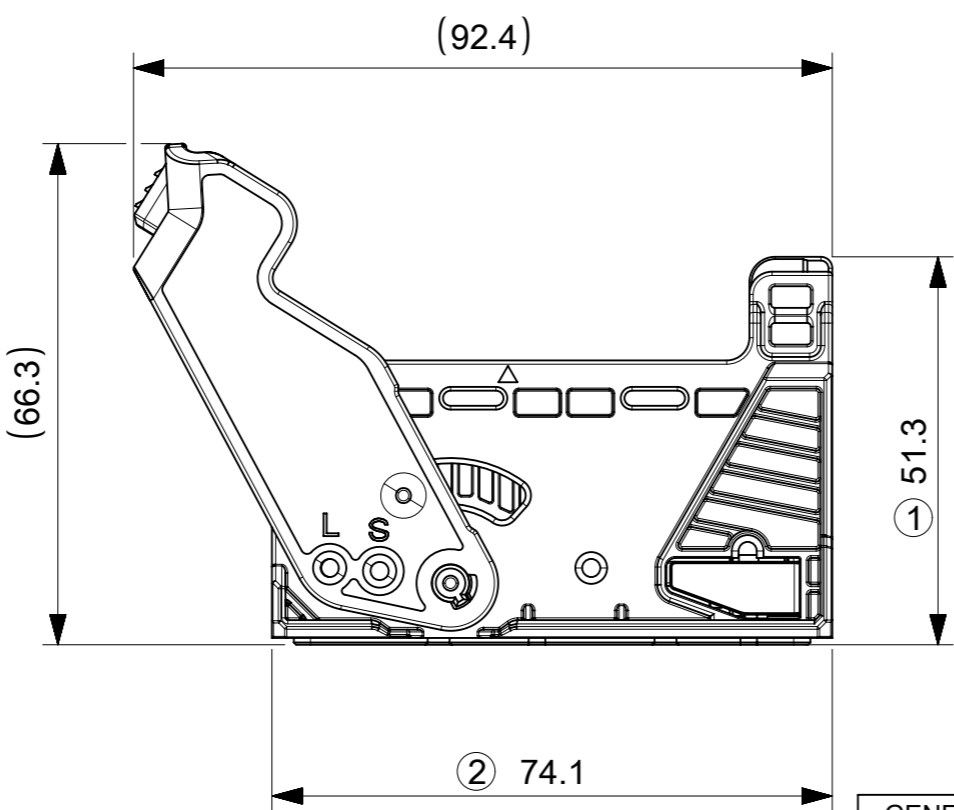
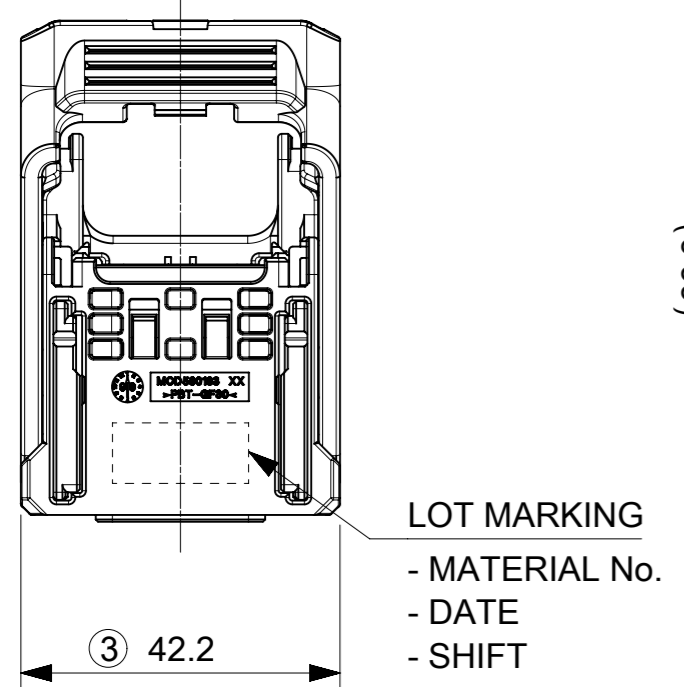
WIRE DRESS COVER OPTION



WIRE TIE UP HOLE FOR SHORT WIRE DRESS COVER



WIRE TIE UP HOLE FOR LONG WIRE DRESS COVER



NOTES

1. APPLICABLE TERMINAL
0.5 : 560121 SERIES
1.0 : 560205 SERIES
2. APPLICABLE WIRE SIZE
0.5 : REFER AS-560121-001
1.0 : REFER AS-560205-001
3. APPLICABLE INSULATION DIAMETER
0.5 : $\varnothing 1.1 \sim 1.7$ mm
1.0 : $\varnothing 1.25 \sim 2.3$ mm
4. APPLICABLE DUMMY PLUG
0.5 : 560144-0115
1.0 : 503131-0151
5. APPLICABLE WIRE DRESS COVER
SHORT : 560191-0101
LONG : 560191-0111

0.5 TERMINAL SIDE	560155-1402
1.0 TERMINAL SIDE	560155-1412
WIRE PULLOUT DIRECTION	MATERIAL No.

GENERAL TOLERANCES (UNLESS SPECIFIED)	
10 UNDER	± 0.3
10 OVER 30 UNDER	± 0.4
30 OVER	± 0.5
ANGULAR	$\pm 5^\circ$

THIS DRAWING CONTAINS INFORMATION THAT IS PROPRIETARY TO MOLEX ELECTRONIC TECHNOLOGIES, LLC AND SHOULD NOT BE USED WITHOUT WRITTEN PERMISSION

DIMENSION UNITS	SCALE	CURRENT REV DESC:	
mm	1:1		
GENERAL TOLERANCES (UNLESS SPECIFIED)		EC NO: 620306	
ANGULAR TOL	\pm	DRWN: KKATO01	2019/05/30
4 PLACES	\pm	CHK'D: TIIDA01	2019/07/17
3 PLACES	\pm	APPR: TOSADA	2019/07/18
2 PLACES	\pm	INITIAL REVISION:	
1 PLACE	\pm	DRWN: KKATO01	2019/05/30
0 PLACES	\pm	APPR: TOSADA	2019/07/18
DRAFT WHERE APPLICABLE MUST REMAIN WITHIN DIMENSIONS		THIRD ANGLE PROJECTION	DRAWING
			A3-SIZE
		SERIES	MATERIAL NUMBER
		560155	SEE TABLE
		CUSTOMER	SHEET NUMBER
		GENERAL	1 OF 2

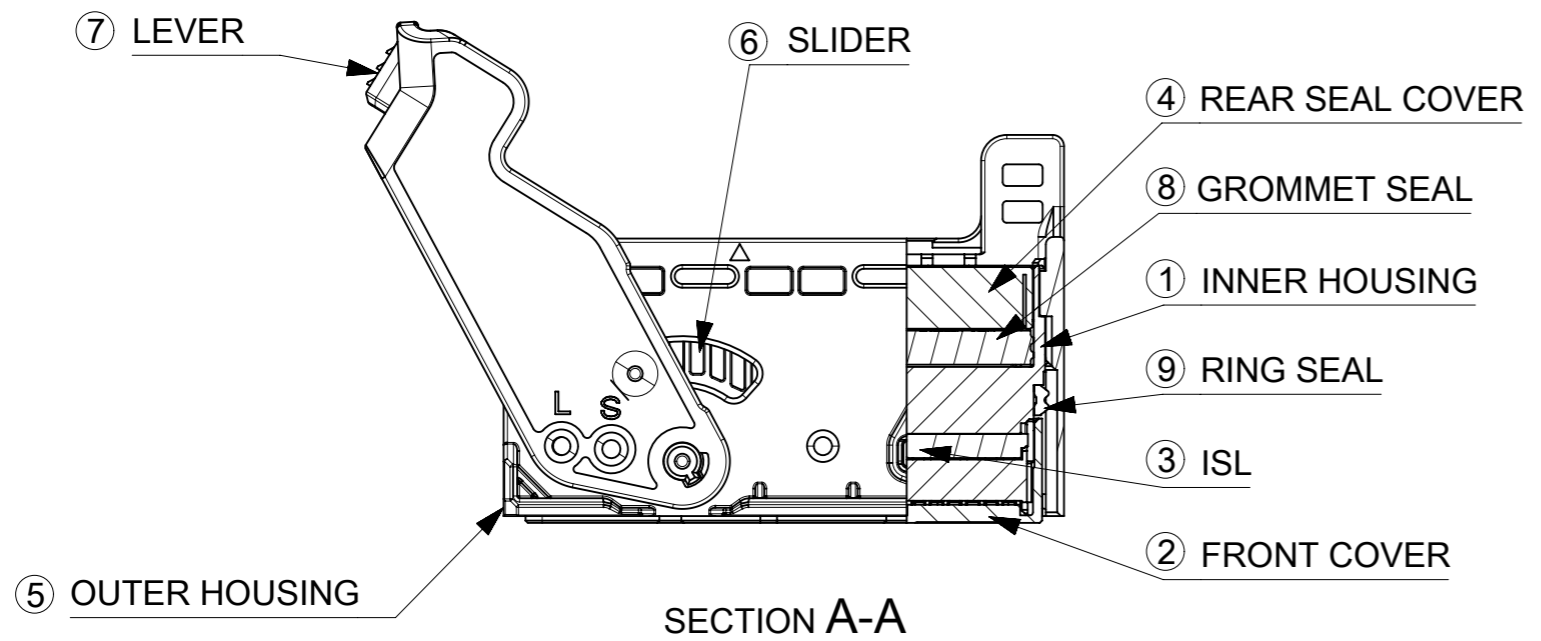
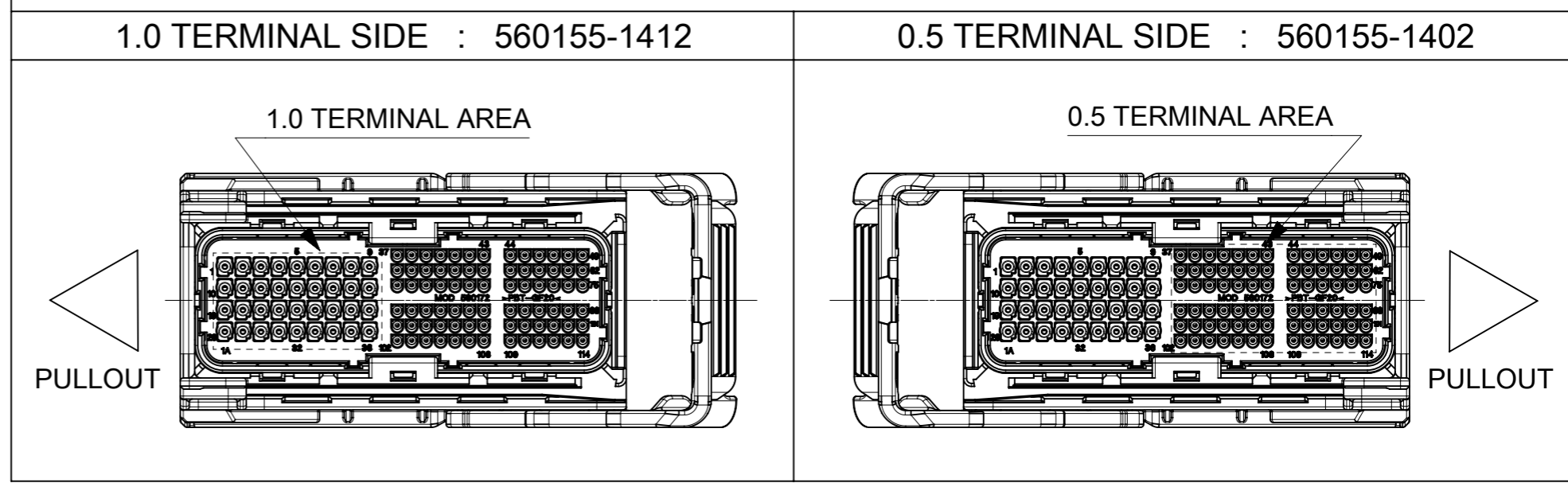
molex

COMPACTUS 114WAY ASSY

PRODUCT CUSTOMER DRAWING

DOCUMENT NUMBER	DOC TYPE	DOC PART	REVISION
5601550001-SD	PSD	000	A

WIRE PULLOUT DIRECTION



No.	PRODUCT NAME	MATERIAL	COLOR
1	INNER HOUSING	PBT, UNFILLED	BLACK
2	FRONT COVER	PBT, GLASS-FILLED	BLACK
3	ISL	PBT, GLASS-FILLED	NATURAL (WHITE)
4	REAR SEAL COVER	PBT, GLASS-FILLED	BLACK
5	OUTER HOUSING	PBT, GLASS-FILLED	BLACK
6	SLIDER	PA, GLASS-FILLED	BLACK
7	LEVER	PBT, GLASS-FILLED	DARK GRAY
8	GROMMET SEAL	SILICONE RUBBER	DARK BLUE
9	RING SEAL	SILICONE RUBBER	ORANGE

THIS DRAWING CONTAINS INFORMATION THAT IS PROPRIETARY TO MOLEX ELECTRONIC TECHNOLOGIES, LLC AND SHOULD NOT BE USED WITHOUT WRITTEN PERMISSION		CURRENT REV DESC:		molex			
DIMENSION UNITS	SCALE	EC NO: 620306					
mm	1:1	DRWN: KKATO01 2019/05/30		COMPACTUS 114WAY ASSY			
GENERAL TOLERANCES (UNLESS SPECIFIED)		CHK'D: TIIDA01 2019/07/17					
ANGULAR TOL	± °	APPR: TOSADA 2019/07/18		PRODUCT CUSTOMER DRAWING			
4 PLACES	±	INITIAL REVISION:		DOCUMENT NUMBER			
3 PLACES	±	DRWN: KKATO01 2019/05/30		5601550001-SD			
2 PLACES	±	APPR: TOSADA 2019/07/18		DOC TYPE			
1 PLACE	±	DRWN: KKATO01 2019/05/30		PSD			
0 PLACES	±	APPR: TOSADA 2019/07/18		DOC PART			
DRAFT WHERE APPLICABLE MUST REMAIN WITHIN DIMENSIONS		THIRD ANGLE PROJECTION	DRAWING	SERIES	MATERIAL NUMBER	CUSTOMER	REVISION
			A3-SIZE	560155	SEE TABLE	GENERAL	A
							SHEET NUMBER
							2 OF 2