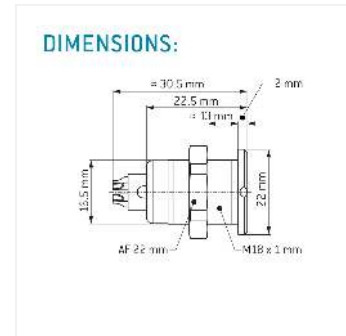
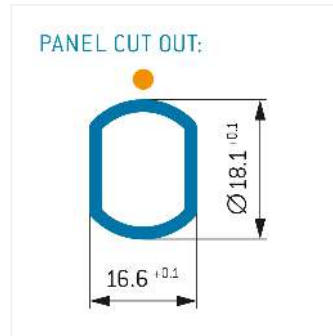
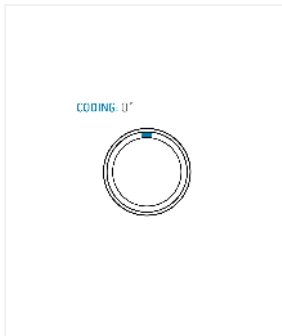


G13LOC-P07NSNO-0000
series_l, type_g1



General information

| | |
|--------------------------|---------------------|
| Part number | G13LOC-P07NSNO-0000 |
| Termination | crimp |
| Size | 3 |
| Locking principle | break , push |
| Coding | 0_key |



Contact insert description

| | |
|---------------------------|-----------|
| Number of contacts | 7 |
| Contact type | sockets |
| Contact diameter | 16mm |
| Insulator material | peek |
| Wire cross section | 14-18_awg |
| Termination | crimp |

reverse_gender_on_request

Technical information

| | | |
|---|-----------|---------------|
| Max. creepage and air clearance distance | 11_mm | 12_mm |
| Nominal current single contact | 21_a | iec_60512_5_2 |
| Nominal current insert | 13,65 A | vde_0298_4 |
| Test voltage | 135_kv_ac | sae_13441 |

safety_text

Mechanical and environmental data

| | |
|------------------------------|----------|
| Degree of protection* | ip50 |
| Operating temperature | 40_120_c |
| Mating cycles | 5000 |

mated_unmated

Material and surface treatments

| | |
|----------------|---------------|
| Housing | m_chrome |
| Contact | cu_alloy_gold |

safety_text_2
ul_text
illustrative_text