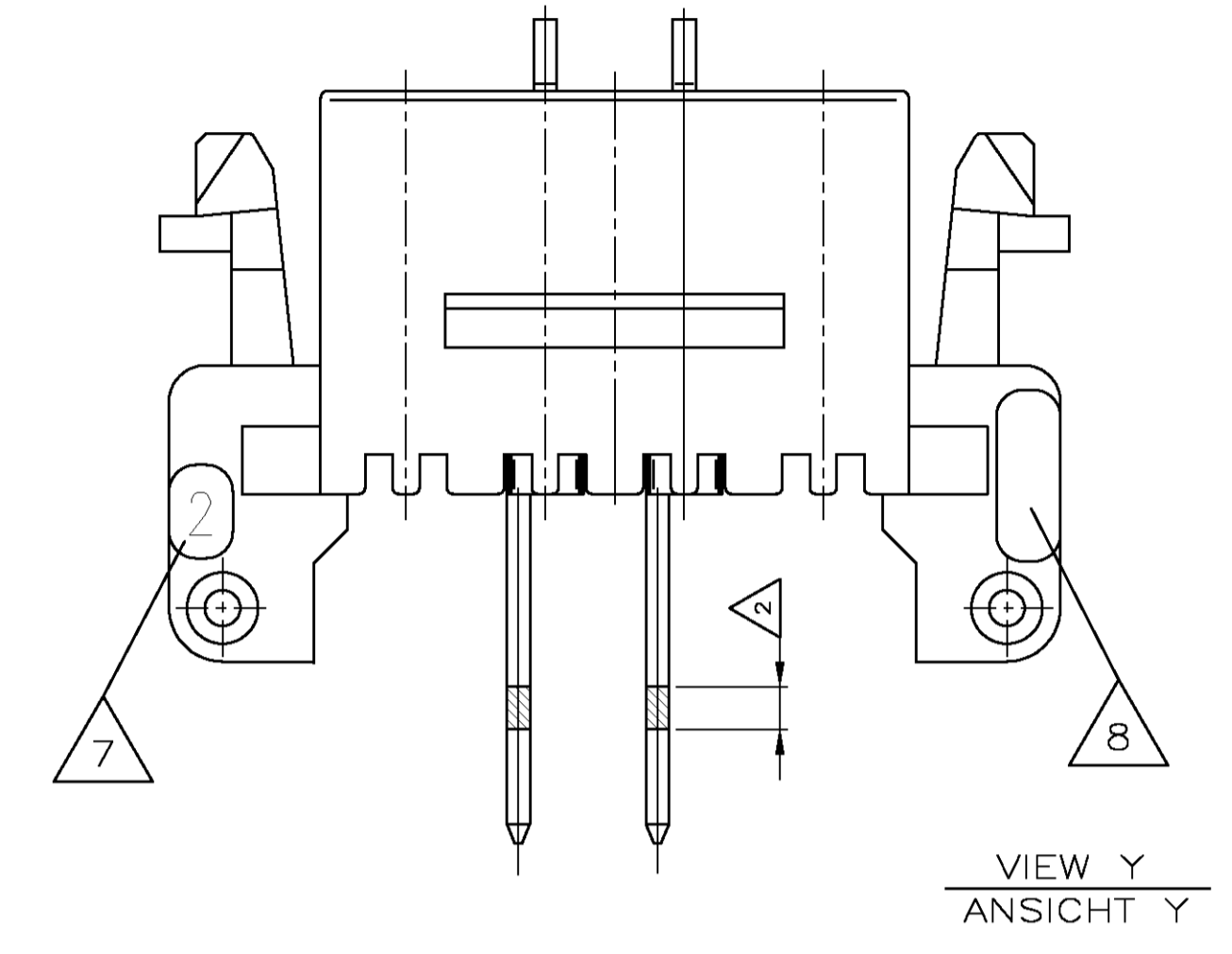


4 POS. VERSION
969573-2
1-969573-2

LOC	DISP	REV	DATE	BY	APPV
A1	-	B7	16.02.00	T.B.	SCHA
		B8	05.01.05	KHH	MS
		B9	07NOV09	KK	AEQ
		C1	23JUL10	STO	T.K.



VIEW Y
ANSICHT Y
2 POS.VERSION
969573-1
1-969573-1

- 1 3-5µm Sn LEAD FREE OVER MIN. 1,2µm Ni
- 2 PLAIN AREAS AT CUTOFFS AND TOPS OF PINS
- 3 DIMENSION BEFORE CONNECTED CONDITION
- 5 TECHN.DATAS ACCORDING EIB-HANDBOOK RESPECT.EIBA CERTIFICATION
- 6 57 PARTS IN TRAY 360 x 275 x 25,
9 TRAYS PILED UP INTO CARDBOARD BOX 395 x 295 x 200 (PILE-TIGHT 18)
1 ADDITIONAL TRAY FOR COVER
- 7 CAVITY MARKING
- 8 MATERIAL DESCRIPTION
- 9 OBSOLETE PARTS: OBSOLETE CIS STREAMLINING PER D.RENAUD/D.SINISI

- 1 3-5µm Sn BLEIFREI ÜBER MIN. 1,2µm Ni
- 2 HIER BLANKE SCHNITTKANTEN UND AN STIFTSPITZEN.
- 3 IM NICHT KONTAKTIERTEN ZUSTAND
- 5 TECHN.EIGENSCHAFTEN ENTSPR.EIB-HANDBUCH BZW. EIBA ZERTIFIKATION
- 6 56 TEILE IN TABLETT 360 x 275 x 25,
9 TABLETTS GESTAPELT IN KARTON 395 x 295 x 200 (STAPELHÖHE CA. 18),
1 ZUSÄTZLICHES TABLETT ALS ABDECKUNG
- 7 NESTMARKIERUNG
- 8 MATERIALBEZEICHNUNG

TE ORDER NO. BESTELL-NR.	POS.	QTY. STK.	DESCRIPTION BENENNUNG	SURFACE OBERFLÄCHE COLOUR/FARBE	MATERIAL
1-969573-2	2	4	I-BUS CONTACT I-BUS KONTAKT	1	CuSn
	1	1	CONTACT HOUSING KONTAKTGEHÄUSE	GREY/GRAU RAL 7035	PBT-GV
1-969573-1	2	2	I-BUS CONTACT I-BUS KONTAKT	1	CuSn
	1	1	CONTACT HOUSING KONTAKTGEHÄUSE	GREY/GRAU RAL 7035	PBT-GV
969573-2	2	4	I-BUS CONTACT I-BUS KONTAKT	1	CuSn
	1	1	CONTACT HOUSING KONTAKTGEHÄUSE	GREY/GRAU RAL 7035	PA6-GF
969573-1	2	2	I-BUS CONTACT I-BUS KONTAKT	1	CuSn
	1	1	CONTACT HOUSING KONTAKTGEHÄUSE	GREY/GRAU RAL 7035	PA6-GF

THIS DRAWING IS A CONTROLLED DOCUMENT FOR TYCO ELECTRONICS CORPORATION. IT IS SUBJECT TO CHANGE AND THE CONTROLLING ENGINEERING DEPARTMENT SHALL BE ADVISED FOR THE LATEST REVISION. THESE REQUIREMENTS WILL APPLY TO ALL TYCO ELECTRONICS CORPORATION CONTROLLED DRAWINGS OF THE TECHNICAL PROPERTY OF TYCO ELECTRONICS CORPORATION. DIMENSIONS ARE IN MILLIMETERS UNLESS OTHERWISE SPECIFIED.

OTHERWISE SPECIFIED: ALUMINIUMTOLERANZEN
n. ISO 8015
p. ISO 2768 - mH - E
r. DIN 16901 - 14D
±0.2

FINISH/OBERFLÄCHE/FARBE: -

DATE: 03-SEP-98
DWN: M. STEIN
CHK: M. SCHAARSCHMIDT
DRIP: C. Feldmeier

PRODUCT SPEC: BUS LINE CONNECTOR, 180 DEG.
VERARBEITUNGSSPEZ.: BUS LINE STECKER, 180 GRAD

APPLICATION SPEC: -
WEIGHT: -
CUSTOMER DRAWING: /KUNDENZEICHNUNG

SIZE: A1
CAGE CODE: 100779
DRAWING NO.: 969573
TECHNINGS-NR.: 969573

RESTRICTED TO: NUR FÜR: -
BLATT 5:1 OF 1 REV C1

Tyco Electronics
Tyco Electronics AMP GmbH
64665 Bensheim (Germany)