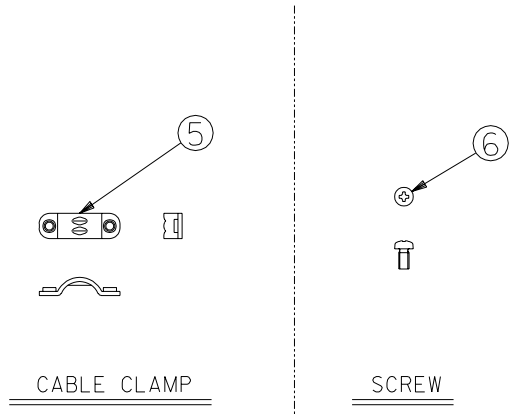


DWG. NO. SD-500655-010

部品構成  
PARTS CONSTRUCTION

部番 NO.	部品名 PART NAME	製品番号 ENG. NO.	個数 QUAN.	材質 MATERIAL
①	ハウジングアッセンブリ HOUSING ASS'Y	500653-0819	1	ハウジング: ガラス入り耐熱樹脂 UL94V-0 色:黒 HOUSING: G.F. HEAT RESISTANT PLASTIC UL94V-0 COLOR: BLACK シェル :りん青銅 t0.4 SHELL : PHOSPHOR BRONZE t0.4 メッキ仕様 ニッケル下地錫メッキ PLATING TIN OVER NICKEL
②	カバーA COVER A	53989-0805	1	ガラス入りポリカーボネイト樹脂 UL94V-0 色:グレー POLYCARBONATE G.F. UL94V-0 COLOR: GRAY
③	カバーB COVER B	53990-0805	1	
④	シェル カバー SHELL COVER	58302-0828	1	鋼 t0.4 STEEL t0.4 メッキ仕様 : ニッケル下地、錫メッキ PLATING : NICKEL BASE, TIN PLATING
⑤	ケーブルクランプ CABLE CLAMP	58303-0000	1	ステンレス鋼 STAINLESS STEEL
⑥	十字穴付きなべ小ネジ CROSS RECESSED PAN HEAD MACHINE SCREW	59832-0009	2	黄銅(ネジサイズ:M2X4) BRASS (SCREW SIZE: M2X4)

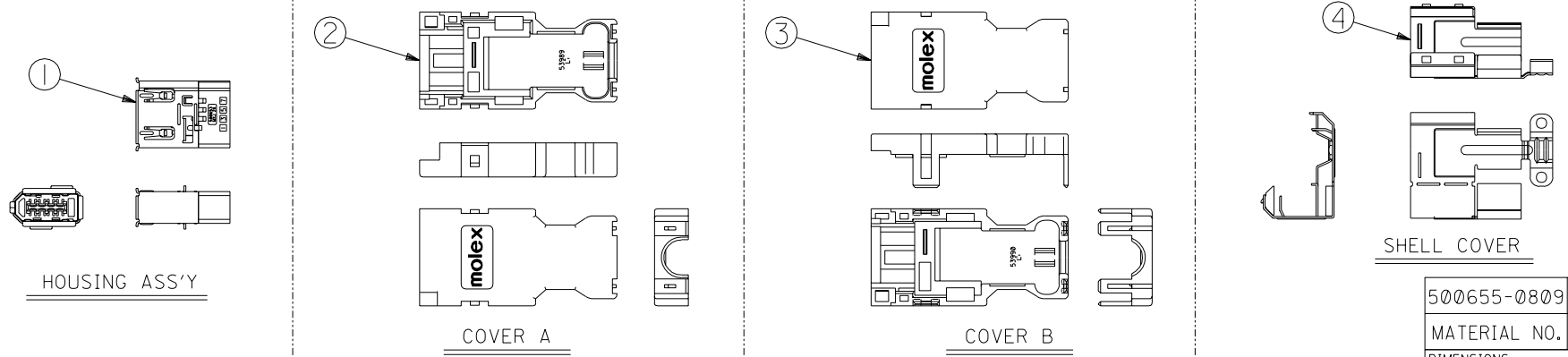


CABLE CLAMP

SCREW

NOTES:

本製品は 500655-0800 の鉛フリー品である。  
THIS PRODUCT IS LEAD FREE OF 500655-0800.



HOUSING ASS'Y

COVER A

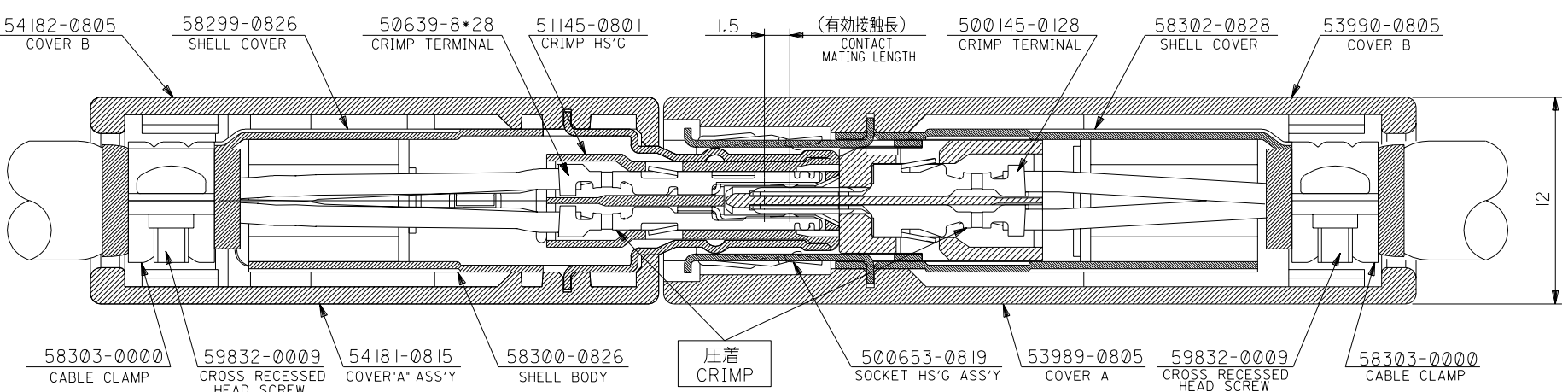
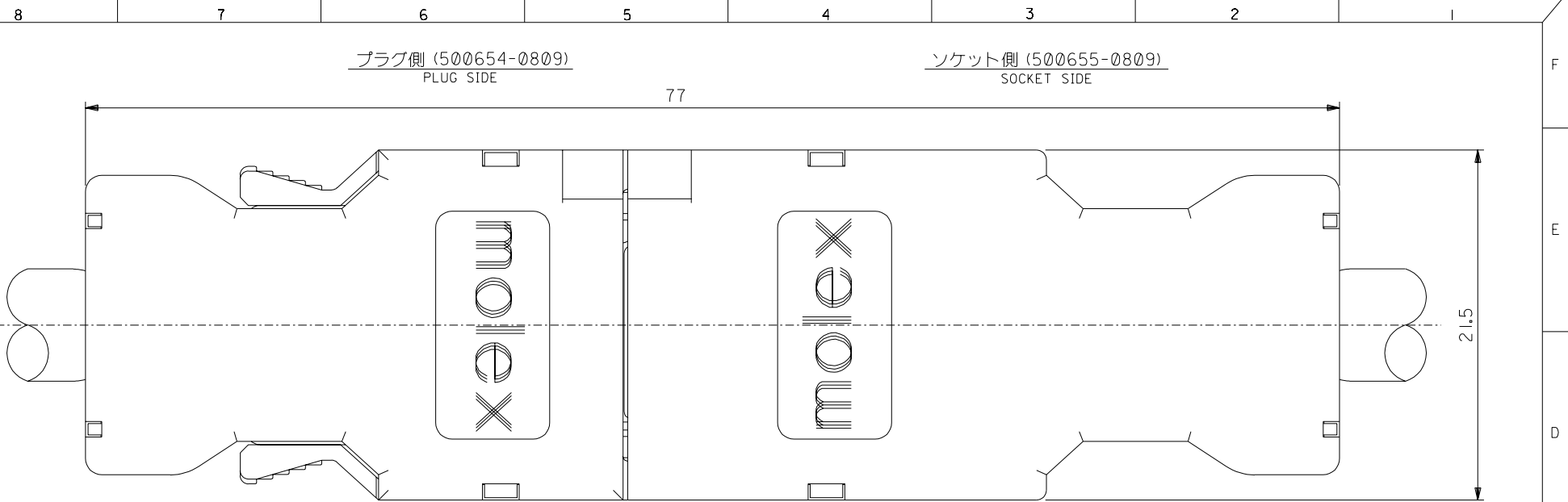
COVER B

SHELL COVER

DO NOT SCALE DRAWING

EC NO. DRWN: CHK: APPR:	EC NO. DRWN: CHK: APPR:	EC NO. DRWN: CHK: APPR:	EC NO. DRWN: CHK: APPR:	EC NO. DRWN: CHK: APPR:	RELEASED	MATERIAL 材料	GENERAL TOLERANCES: (UNLESS SPECIFIED) 一般公差	SCALE   :   <input type="checkbox"/> mm <input type="checkbox"/> INCH	DESIGN UNITS <input checked="" type="checkbox"/> mm <input type="checkbox"/> INCH	THIRD ANGLE PROJECTION <input checked="" type="checkbox"/> mm <input type="checkbox"/> INCH	DIMENSIONS: <input type="checkbox"/> mm <input type="checkbox"/> INCH <input type="checkbox"/> mm <input checked="" type="checkbox"/> ONLY	SHT	REV
					EC NO. J2004-3819 DRWN: H.KAWABATA '04/04/16 CHK: K.TOJO '04/04/16 APPR: M.SASAO '04/04/16								
					FINISH 仕上げ	10 OVER 30 UNDER 未満 ±0.25	CHECKED BY & DATE K.TOJO '04/04/16	MOLEX MOLEX INCORPORATED					
					WIRE RANGE 適用電線範囲	30 OVER 以上 ±0.3	APPROVED BY & DATE M.SASAO '04/04/16	CAD FILENAME SD-500655-010.S01	MATERIAL NO. SEE CHART	DRAWING NO. SD-500655-010	SHEET NO. 1 OF 2		
					INS. RANGE 被覆外径	ANGLE 角度 ±3°	THIS DRAWING CONTAINS INFORMATION THAT IS PROPRIETARY TO MOLEX INCORPORATED AND SHOULD NOT BE USED WITHOUT WRITTEN PERMISSION.						SIZE B

DWG. NO.  
SD-500655-010



DO NOT SCALE DRAWING

EC NO. DRWN: CH'K: APPR:		EC NO. DRWN: CH'K: APPR:		EC NO. DRWN: CH'K: APPR:		EC NO. DRWN: CH'K: APPR:		EC NO. DRWN: CH'K: APPR:		RELEASED EC NO. J2004-3819 DRWN: H.KAWABATA '04/04/16 CH'K: K.TOJO '04/04/16 APPR: M.SASAO '04/04/16	MATERIAL 材料	FINISH 仕上げ	WIRE RANGE 適用電線範囲	INS. RANGE 被覆外径	GENERAL TOLERANCES: (UNLESS SPECIFIED) 一般公差		SCALE 4 : 1	DESIGN UNITS <input checked="" type="checkbox"/> mm <input type="checkbox"/> INCH	<input type="checkbox"/> THIRD ANGLE <input type="checkbox"/> PROJECTION	DIMENSIONS: <input type="checkbox"/> mm <input type="checkbox"/> INCH <input checked="" type="checkbox"/> mm ONLY	SHT	REV
10 UNDER 未満		±0.2		DRAWN BY & DATE H.KAWABATA '04/04/16		TITLE: 2.0mm PITCH I/O CONN. SOCKET SET (CRIMP TYPE) -LEAD FREE-									REVISE ON CAD ONLY							
10 OVER 30 UNDER 未満		±0.25		CHECKED BY & DATE K.TOJO '04/04/16																		
30 OVER 以上		±0.3		APPROVED BY & DATE M.SASAO '04/04/16		MOLEX MOLEX INCORPORATED		CAD FILENAME SD-500655-010.S02							MATERIAL NO. SEE CHART		DRAWING NO. SD-500655-010		SHEET NO. 2 OF 2			
THIS DRAWING CONTAINS INFORMATION THAT IS PROPRIETARY TO MOLEX INCORPORATED AND SHOULD NOT BE USED WITHOUT WRITTEN PERMISSION.															SIZE B							