

S CN BN - J 1 1 50 - SO REP

SUNTSU

CONNECTOR

BNC

Connector Type
Jack

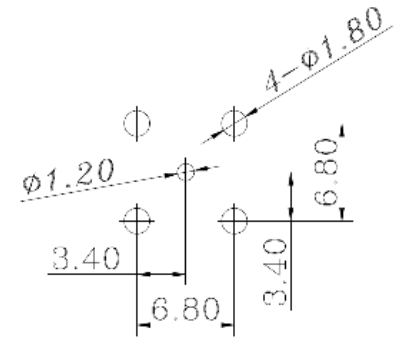
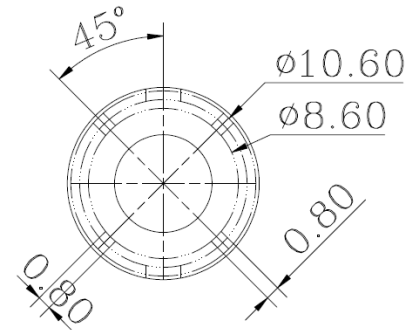
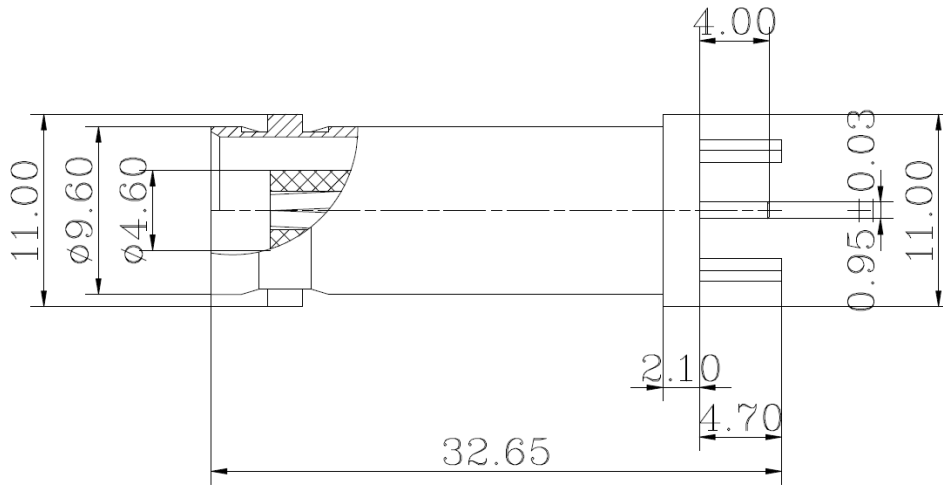
Rows
1

Connectors
per Row
1

Impedance
50

Contact Termination
Solder

Mounting Style
Receptacle for
PCB Mount



**Recommended
Mounting
Layout**

1. Materials:

- a) Body: Brass Nickel Plated
- b) Contact: P-Bronze Gold Plated
- c) Insulator: POM Natural

- 2. Normal Impedance: 50Ω
- 3. Frequency Range: 0-4 GHz
- 4. Max Peak Voltage: 500V

5. Dielectric Strength: 1500V RMS

6. Insulation Resistance: 5000 MΩ/Min



**BNC FEMALE RECEPTACLE
PCB MOUNT**

Document History				Part No.	REV.	Drawn		Page
Edits Made	Date	Edited By	Approved By			A	B. Gibbons	
Initial Release	06/28/2021	B. Gibbons	KH Mun	SCNBN-J1150-SOREP	SCALE	Checked		1 / 1
						None	KH Mun	
				Tolerance	UNIT	Approved		1 / 1
						0.5-15 = ±0.15 15-30 = ±0.30 30-120 = ±0.60 >120 = ±1.00	mm	