

5

4

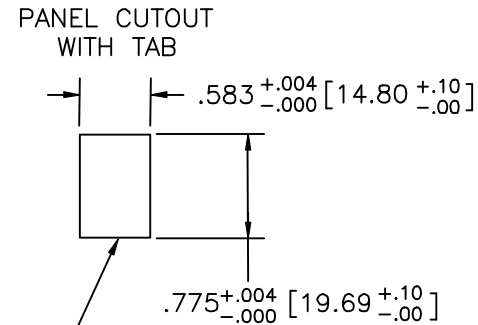
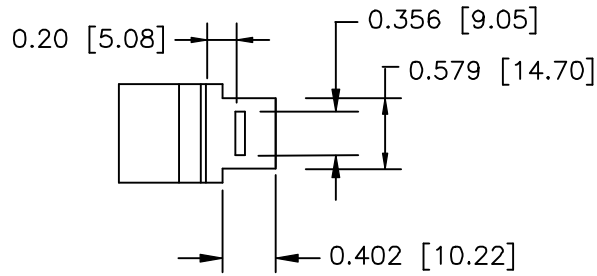
3

2

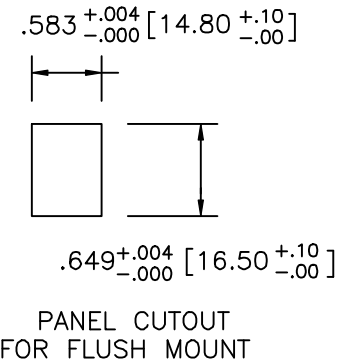
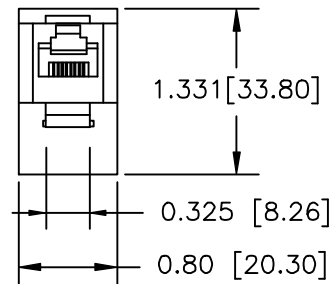
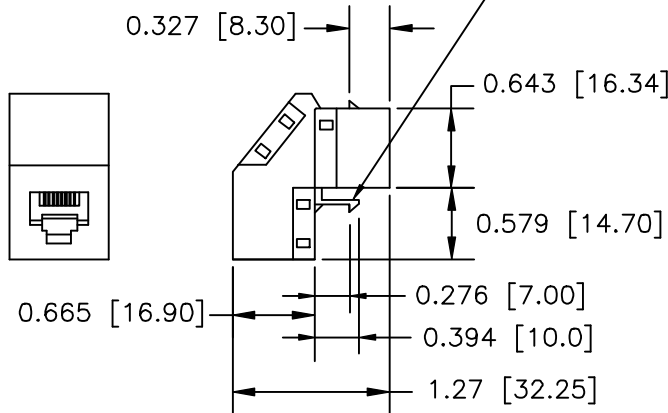
1

DWG NO. M1026KS-8C-C5R

| REV | ECO NO. | DATE | BY | APP'D |
|-----|----------------------------------|--------|----|-------|
| A | REL TO PRODUCTION PER ECO 001 | 5/3/05 | KL | |



| Tolerance | |
|-----------|---------------|
| .xxx | ±.005" (0.12) |
| .xx | ±.012" (0.30) |



THIS DEVICE RoHS COMPLIANT

ELECTRICAL:

- Current rating: 1.5 AMP Max.
- Contact resistance: 20 milliohms Max.
- Insulation resistance: 500 megohms Min.
- Dielectric withstanding voltage: 1000 V Min.
- DC resistance: 0.1 Ohms

MATERIAL:

- Housing: ABS UL94V0
- Contact: Phosphor Bronze
- Plating: 50µ Gold over nickel
- Shield: Nickel over Bronze
- Operating temperature: -40°C to 70°C
- Color: Black

CONFIDENTIAL

© Copyright 2005 Regal Electronics, Inc. This drawing is the property of Regal Electronics and contains confidential information, trade secret information and/or know-how which is the property of Regal Electronics. By accepting this drawing, the recipient agrees not to provide, or otherwise make available, the drawing or any information or know-how embodied therein, to any third party without prior written authorization.



| | |
|------------|--------------|
| DRAWN: KIM | DATE: 5/3/05 |
| CHECKED: | DATE: |
| ENGINEER: | DATE: |
| APPROVED: | DATE: |
| APPROVED: | DATE: |
| APPROVED: | DATE: |

TITLE: CAT5
IN LINE COUPLER
SHIELD/W TABS

| | | |
|-------------|----------------------------|--------|
| SIZE: B | DRAWING NO. M1026KS-8C-C5R | REV: A |
| SCALE: NONE | SHEET 1 of 1 | |

UNIT: inch [mm]

C-M1026KS-8C-C5R

5

4

3

2

1