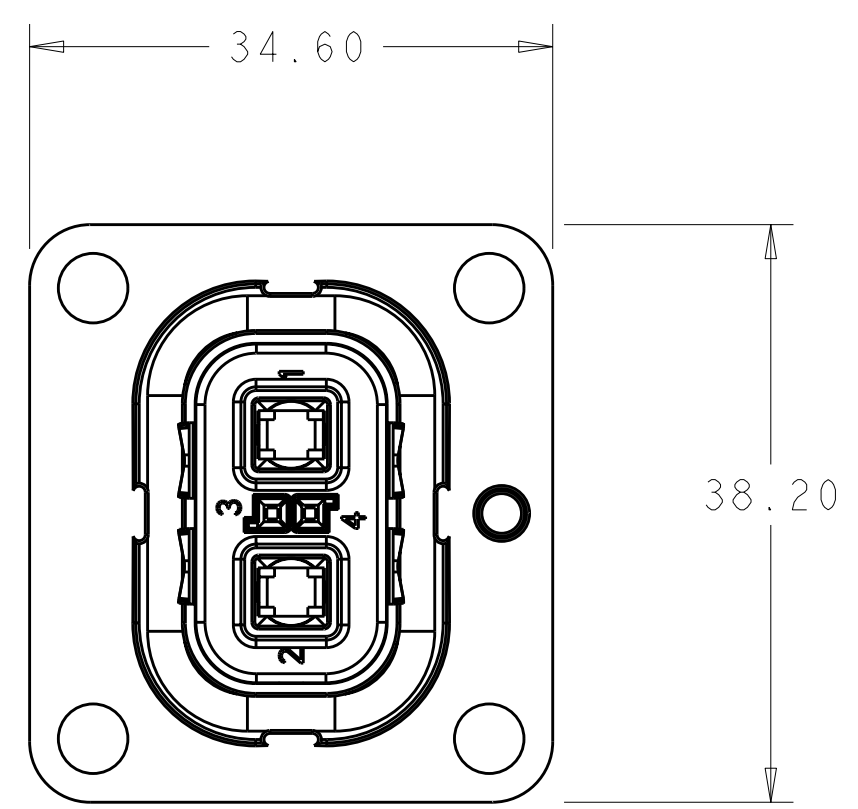
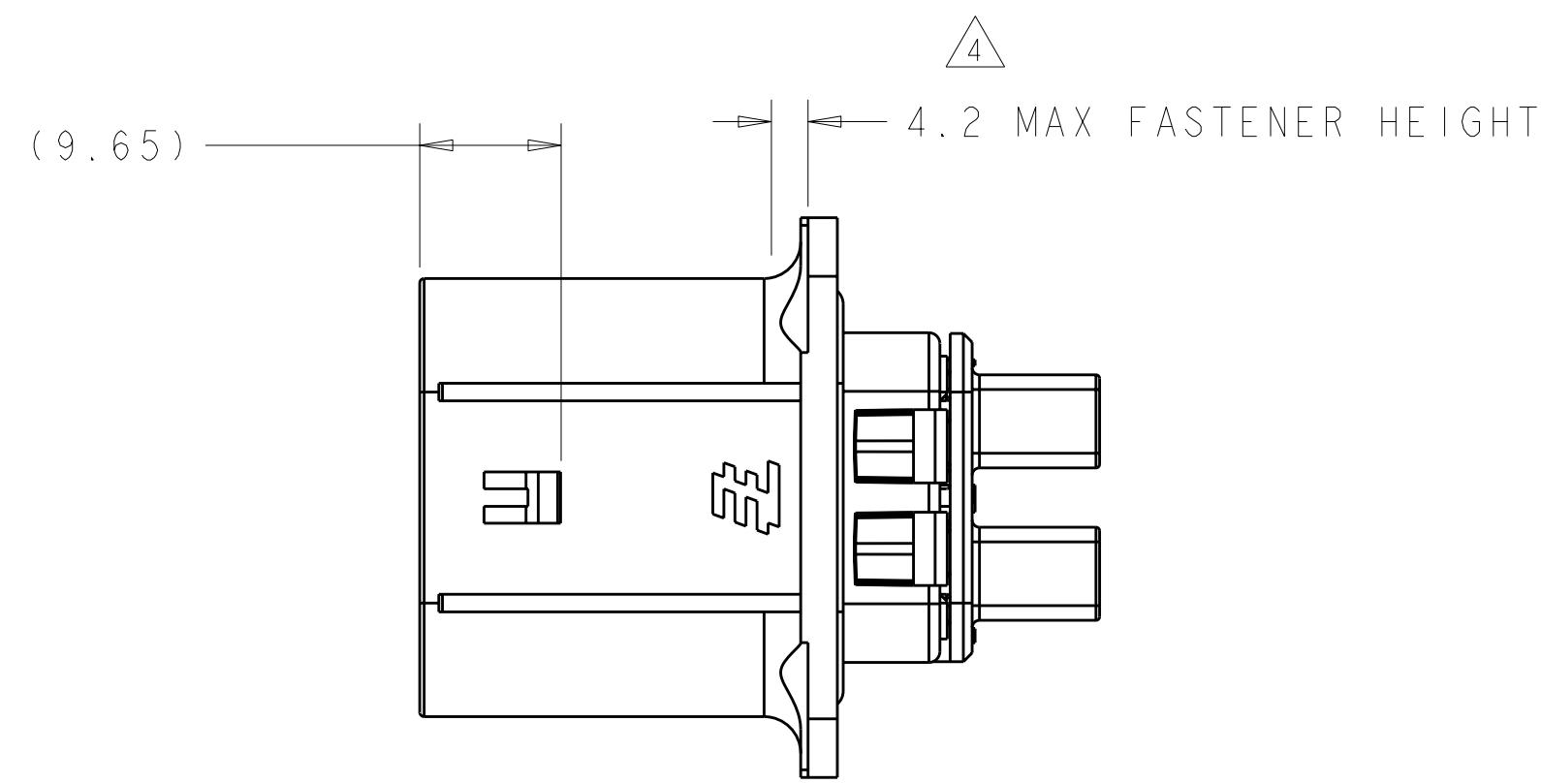
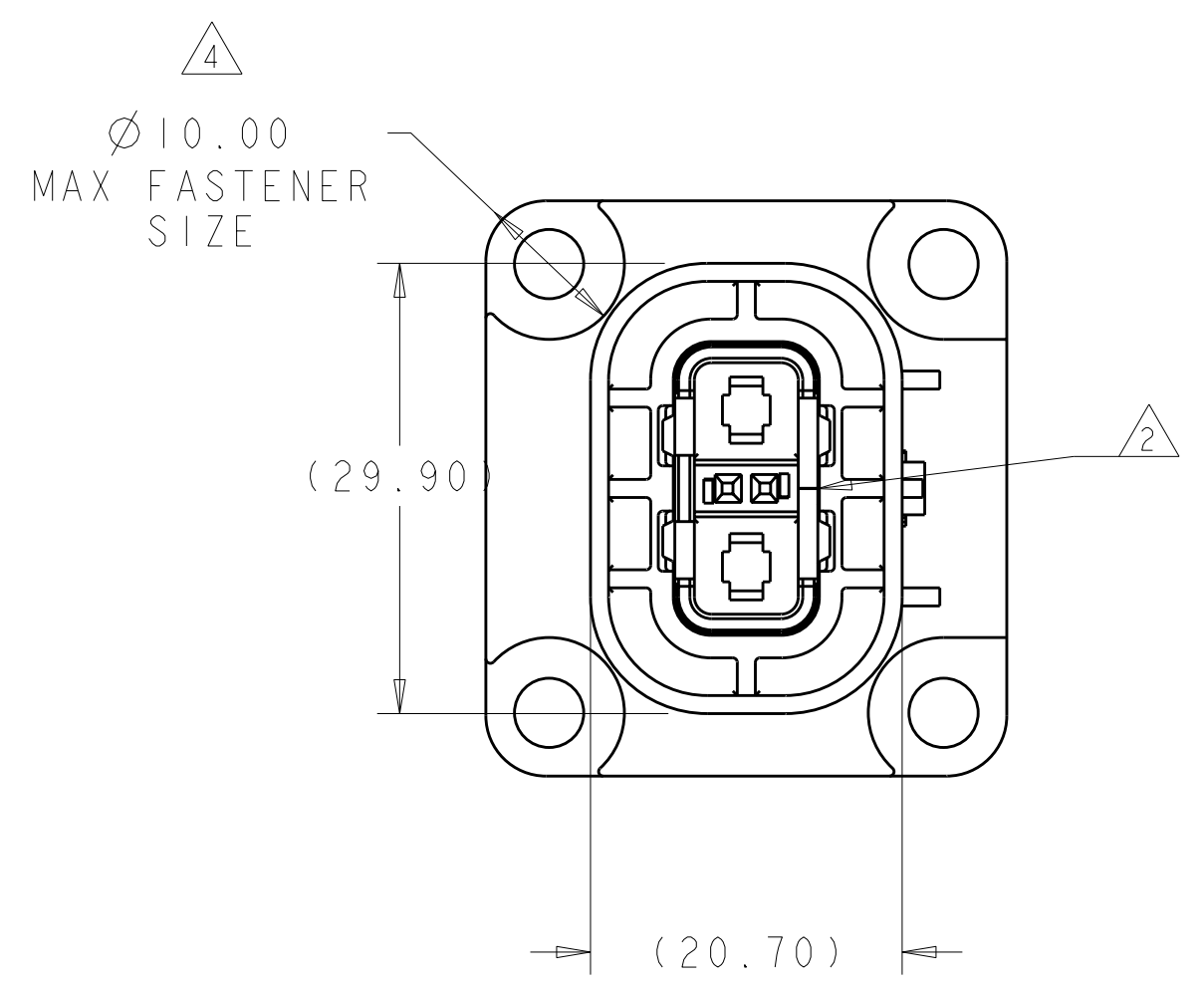
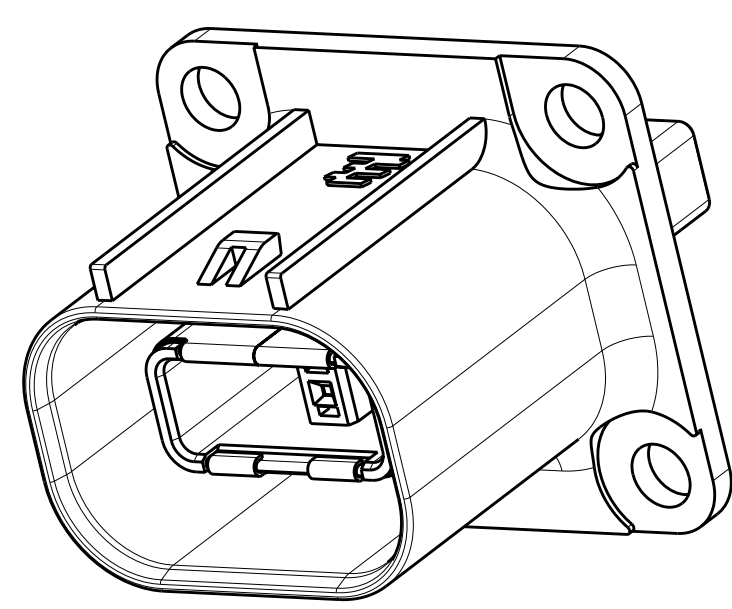
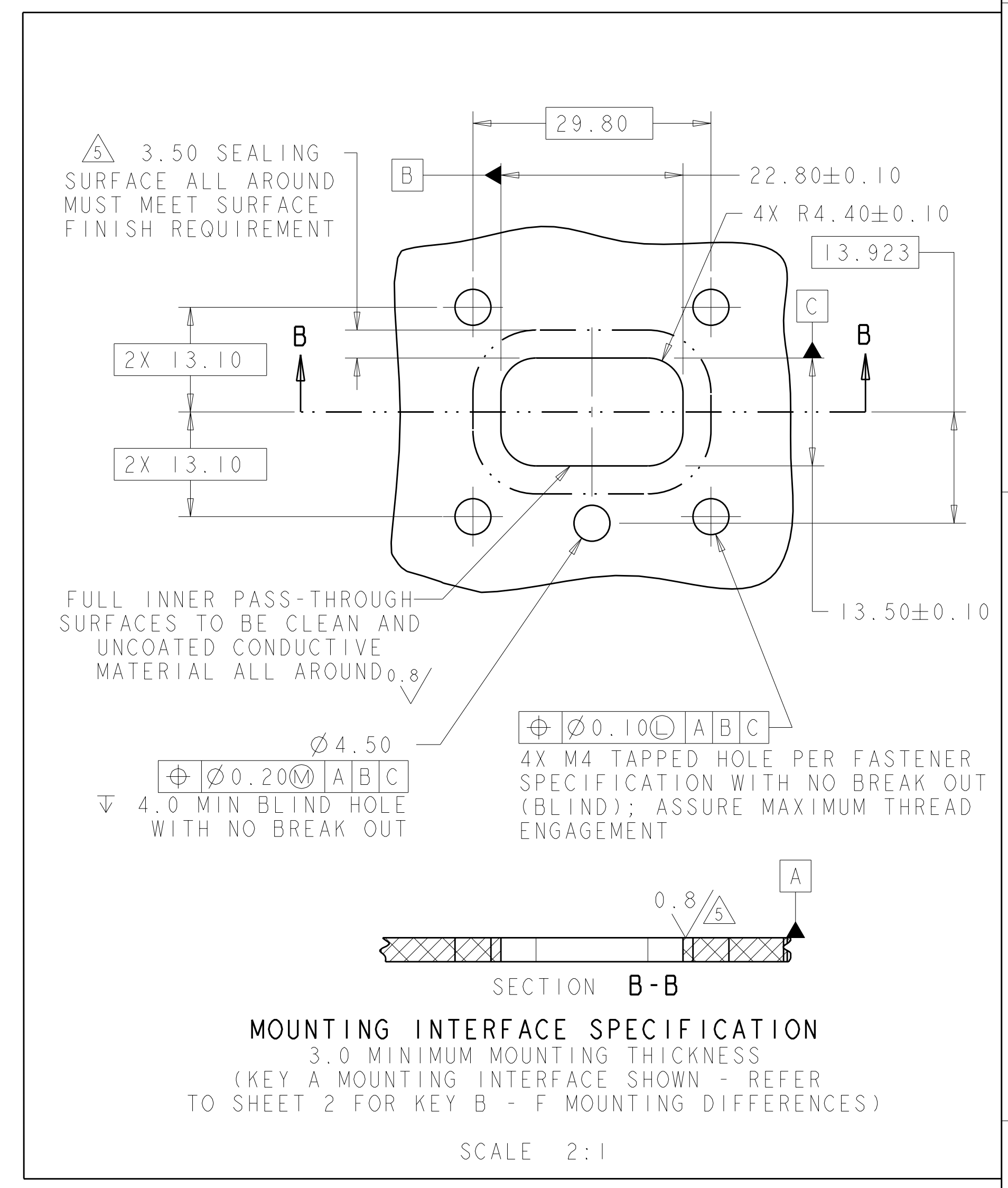
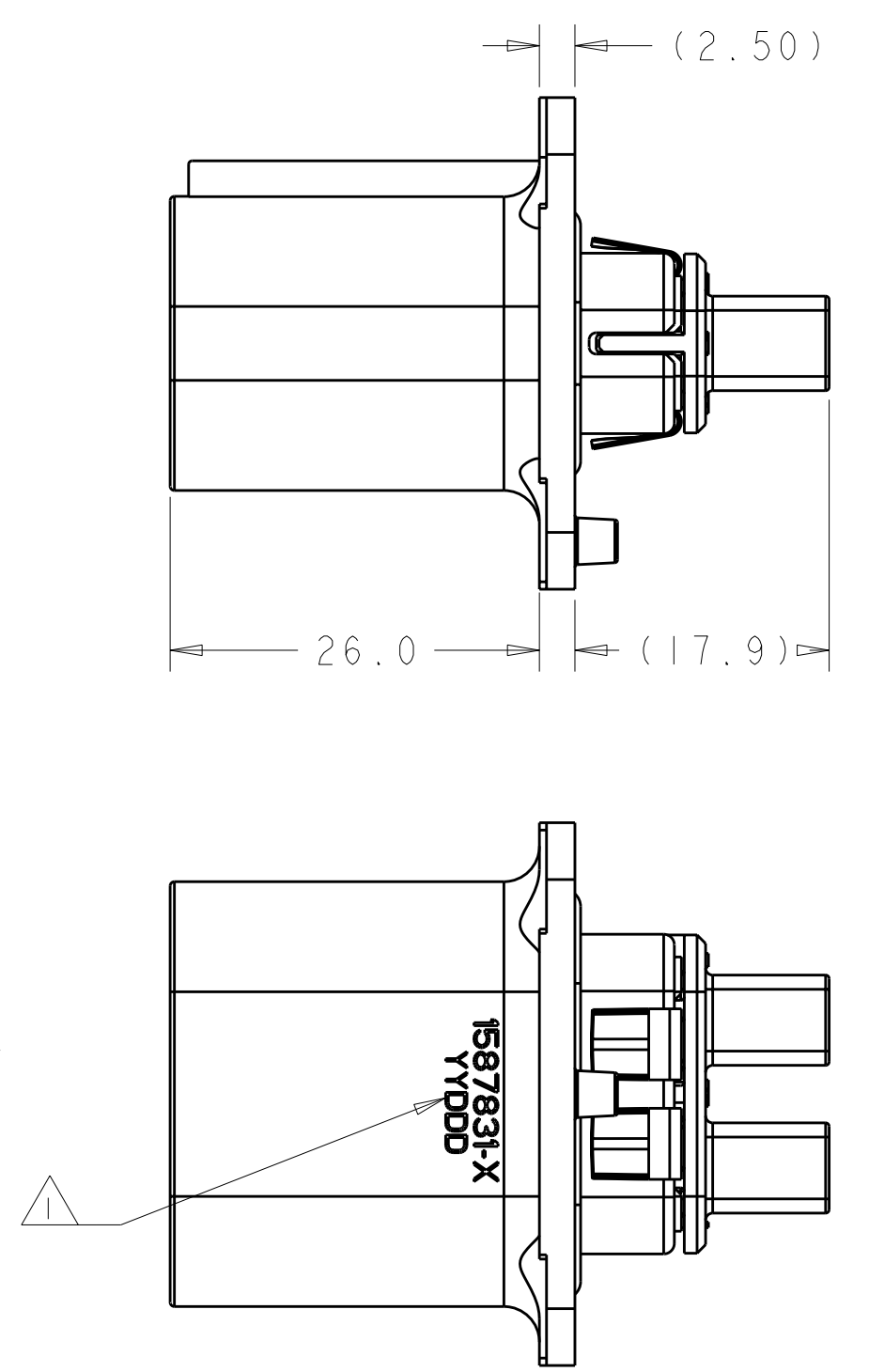


LOC	DIST	REVISIONS			
		REV	DATE	BY	APPD
HV	00	D1	27APR2011	RK	HMR
		D2	14OCT2011	DS	TD



- 1 IDENTIFICATION MARKING ON THIS SURFACE CONTAINS ASSEMBLY P/N AND DATE CODE (YYDD). TEXT ORIENTATION, SIZE, AND LOCATION CAN VARY AS LONG AS TEXT IS LOCATED ON SURFACE SHOWN AND READABLE.
- 2 SHIELD SEAM CAN BE POSITIONED AS SHOWN OR ROTATED 180° FROM POSITION SHOWN.
- 3 PRELIMINARY PART - NOT RELEASED FOR PRODUCTION
- 4 THESE DIMENSIONS DEFINE FASTENER SIZE LIMITS FOR PROPER COMPONENT FUNCTIONALITY. THESE ARE NOT PRODUCT FEATURES - NO INSPECTION REQUIRED FOR THESE ITEMS.
- 5. MATERIALS:
 OUTER HOUSING: CAST ALUMINUM WITH BLACK ELECTRO-COAT
 SHIELD: TIN PLATED COPPER ALLOY
 INNER HOUSING: PA66



INDEX	PART NO
3	F 1587831-6
3	E 1587831-5
	D 1587831-4
3	C 1587831-3
	B 1587831-2
	A 1587831-1

THIS DRAWING IS A CONTROLLED DOCUMENT.		DWN T. DEWILTE 25NOV2008	STE TE Connectivity	
DIMENSIONS: mm		CHK T. DEWILTE	NAME HVA 280 2P HEADER ASSY W/HVIL CHART DRAWING	
TOLERANCES UNLESS OTHERWISE SPECIFIED:		APVD	PRODUCT SPEC 108-2394	
Ø PLC ±0.10		APPLICATION SPEC 408-10294		
PLC ±0.10		SIZE CAGE CODE DRAWING NO A100779C=1587831		
PLC ±0.013		RESTRICTED TO		
PLC ±0.001		WEIGHT 24.36 g		
ANGLES ±0.0001		CUSTOMER DRAWING		
FINISH		SCALE 2:1 SHEET 1 OF 2 REV D2		

LOC	DIST	REVISIONS			
REV	DATE	DESCRIPTION	DATE	BY	APPD
00		SEE SHEET 1			

	1587831-1 (KEY A)	1587831-2 (KEY B)	1587831-3 (KEY C) OBSOLETE	1587831-4 (KEY D)	1587831-5 (KEY E)	1587831-6 (KEY F)
FRONT VIEW						
SIDE VIEW						
REAR VIEW						
INTERFACE VIEW - MOUNTING SIDE						
	KEY A MOUNTING INTERFACE SCALE 3:2	KEY B MOUNTING INTERFACE SCALE 3:2	OBSOLETE KEY C MOUNTING INTERFACE SCALE N/A	KEY D MOUNTING INTERFACE SCALE 3:2	KEY E MOUNTING INTERFACE SCALE 3:2	KEY F MOUNTING INTERFACE SCALE 3:2

THIS DRAWING IS A CONTROLLED DOCUMENT. DWN: T. DEWILTE 25NOV2008
 CHK: T. DEWILTE
 APVD: T. DEWILTE

STE TE Connectivity

PRODUCT SPEC: 108-2394
 APPLICATION SPEC: 408-10294
 WEIGHT: 24.36 g

NAME: HVA 280 2P HEADER ASSY W/HVIL
 CHART DRAWING

SIZE: CAGE CODE: DRAWING NO: A100779
 C=1587831

CUSTOMER DRAWING SCALE: 2:1 SHEET: 2 OF 2 REV: D2