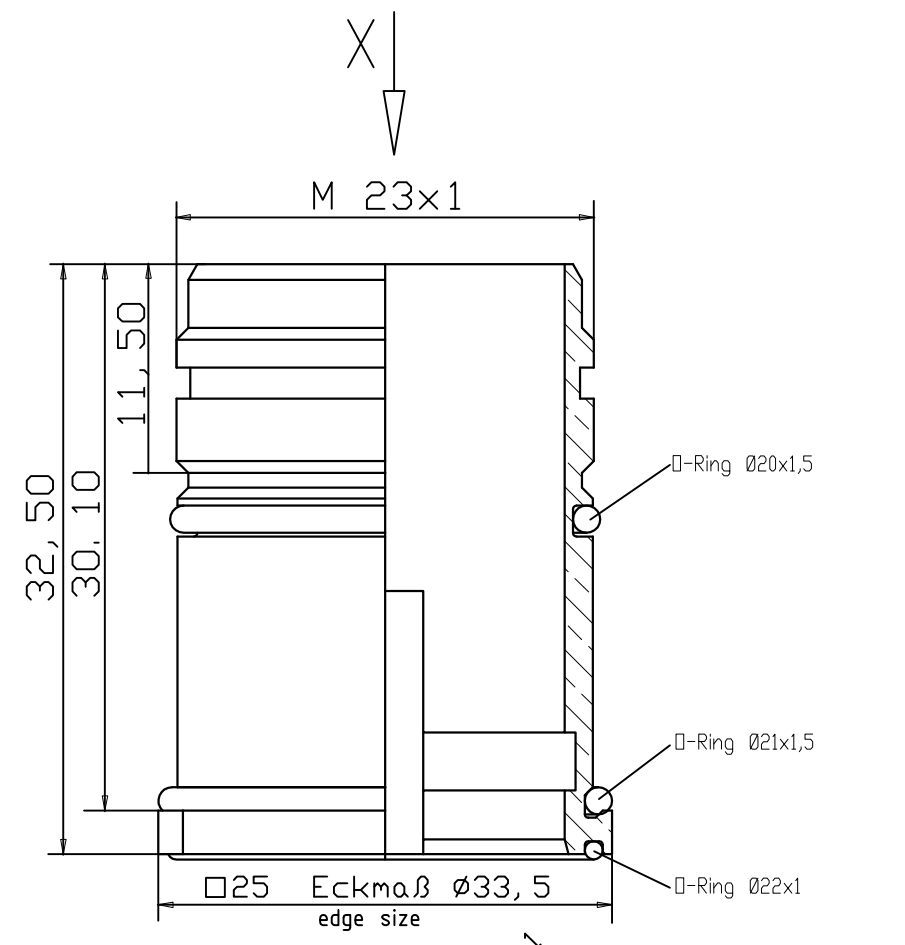
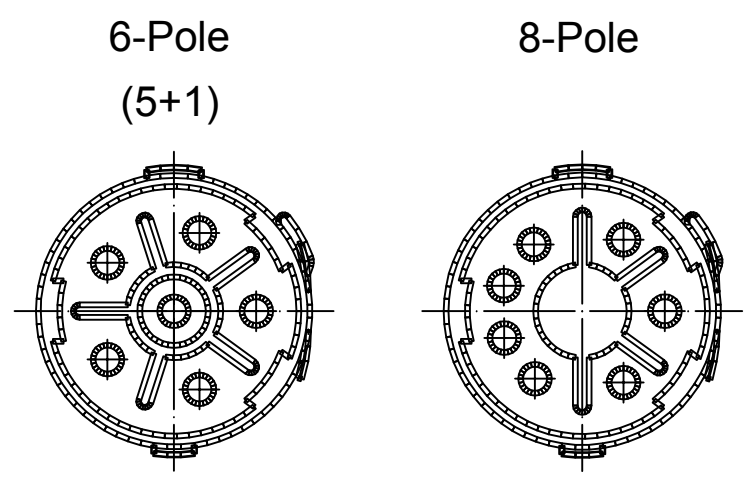
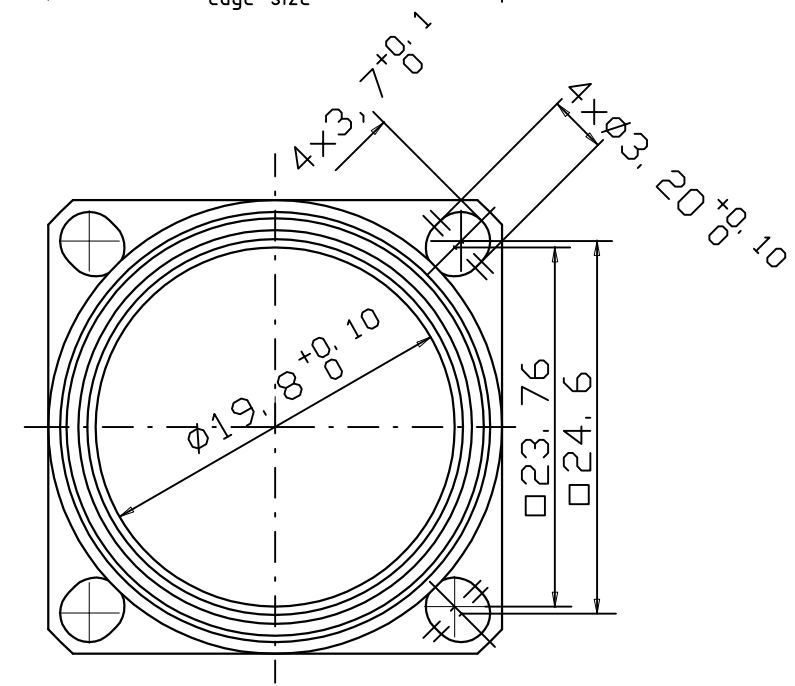


# Views from "X" rotated



	Cable Diameter	Crimp Contacts	Without Contacts
6 Pole (5+PE)		KRP6G46-1031 1202340017	KRP6G46-0031 1202340018
	Crimp range*	0,75-2,5mm <sup>2</sup>	
8 Pole (4+3+PE)		KRP8G46-1131 1202340019	KRP8G46-0031 1202340020
	Crimp range*	0,25-1,0mm <sup>2</sup> /0,75-2,5mm <sup>2</sup>	

\*Crimp range only applies to "Crimp Contacts" version



Notes:  
Tolerances (unless specified): DIN ISO 2768 m

DESCRIPTION EC NO: WEU2009-0135 DRWN: BBRAUCH 2008/11/21 CH'KD: --- APPR: JKOLB 2009/03/02	QUALITY SYMBOLS ▽ = 0 ▽C = 0	GENERAL TOLERANCES (UNLESS SPECIFIED) mm INCH 4 PLACES ±---- ±---- 3 PLACES ±---- ±---- 2 PLACES ±0.05 ±---- 1 PLACE ±0.1 ±---- ANGULAR ± --- °	DIMENSION STYLE MM DRAWN BY DATE BB 2008/11/21 CHECKED BY DATE JKO 2008/12/09 APPROVED BY DATE --- ---	SCALE ---	DESIGN UNITS METRIC	FIRST ANGLE PROJECTION	
	DRAFT WHERE APPLICABLE MUST REMAIN WITHIN DIMENSIONS		MATERIAL NO. see table	M23 BACK PM RECEPT. MALE FLANGE-MOUNT 4 X DIA 3.2MM		MOLEX INCORPORATED	
	REV 1	THIS DRAWING CONTAINS INFORMATION THAT IS PROPRIETARY TO MOLEX INCORPORATED AND SHOULD NOT BE USED WITHOUT WRITTEN PERMISSION		DOCUMENT NO. SD-120234-005	SHEET NO. 1 OF 1		