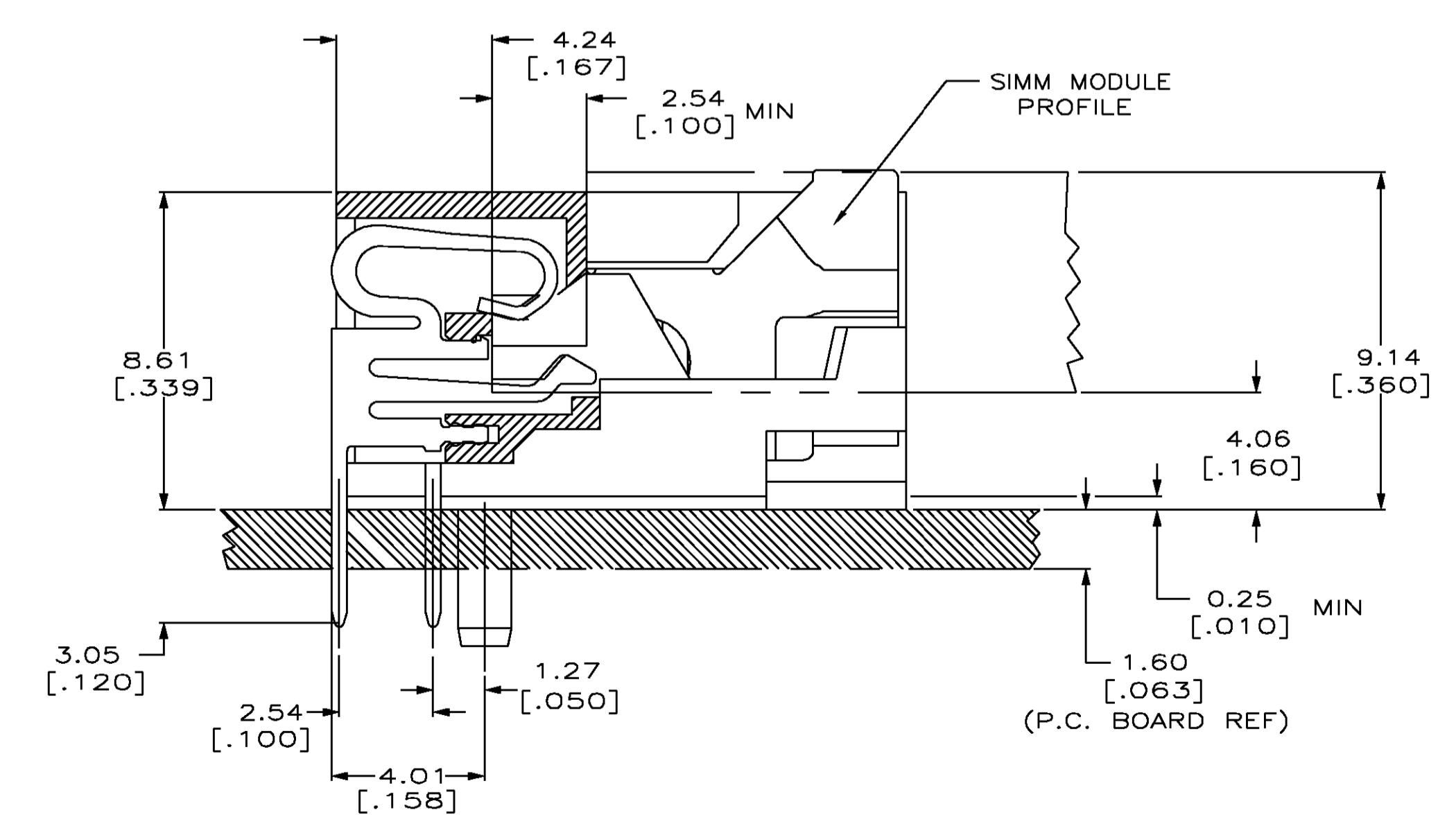
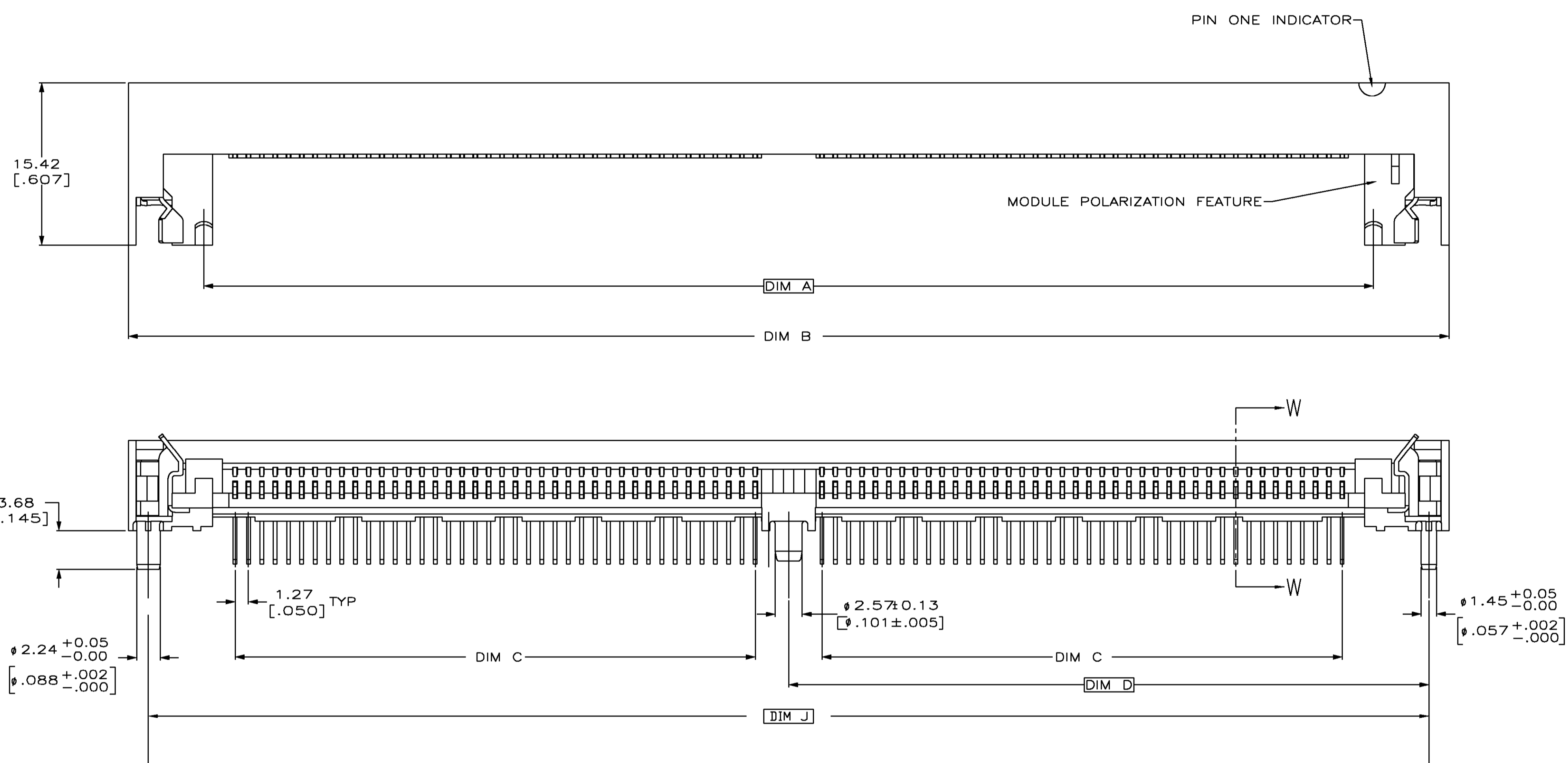


THIS DRAWING IS UNPUBLISHED.
 RELEASED FOR PUBLICATION
 COPYRIGHT BY TYCO ELECTRONICS CORPORATION. ALL RIGHTS RESERVED.

| LOC | | DIST | | REVISONS | | | |
|-----|------|------|------|-------------------------|---------|----|------|
| # | DATE | BY | APPD | DESCRIPTION | DATE | BY | APPD |
| GP | 00 | F | | PER REV EC 051D-0134-00 | 27FEB01 | MM | JR |

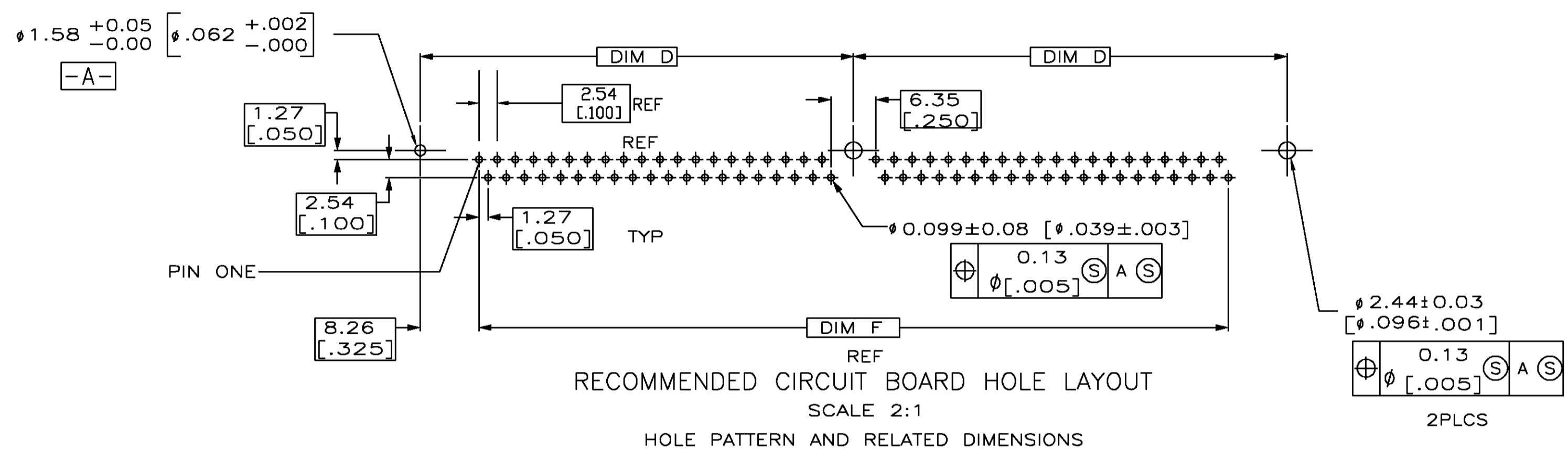


SECTION W-W
 SCALE 8:1

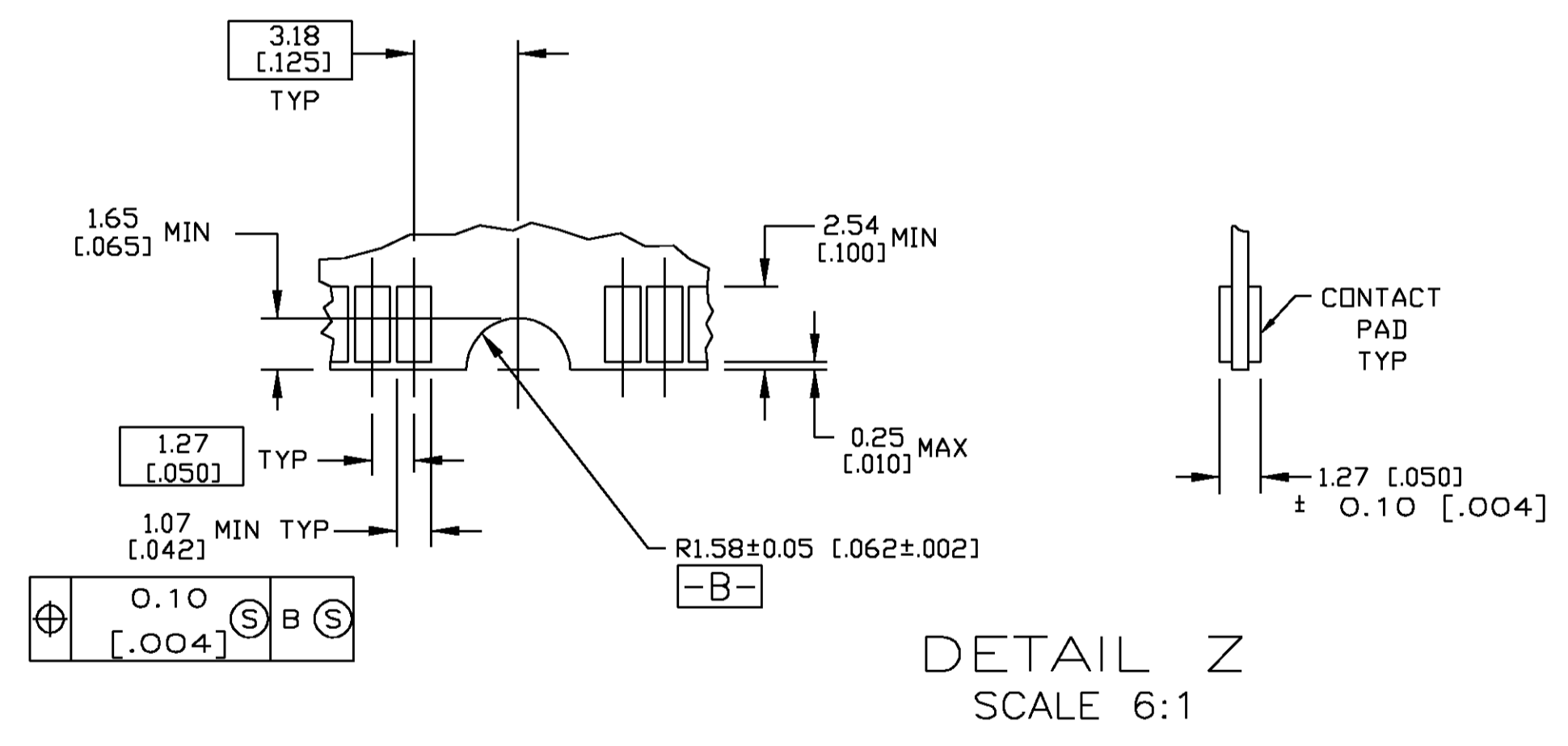
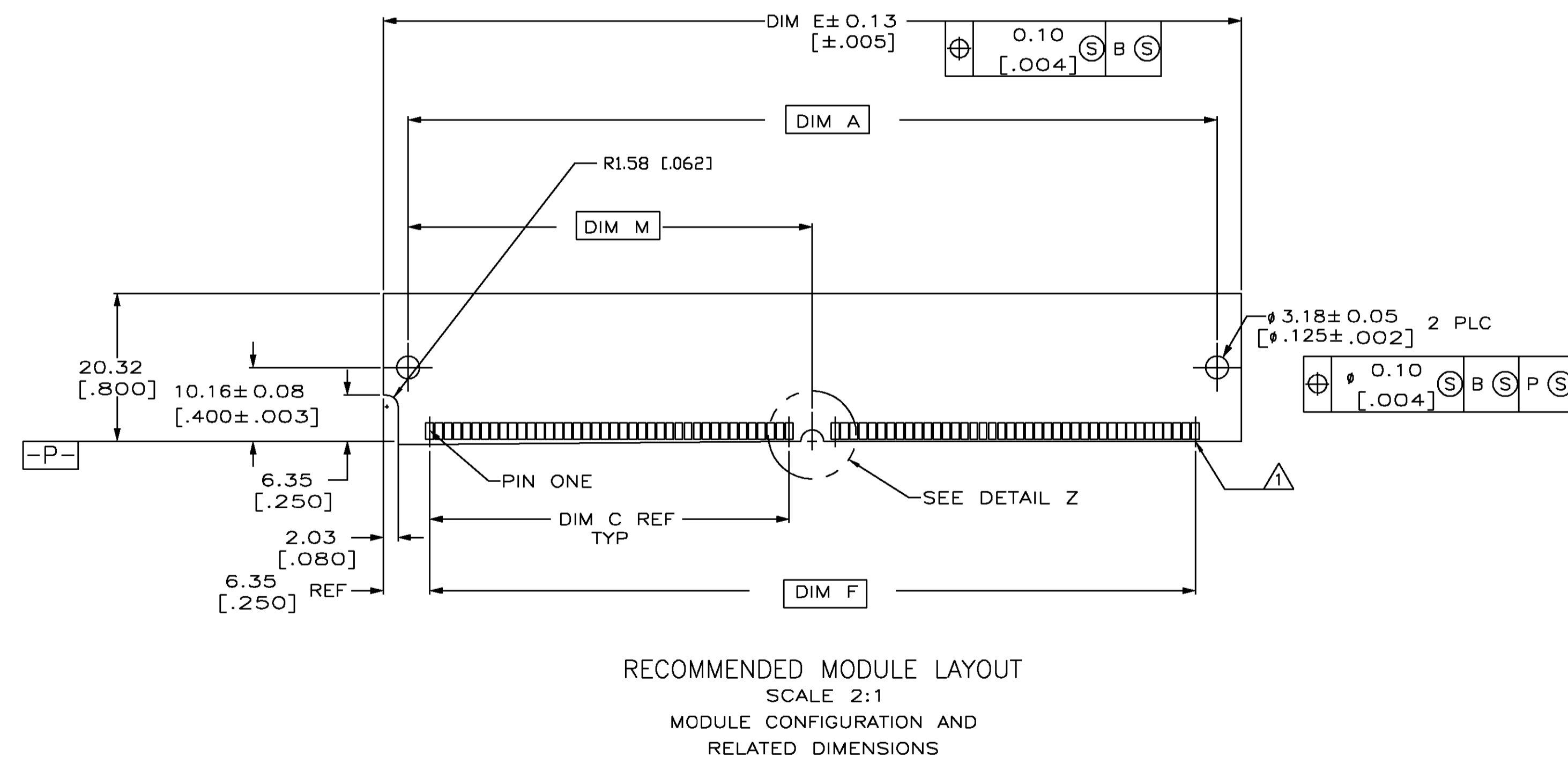
| | | | | | |
|--|-------------|---|---------|---|-----|
| THIS DRAWING IS A CONTROLLED DOCUMENT. | | DRW R. TALLEY | 7-27-90 | AMP Tyco Electronics Corporation mt. Joy, pa 17552 | |
| DIMENSIONS: INCHES | | TOLERANCES UNLESS OTHERWISE SPECIFIED: | APVD | NAME | |
| 0 PLC | ± | | | PRODUCT SPEC | |
| 1 PLC | ± | | | APPLICATION SPEC | |
| 2 PLC | ± | | | RESTRICTED TO | |
| 3 PLC | ± | | | SIZE | |
| 4 PLC | ± | | | CAGE CODE | |
| ANGLES | ± | | | DRAWING NO | |
| MATERIAL | FINISH | WEIGHT | | A1 00779 | |
| HSS | CLASS REINF | | | 382483 | |
| CUSTOMER DRAWING | | | SCALE | SHEET | REV |
| | | | 4:1 | 1 OF 2 | F |

THIS DRAWING IS UNPUBLISHED.
 RELEASED FOR PUBLICATION
 © COPYRIGHT BY TYCO ELECTRONICS CORPORATION. ALL RIGHTS RESERVED.

| REVISONS | | DATE | BY | APPD |
|----------|-----------|------|----|------|
| GP | 00 | | | |
| F | SEE SHT 1 | - | - | - |



- △ FOR OPTIMUM PERFORMANCE, CONTACT PAD PLATING SHOULD BE SMOOTH AND FLAT. COPPER CONTACT PADS ARE TO BE OVERPLATED WITH .00127[.000050] MIN THK NICKEL FOLLOWED WITH 0.00101[.000040] MIN THK GOLD PLATING.
- △ CONTACT MATING AREA:
 0.00076 [.000030] MIN THICK GOLD.
 SOLDERTAIL:
 0.00381 [.000150] MIN THK TIN-LEAD.
 UNDERPLATE:
 0.00127 [.000050] MIN THK NICKEL OVER ENTIRE CONTACT.



| | | | | | | | | | | |
|----------|--------------|---------------|---------------|---------------|--------------|--------------|---------------|---------------|------|------------|
| OBSOLETE | 58.22[2.292] | 127.00[5.000] | 110.49[4.350] | 123.19[4.850] | 63.50[2.500] | 52.07[2.050] | 130.81[5.150] | 116.43[4.584] | 84 | 8-382483-4 |
| OBSOLETE | 55.68[2.192] | 121.92[4.800] | 105.41[4.150] | 118.11[4.650] | 60.96[2.400] | 49.53[1.950] | 125.73[4.950] | 111.35[4.384] | 80 | 8-382483-0 |
| | 50.60[1.992] | 111.76[4.400] | 95.25[3.750] | 107.95[4.250] | 55.88[2.200] | 44.45[1.750] | 115.57[4.550] | 101.19[3.984] | 72 | 7-382483-2 |
| OBSOLETE | 48.06[1.892] | 106.68[4.200] | 90.17[3.550] | 102.87[4.050] | 53.34[2.100] | 41.91[1.650] | 110.49[4.350] | 96.11[3.784] | 68 | 6-382483-8 |
| OBSOLETE | 30.28[1.192] | 71.12[2.800] | 54.61[2.150] | 67.31[2.650] | 35.56[1.400] | 24.13[.950] | 74.93[2.950] | 60.55[2.384] | 40 | 4-382483-0 |
| | DIM M | DIM J | DIM F | DIM E | DIM D | DIM C | DIM B | DIM A | POSN | |

THIS DRAWING IS A CONTROLLED DOCUMENT.

DRW: R. TALLEY 7-27-90
 CHK: -
 NAME: AMP Tyco Electronics Corporation mt. joy, pa 17552

DIMENSIONS: INCHES -
 TOLERANCES UNLESS OTHERWISE SPECIFIED: APVD -
 PRODUCT SPEC: -
 APPLICATION SPEC: -
 MATERIAL: - FINISH: - WEIGHT: -

SIZE: A1 CAGE CODE: 00779 DRAWING NO: 382483
 RESTRICTED TO: -
 CUSTOMER DRAWING: - SCALE: 4:1 SHEET: 2 OF 2 REV: F