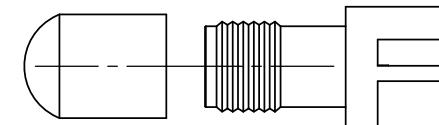
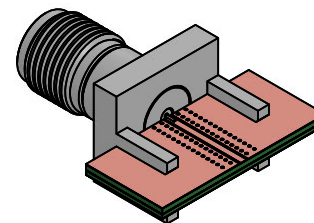
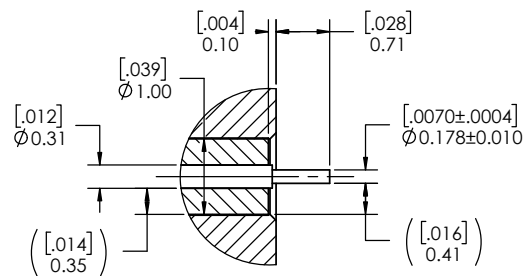
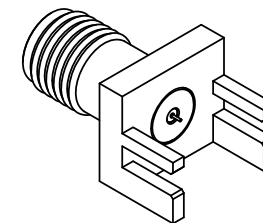
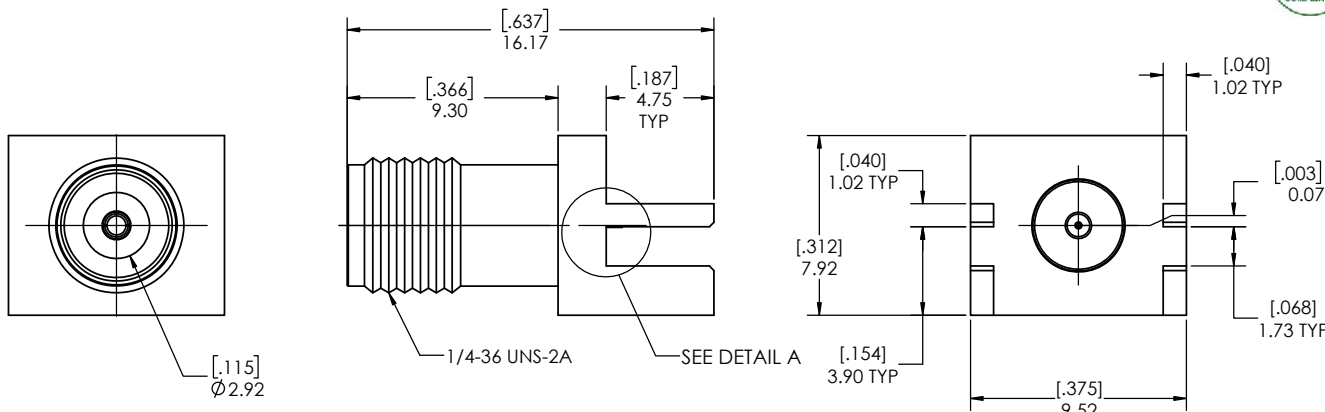




REVISIONS			
REV.	DESCRIPTION	DATE	APPROVED
-	INITIAL RELEASE	07/03/2018	MM
1	UPDATED PART NUMBER	10/24/2018	DL
2	ADDED SHEET 2 PCB DEFINITION	2/20/2019	PV
3	ADDED SECTION VIEW	3/12/2019	PV



PROTECTION CAP

DETAIL A
SCALE 20:1

- NOTE(S):
- These characteristics are typical and for reference.
 - DYH: 61-20019-12070
 - See sheet 2 for PCB interface definition.

MATERIAL(S) :	ELECTRICAL(S) :	MECHANICAL(S) :	ENVIRONMENTAL(S) :
Body: Brass Center Conductor: Beryllium Copper Insulator: Insulator 1: PCTFE, white Insulator 2: PTFE, white RoHS Compliant Protective Cap Soft PVC Color: Yellow	Impedance: 50 Ohms Nominal Frequency Range: DC to 40 GHz VSWR: 1.3:1 max at 40 GHz Working Voltage: 400 Vrms max @ Sea Level Dielectric Withstand Voltage: 500 Vrms max. Insulation Resistance: 5000 Megohms min. Contact Resistance: Initial: Center Contact: 1.5 Milliohms max Outer Contact: 0.8 Milliohms max	Mating Characteristics: Interface per MIL-STD-348 Force to Engage & Disengage: Torque: 2 inch-pounds max Longitudinal Force: NA Connector Durability: 500 Cycles min. Permeability: Less than 2.0 mu. Center Contact Retention: Axial Force: 6 pounds min. Radial Force: NA	Temperature Range: -65°C to +165°C Moisture Resistance: MIL-STD-202, Method 103, Test Condition B Corrosion: MIL-STD-202, Method 101, Test Condition B Vibration: MIL-STD-202, Method 204, Test Condition A Shock: MIL-STD-202, Method 213, Test Condition 1

FINISH(ES) :	APPLICABLE CARLISLE IT DOCUMENTS			TOLERANCES AND NOTES	APPROVAL	INITIALS	DATE	DRAWING NO.
	WORK STANDARD	PROD INSTRUC	ASSY INSTRUC					
Body: Gold Plating Center Conductor: Gold Plating	NA	NA	NA	EXCEPT AS NOTED	DRAWN BY	MM	07.03.18	 Dongguan City, Guangdong P.R. China 523533 TITLE: 2.92mm STRAIGHT JACK, EDGE MOUNT (MANUAL SOLDER) SCALE: 8:1 SUB-DIRECTORY/OUTLINE/ SHEET 1 OF 2 REV. 2 TMB-E9FS-1S1
				THIRD ANGLE PROJECTION	CHECKED BY	KM	07.03.18	
				SCALE 8:1	DESIGN ENG			
				DIMENSIONS ARE IN [INCHES] MM	APPR BY			
				ANGLES ±2°				
				.XX DECIMALS ±.063 .XXX DECIMALS ±.01				

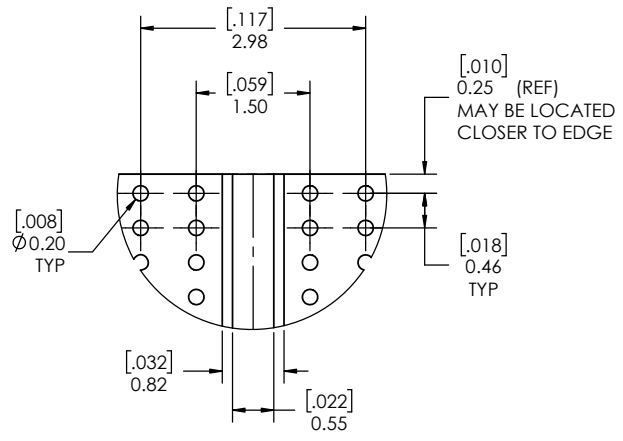
NOTICE
 THIS DRAWING EMBODIES A CONFIDENTIAL PROPRIETARY DESIGN ORIGINATED BY CARLISLE INTERCONNECT TECHNOLOGIES & ALL DESIGN, MANUFACTURING, REPRODUCTION, USE & SALE RIGHTS REGARDING THE SAME ARE EXPRESSLY RESERVED. IT IS GRANTED UNDER A CONFIDENTIAL RELATIONSHIP FOR A SPECIFIED PURPOSE & THE RECIPIENT AGREES BY ACCEPTING THIS DRAWING NOT TO SUPPLY OR DISCLOSE ANY INFORMATION REGARDING IT TO ANY UNAUTHORIZED PERSON TO INCORPORATE IN OTHER PROJECTS ANY SPECIAL FEATURES PECULIAR TO THIS DESIGN. ALL PATENT RIGHTS HERETO ARE EXPRESSLY RESERVED BY CARLISLE INTERCONNECT TECHNOLOGIES, GERRITOS, CALIFORNIA 90703

4

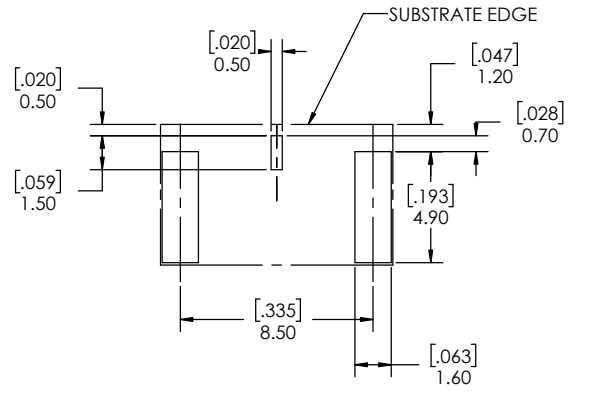
3

2

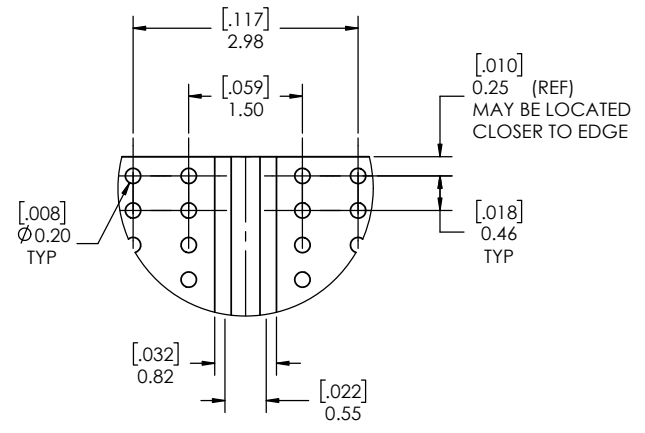
1



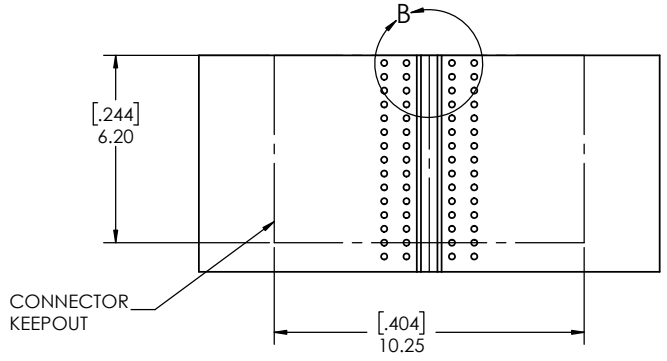
DETAIL B
SCALE 20 : 1



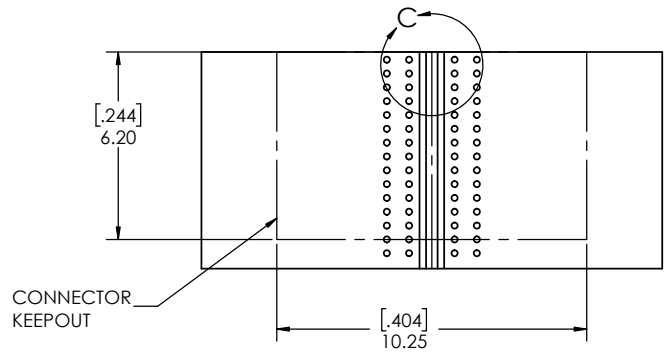
SOLDER PASTE STENCIL
SCALE 6:1



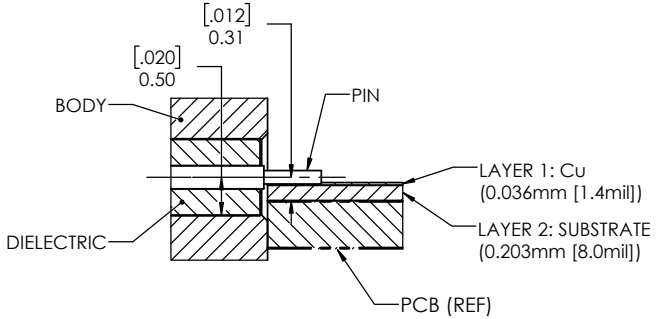
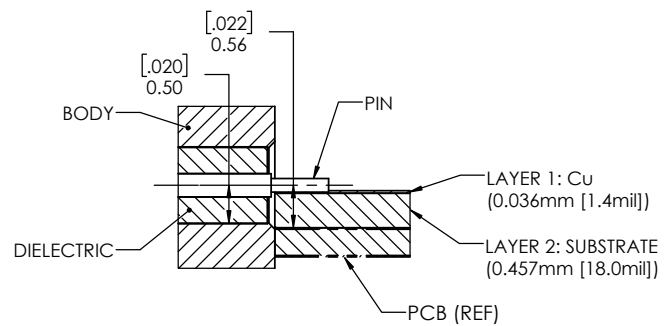
DETAIL C
SCALE 20 : 1



PCB LAYOUT OPTION 1
0.457mm [18.0mil] THICK SUBSTRATE (LAYER 2)



PCB LAYOUT OPTION 2
0.203mm [8.0mil] THICK SUBSTRATE (LAYER 2)



PCB LAYOUT
(FOR REFERENCE ONLY)

SCALE	SUB-DIRECTORY/	SHEET 2 OF 2
8:1		
SIZE	CAGE CODE	DRAWING NO.
C		TMB-E9FS-1S1
		REV. 3

4

3

2

1