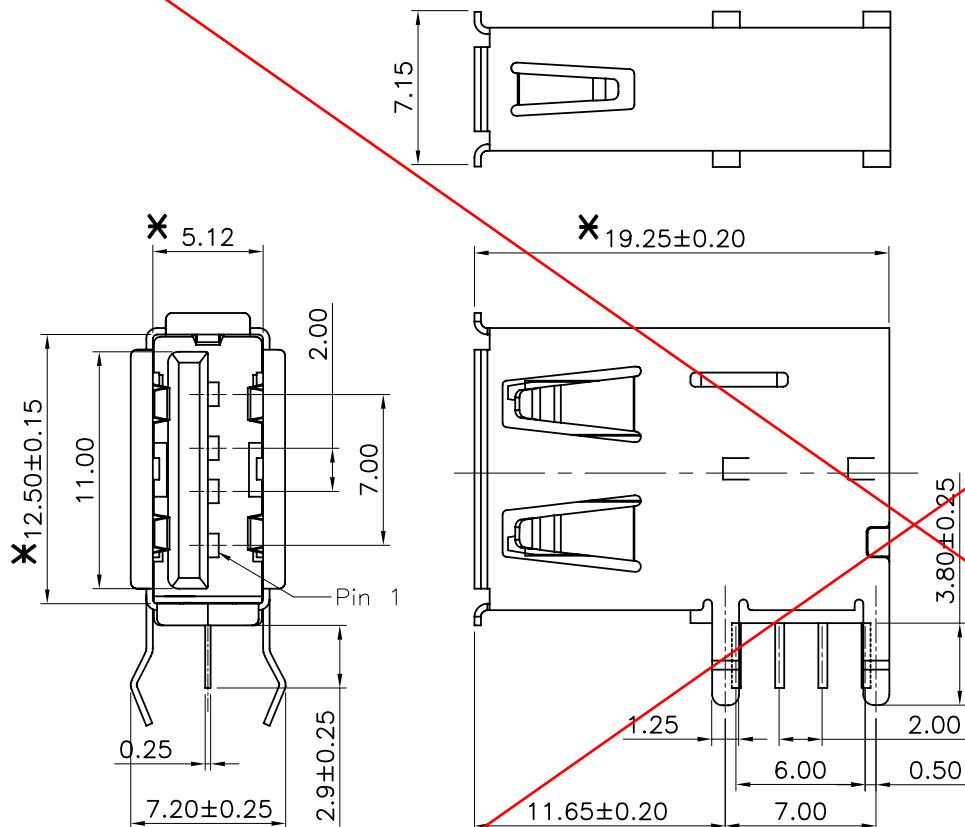


**OBSOLETE**

## SPECIFICATIONS:

MATERIAL:-

MOULDING: PBT+30%GF, UL94V-0

CONTACT: PHOSPHOR BRONZE

SHELL: BRASS

FINISH:-

CONTACT: GOLD ON MATING END

TIN ON SOLDERING LEADS

SHELL: NICKEL

ELECTRICAL:-

CURRENT RATING: 1.0 A

VOLTAGE RATING: 30V AC/DC

DIELECTRIC WITSTANDING VOLTAGE: 500V AC/MINUTE

CONTACT RESISTANCE: 30 mΩ MAX.

INSULATION RESISTANCE: 1000 MΩ MIN.

ENVIRONMENTAL:-

TEMPERATURE RANGE:  $-55^{\circ}\text{C} \sim +85^{\circ}\text{C}$ 

NOTES: ALL DIMENSIONS AND NOTES  
MARKED \* ARE CRITICAL AND  
MUST BE CHECKED IN ACCORDANCE  
WITH QUALITY DOC. Q1-02A

Recommended PCB Layout

Tolerance:  $\pm 0.05$ 

Allan	3	22.12.09	A254
Allan	2	07.12.09	A250
Allan	1	01.08.06	-

NAME	ISS.	DATE	C/NOTE
------	------	------	--------

APPROVED: *Paul*CHECKED: *Paul*

DRAWN: Allan

CUSTOMER REF.:

ASSEMBLY DRG:

**HARWIN**

HARWIN USA  
TEL: 603 893 5376  
FAX: 603 893 5396  
mis@harwin.com

HARWIN Europe (UK)  
TEL: 023 9231 4545  
FAX: 023 9231 4590  
mis@harwin.co.uk

HARWIN Asia  
TEL: +65 6 779 4909  
FAX: +65 6 779 3868  
mis@harwin.com.sg

THIS DRAWING AND ANY  
INFORMATION OR DESCRIPTIVE  
MATTER SET OUT HEREON ARE  
CONFIDENTIAL AND COPYRIGHT  
PROPERTY OF THE HARWIN  
GROUP AND MUST NOT BE  
DISCLOSED, LOANED, COPIED  
OR USED FOR MANUFACTURING,  
TENDERING OR FOR ANY  
OTHER PURPOSE WITHOUT  
THEIR WRITTEN PERMISSION.

## TOLERANCES

X. =  $\pm 1\text{mm}$   
X.X =  $\pm 0.20\text{mm}$   
X.XX =  $\pm 0.15\text{mm}$   
X.XXX =  $\pm 0.05\text{mm}$

ANGLES =  $\pm 5^{\circ}$ 

UNLESS STATED

## MATERIAL:

SEE NOTES

FINISH: SEE NOTES

S/AREA: mm<sup>2</sup>

## TITLE:

USB A TYPE FEMALE DIP UPRIGHT

## DRAWING NUMBER:

M701-250442

SHT  
1  
OF  
1