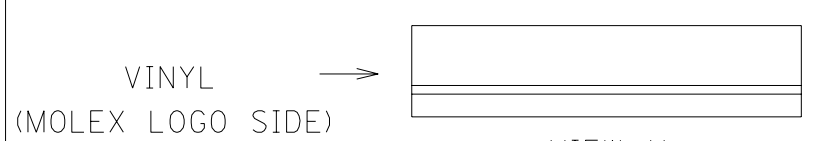


DWG. NO. SD-35303-001

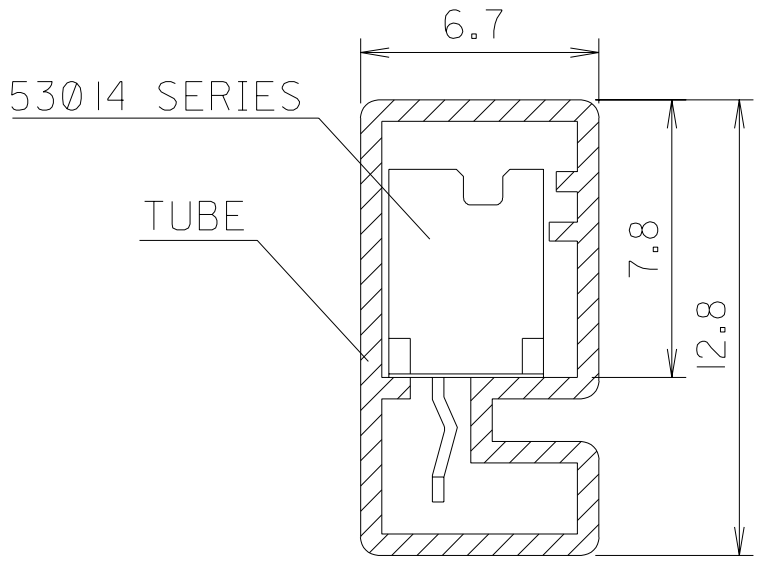
SIMILAR ITEM

PROJECT NO.



NOTES
 1. TUBE : STOPPER & VINYL LOCKING TYPE
 2. THICKNESS : 0.6+
 3. LENGTH : 550mm

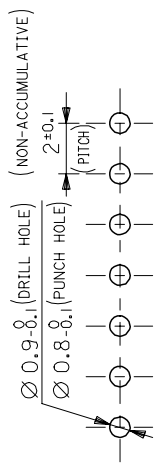
LEGEND 35303-*** 5 *
 COLOR : 0 --- NATURAL
 1 --- BLACK
 2 --- RED
 3 --- YELLOW
 4 --- BLUE
 CKT (02, 03, 04, ...)



15	35303155*	35303-155*	8	35303085*	35303-085*	53014 SERIES	
14	35303145*	-145*	7	35303075*	-075*		
13	35303135*	-135*	6	35303065*	-065*		
12	35303125*	-125*	5	35303055*	-055*		
11	35303115*	-115*	4	35303045*	-045*		
10	35303105*	-105*	3	35303035*	-035*		
9	35303095*	35303-095*	2	35303025*	35303-025*		
CKTS	MAT'L NO.	ENG NO.	CKTS	MAT'L NO.	ENG NO.		USED ON

NEW RELEASED EC NO. KOR2004-0124 DRWN: K.S.KIM (040324) CH'K: J.K.OH APPR: C.W.LEE	DESCRIPTION MAJOR CRITICAL	GENERAL TOLERANCES: (UNLESS SPECIFIED)		SCALE NONE	DESIGN UNITS <input checked="" type="checkbox"/> mm <input type="checkbox"/> INCH	THIRD ANGLE PROJECTION	DIMENSIONS: <input type="checkbox"/> mm <input type="checkbox"/> INCH <input checked="" type="checkbox"/> mm ONLY	SHT REV
		4 PLACES ±0. ±. 3 PLACES ±0. ±. 2 PLACES ±0. ±. 1 PLACE ±0. ±.	DRAWN BY & DATE H.S.SHIN (910220)	TITLE: TUBE PACKAGED FOR 53014 SERIES			REVISE ON CAD ONLY	
A	REV	ANGULAR: ± °		APPROVED BY & DATE C.W.LEE	MOLEX INCORPORATED KOREA			SHEET NO. 1 OF 1
		DRAFT WHERE APPLICABLE MUST REMAIN WITHIN DIMENSIONS		CAD FILENAME SD-35303-001	MATERIAL NO. SEE TABLE	DRAWING NO. SD-35303-001	SIZE A	

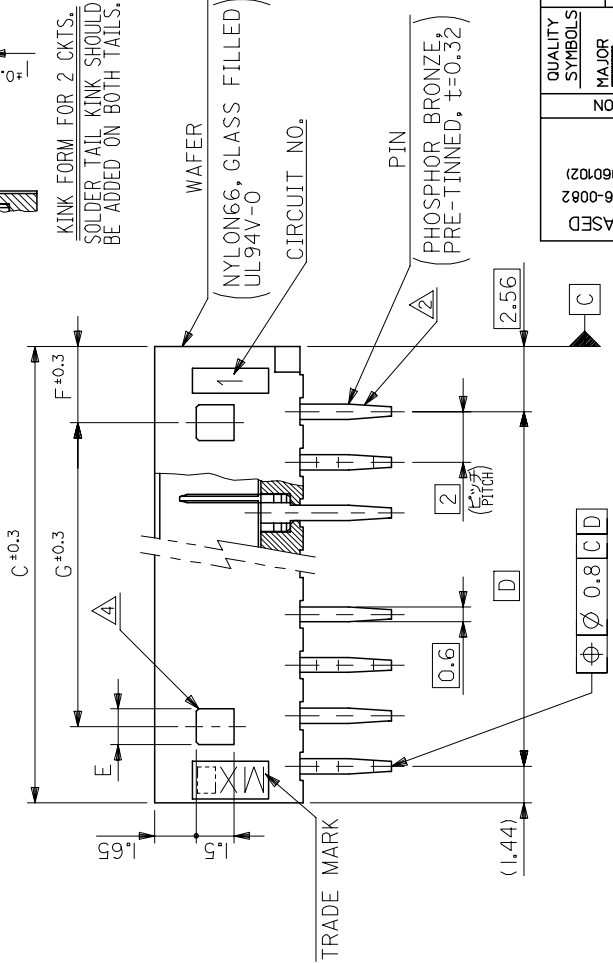
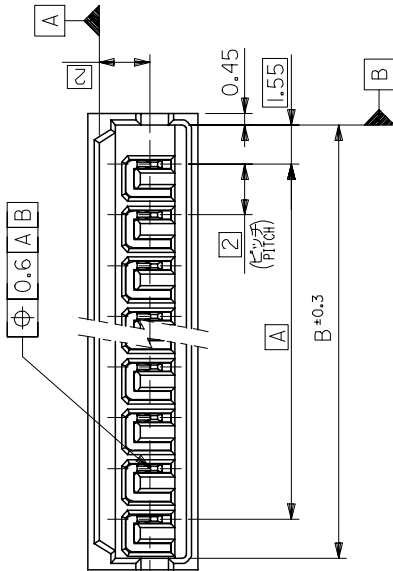
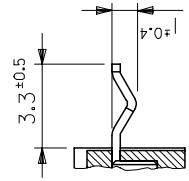
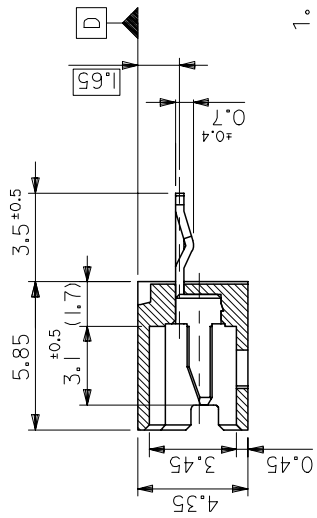
THIS DRAWING CONTAINS INFORMATION THAT IS PROPRIETARY TO MOLEX INCORPORATED AND SHOULD NOT BE USED WITHOUT WRITTEN PERMISSION.



RECOMMENDED P.C.BOARD
HOLE DIMENSION(REFERENCE) t=1.6

NOTES

- MATES WITH : 51004-***00
- KINK TO BE ADDED ON THE ODD NUMBER SOLDER TAILS.(FROM THE TRADE MARK SIDE.)
- * MARK INDICATES DYED COLOR :
"0" NATURAL, "1" BLACK, "2" RED, "3" YELLOW, "4" BLUE
- LOCKING HOLE : 1 PLACE FOR 2, 3 CKTS. AND MORE THAN 4 CKTS.



PROJECT NO.	SCALE	DESIGN UNITS	THIRD ANGLE PROJECTION	APPLIED ITEM	ENG. NO.	ENG NO. Δ	NO. OF CKTS.
26	3	1.4	28	31.1	28	53014-15*	35303-155*
24	3	1.4	26	29.1	26	-14*	35303-145*
22	3	1.4	24	27.1	24	-13*	35303-135*
20	3	1.4	22	25.1	22	-12*	35303-125*
18	3	1.4	20	23.1	20	-11*	35303-115*
16	3	1.4	18	21.1	18	-10*	35303-105*
14	3	1.4	16	19.1	16	-09*	35303-095*
12	3	1.4	14	17.1	14	-08*	35303-085*
10	3	1.4	12	15.1	12	-07*	35303-075*
8	3	1.4	10	13.1	10	-06*	35303-065*
6	3	1.4	8	11.1	8	-05*	35303-055*
4	3	1.4	6	9.1	6	-04*	35303-045*
3	4	3.4	4	7.1	4	-03*	35303-035*
2	3	1.4	2	5.1	2	53014-02*	35303-025*
G	F	E	D	C	B	A	ENG. NO. Δ

GENERAL TOLERANCES: (UNLESS SPECIFIED)	SCALE	DESIGN UNITS	THIRD ANGLE PROJECTION	APPLIED ITEM	ENG. NO.	ENG NO. Δ	NO. OF CKTS.
4 PLACES ±0.	5:1	mm/inch	THIRD ANGLE PROJECTION	APPLIED ITEM	ENG. NO.	ENG NO. Δ	NO. OF CKTS.
3 PLACES ±0.							
2 PLACES ±0.							
1 PLACE ±0.							
ANGULAR: ±							

QUALITY SYMBOLS	DESCRIPTION	REV
MAJOR		
CRITICAL		

NEW RELEASED	DESCRIPTION	REV
DRWN: K.S.KIM (060102)		
CHK: Y.SOO/KIM		
APP: S.H.CHOI		

GENERAL TOLERANCES	ANGLE	30 OVER	10 OVER	30 UNDER	10 UNDER
	±3°	±0.3	±0.25	±0.2	

DO NOT SCALE DRAWING
DIMENSION IN METRIC