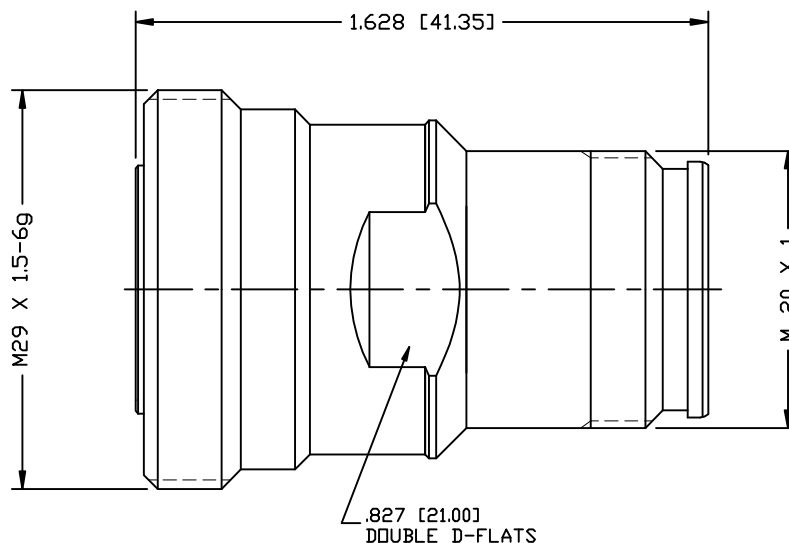


PART NO.

RFD-1685-4

REV	DESCRIPTION	DWN	DATE	APPROVED
-	ENGINEERING RELEASE	CZS	06/24/15	JDMc

**SPECIFICATIONS:**

IMPEDANCE: 50 Ohms

FREQUENCY RANGE: 0-6 GHz

VSWR: ≤ 1.15 PIM: $\leq -160\text{dBc}$

DIELECTRIC WITHSTANDING VOLTAGE: 2000V/AC

INSULATION RESISTANCE: 1000M Ω

OPERATING TEMPERATURE: -40° to +155°

CUSTOMER
OUTLINE DRAWINGALL DIMENSIONS
ARE REFERENCE ONLYUNLESS OTHERWISE SPECIFIED:
DIMENSIONS ARE IN INCHES
AND [MILLIMETERS]DRAWN
JDM 06/24/15

CHECKED

ORJ DRAWN
C. ZUNIGA 06/24/15

PROPRIETARY AND CONFIDENTIAL

THIS DRAWING CONTAINS
INFORMATION PROPRIETARY TO
RF INDUSTRIES. ANY
UNAUTHORIZED USE OF THIS
DRAWING IS EXPRESSLY
PROHIBITED WITHOUT WRITTEN
PERMISSION FROM RF
INDUSTRIES. ANY VIOLATION IS
PUNISHABLE UNDER U.S.
COPYRIGHT LAWS.**RFconnectors**7610 MIRAMAR RD.
SAN DIEGO, CA 92126
(858) 549-6340
DIVISION OF RF INDUSTRIES, LTD. (858) 549-6345 FAX**4.3/10 FEMALE TO
7-16 DIN FEMALE ADAPTER**

SIZE	CABLE GROUP	DWG NO.	REV
A	N/A	RFD-1685-4	—
SCALE:	ENGINEERING ID:	SHEET 1 OF 1	
NTS	001787		

#	DESCRIPTION	QTY	MATERIAL	FINISH
4	GROUND RING	1	BeCu	WHITE BRONZE
3	INSULATOR	1	PTFE	---
2	CONTACT	1	BeCu	SILVER
1	BODY	1	BRASS	WHITE BRONZE