

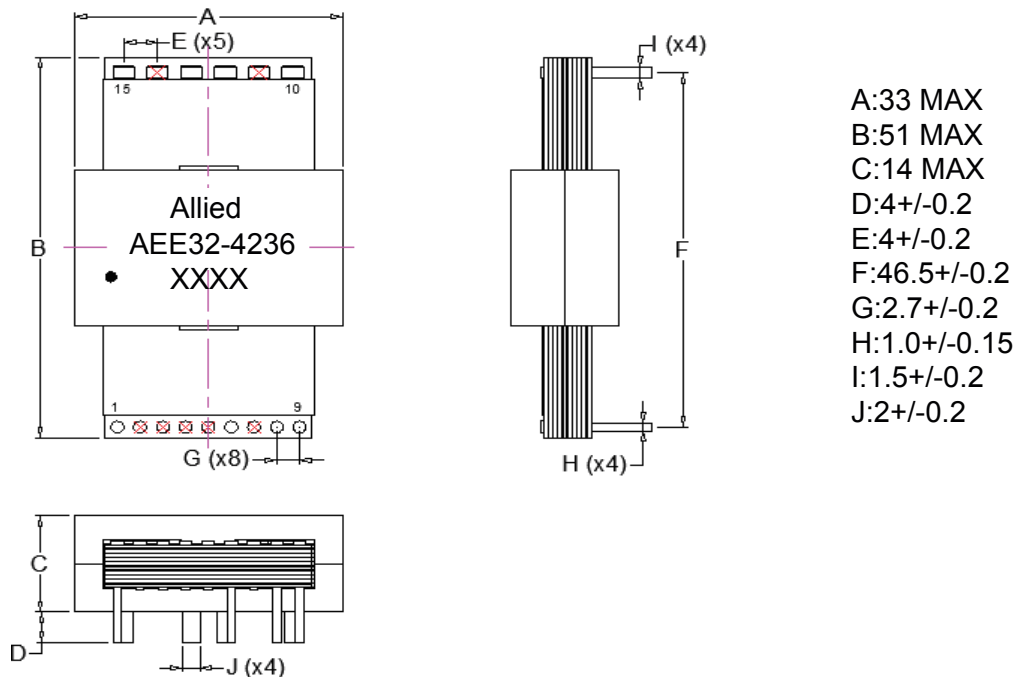
- EE32 Core Design
- Operating Temperature -40°C to +125°C

| Primary Electrical Specifications @ 25°C |            |                |  |
|--|------------|----------------|--|
| Test items                               | Test pin   | Standard range | Test Conditions                          |
| Primary Inductance                       | 1--6       | 100µH MIN      | 200KHz,0.1V @25°C                        |
| Leakage Inductance                       | 1--6       | 1.5µH MAX      | 200KHz,0.1V @25°C<br>Short secondary pin |
| DC Resistance                            | 1--6       | 30mΩ MAX       | @25°C                                    |
|  | 10--12     | 10mΩ MAX       |  |
|  | 13--15     | 10mΩ MAX       |  |
| HI-POT                                   | PRI.--SEC. | DC 2250V       | 1mA,1min                                 |
|  | Coil--Core | DC 500V        |  |

All specifications subject to change without notice.

### MECHANICAL

DIMENSION UNIT: mm

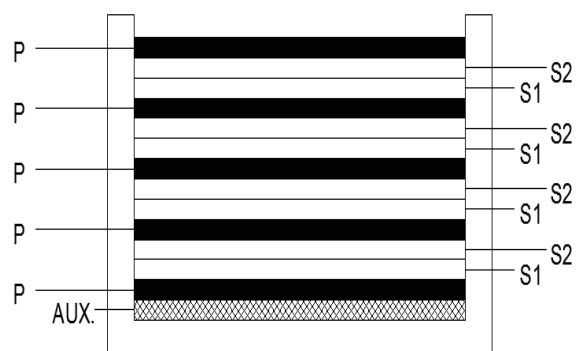
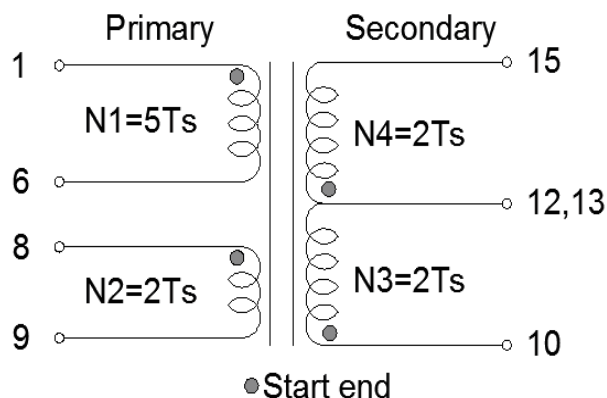


Note:  
Halves of core are fixed by glue



## Schematic

## Winding



| WINDING | Terminal |        | Wires Gauge     | Turns | Insulation Tape | Remarks   |
|---------|----------|--------|-----------------|-------|-----------------|---|
|         | Start    | Finish |                 |       |                 |   |
| N1      | 1        | 6      | Copper t=0.25mm | 5Ts   | 1L              | Preparation of plastic insulation on both sides |
| N2      | 8        | 9      | PCB 1oz         | 2Ts   | 1L              |   |
| N3      | 10       | 12     | Copper t=0.25mm | 2Ts   | 1L              |   |
| N4      | 13       | 15     | Copper t=0.25mm | 2Ts   | 1L              |   |

- 1) Input power of power supply : 400W ( 12Vdc/33.3Adc ) .
- 2) Frequency of transformer: 200KHz.
- 3) Output ripple frequency: 400KHz.
- 4) Topology: Phase shifted Full bridge, 2 diodes rectifier.
- 5) Input voltage of power stage: 36~75 Vdc link.
- 6) Input voltage of transformer: 35~74 Vpeak.
- 7) Duty cycle, max. (for 0.5V diode drop voltage): 2 x 0.444.
- 8) Maximum Volt-Sec product: 2 x 77.8 V-uSec.