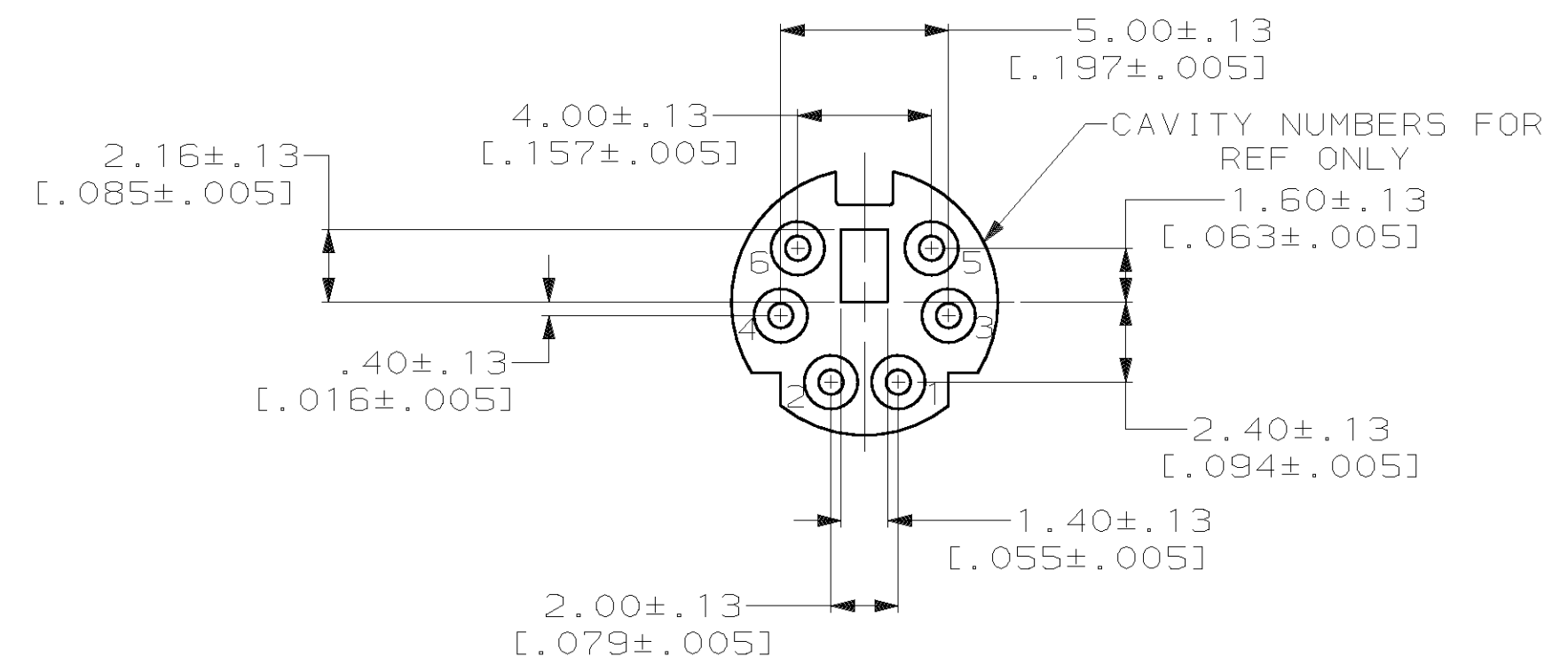
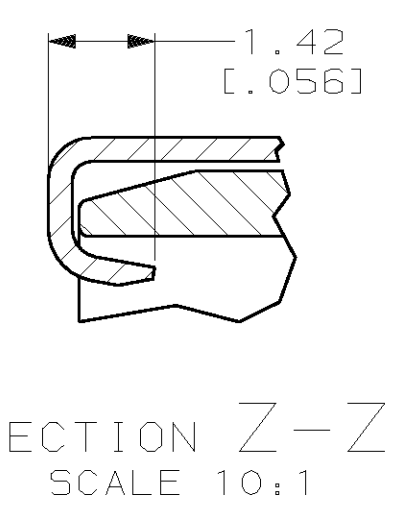
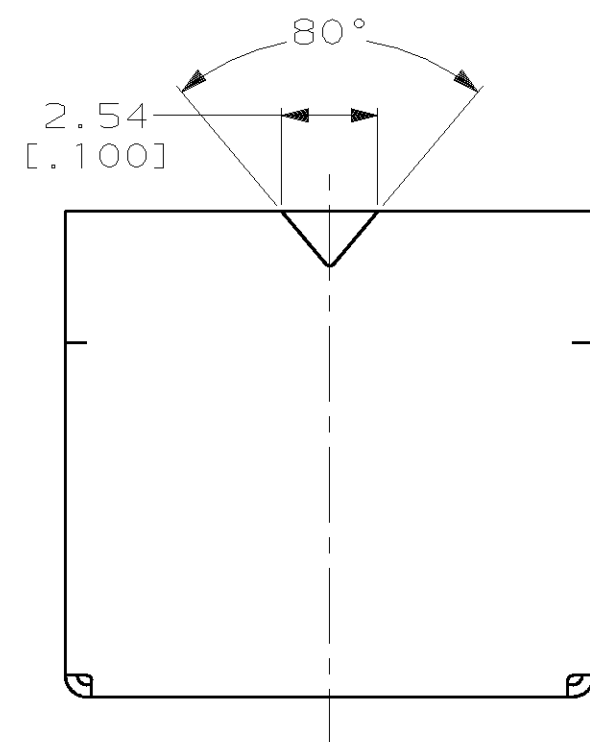
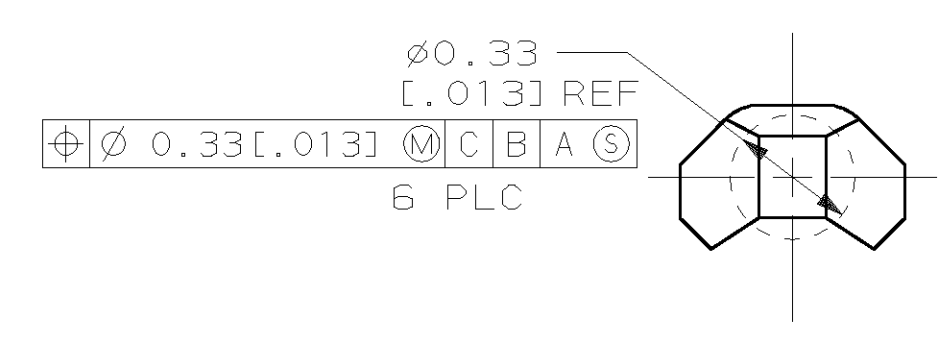
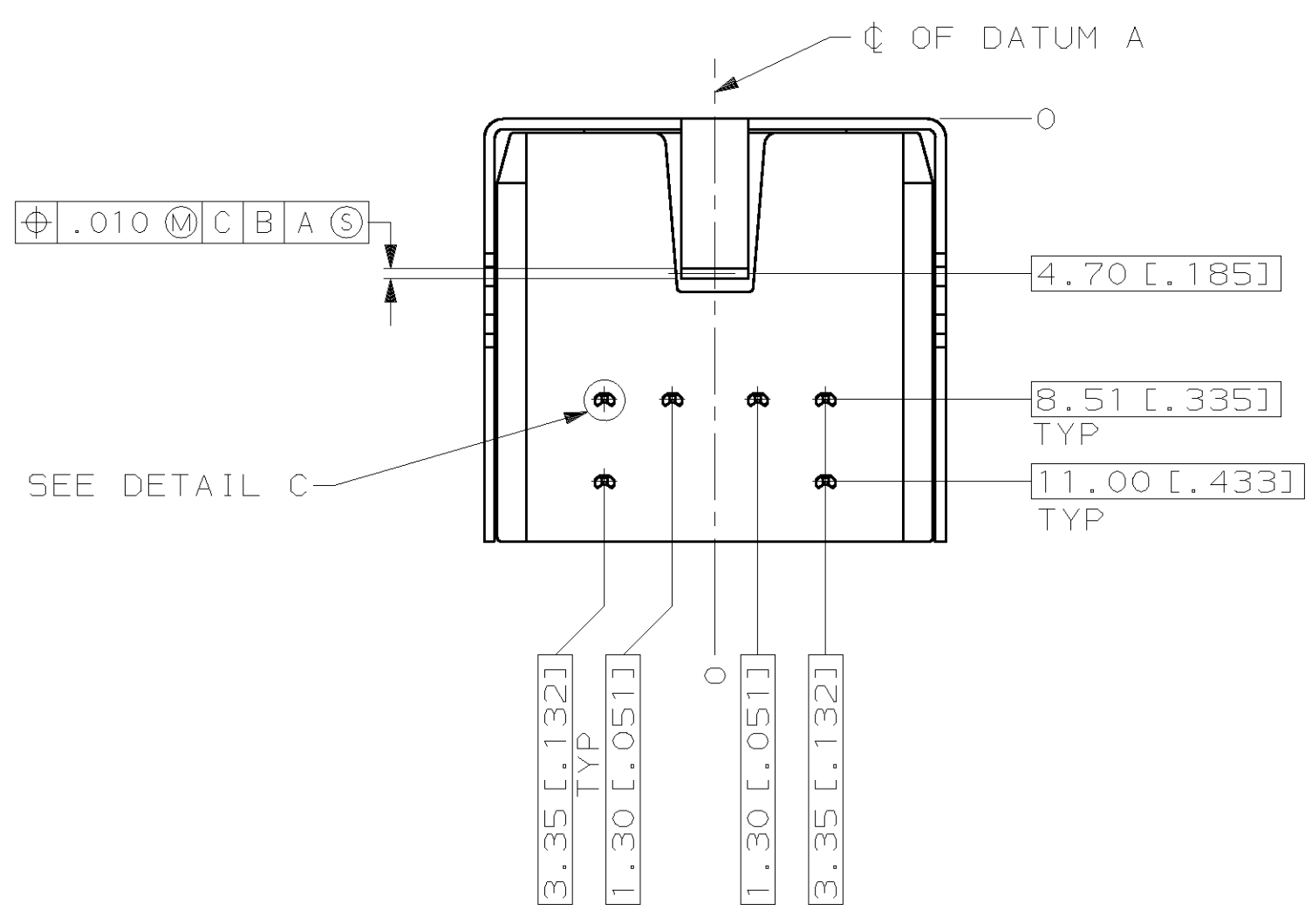
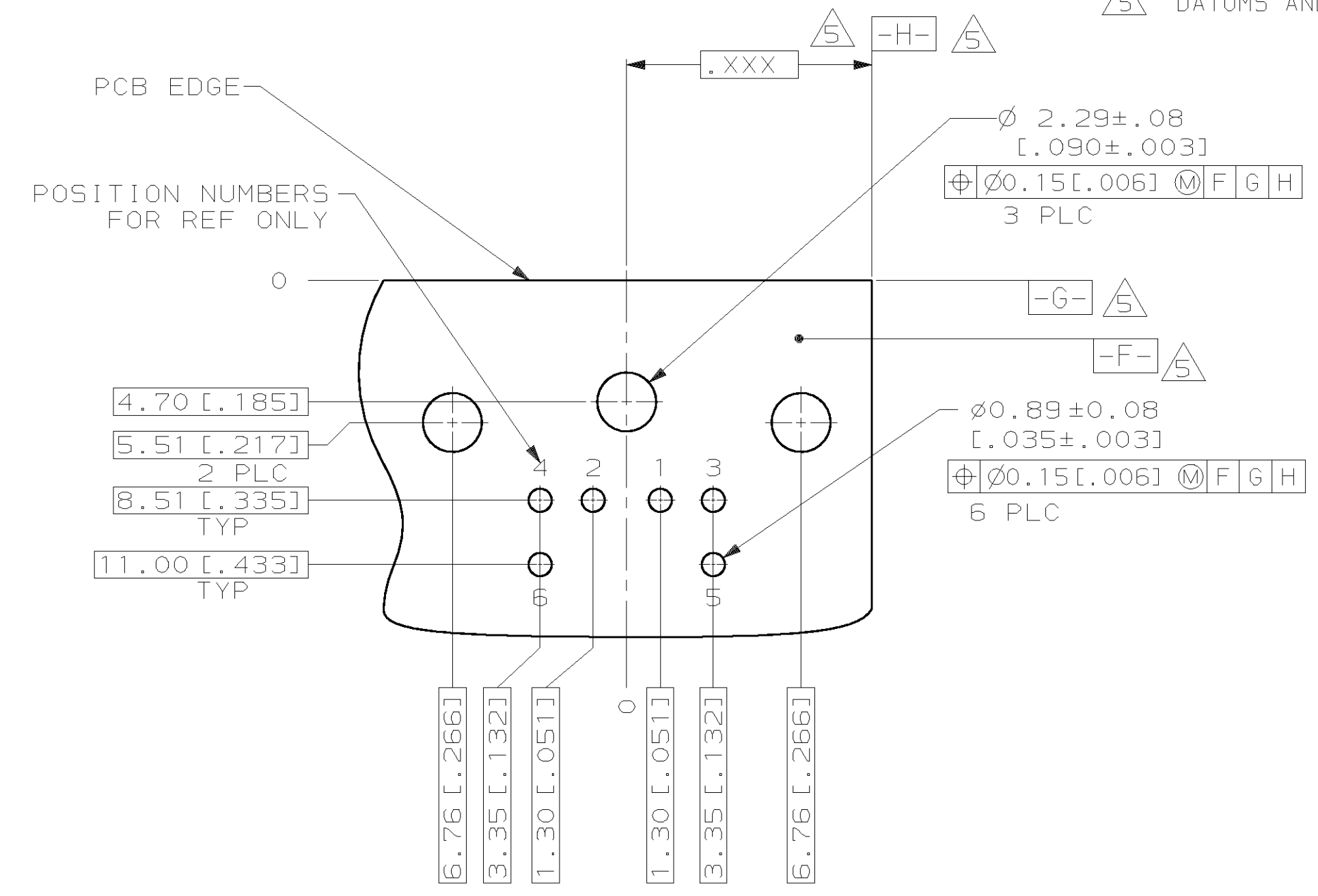
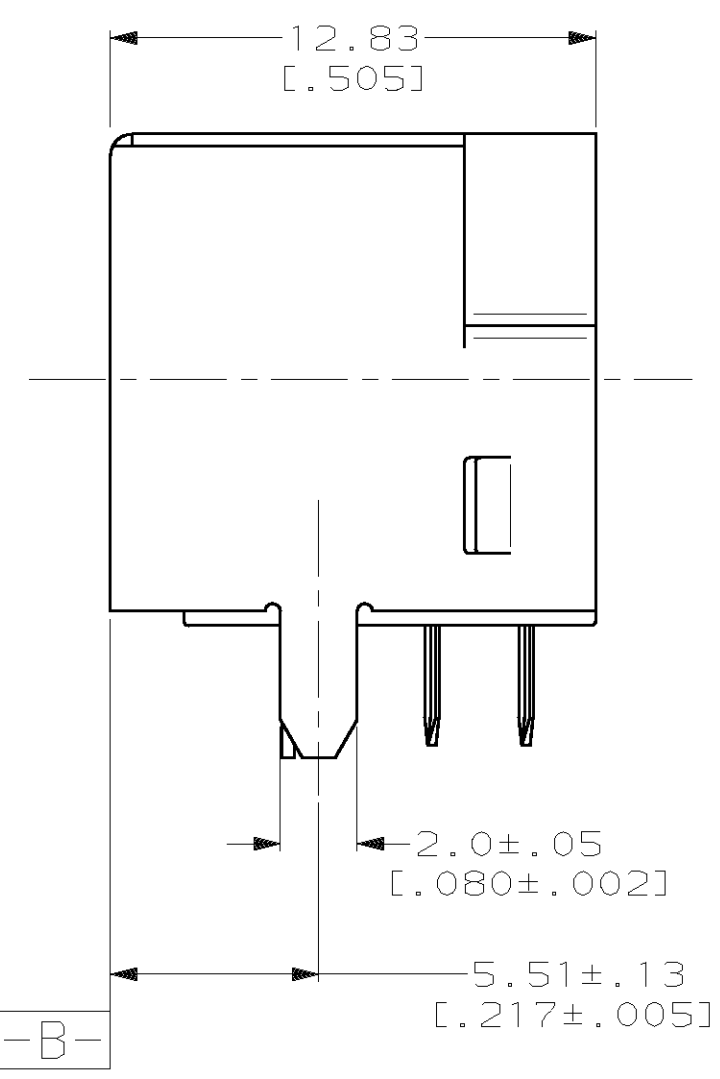
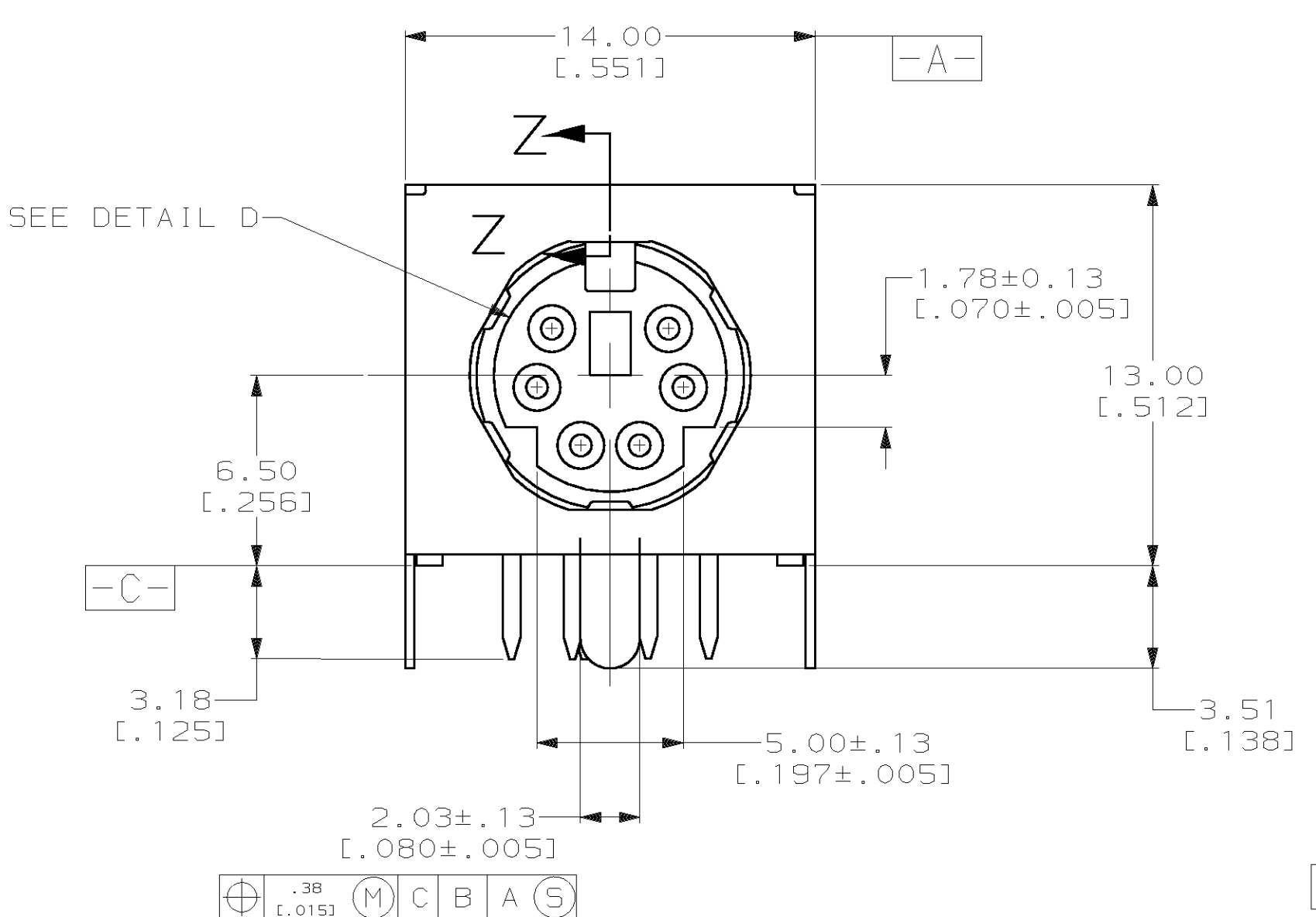


LOC	DIST	P	F	ZONE	LTR	DESCRIPTION	DATE	APPD
BD	26							
						RLSE NPR 2275 WAS 88-4837-19	01/05/89	-
						REVISED ECN-BD2959	05/09/89	RW
						REVISED ECN BD3043	06/20/89	-
						REV PER EC 0020-824-95	12 OCT 95	JH
						REV PER EC 0410-95-96	03 MAR 97	JGH
						REV PER EC 0410-198-97	09 JUN 97	JGH
						REV PER EC 0410-281-97	29 SEP 97	JGH
						REV PER EC 0410-410-97	05 FEB 98	JGH
						ADDED -2 PER EC 0640-35-99	18 FEB 99	DM



- ⚠ RECEPTACLE CONTACTS: COPPER ALLOY.  
RECEPTACLE SHIELD: COPPER ALLOY.  
HOUSING: THERMOPLASTIC, BLACK, 94V-0 RATED.
- ⚠ PLATING:  
RECEPTACLE CONTACTS - GOLD FLASH PLATED ON MATING END, TIN-LEAD PLATED .0030 MIN [.000120 MIN] THICK ON SOLDER TAIL ALL OVER .0013 MIN [.000050 MIN] THICK NICKEL.
- ⚠ PLATING:  
SHIELD: 1.50-4.00µm [.000059-.000158] THICK BRIGHT TIN.
- 4. RECEPTACLE ASSEMBLY MATES WITH 6 PIN 9.00±.10 [.354±.004] DIAMETER PLUG.
- ⚠ DATUMS AND BASIC DIMENSION SUPPLIED BY CUSTOMER.



TRAY	749265-2
TUBE	749265-1
PACKAGING	PART NUMBER

DO NOT SCALE PRINT. UNLESS SPECIFIED DIMENSIONS IN mm [INCHES] TOLERANCES - ON : 2 PLC DEC ± - 3 PLC DEC ± 0.381 [.015] ANGLES ± 0°30'	DR 1-24-89 P.C05M05 CHK 1-24-89 C.OHL APPD 1-24-89 B.H.MOSSER APPD 1-24-89 E.C.MYERS	AMP INCORPORATED Harrisburg, Pa. 17105
MATERIAL	PRODUCT SPEC 108-1225	
FINISH	APPLICATION SPEC -	NAME RECEPTACLE ASSY, 6 POS, RIGHT ANGLE, MINIATURE CIRCULAR DIN
WEIGHT -	SCALE 5:1	SIZE D FSCM NO 00779 DRAWING NO 749265 SHEET 1 OF 1