

MATERIALS AND FINISHES

SMA JACK STR BKHD RM
 BODY: BRASS
 PLATED GOLD

CENTER CONTACT: PHOSPHOR BRONZE
 PLATED GOLD

INSULATOR: PTFE

JAM NUT: BRASS
 PLATED GOLD

PACKAGE :PE BAG

LOCK WASHER: SPCC
 PLATED GOLD
 PACKAGE :PE BAG

MCRF CONNECTOR

BODY: PHOSPHOR BRONZE
 PLATED GOLD

INSULATOR: PBT

CONTACT: PHOSPHOR BRONZE
 PLATED GOLD

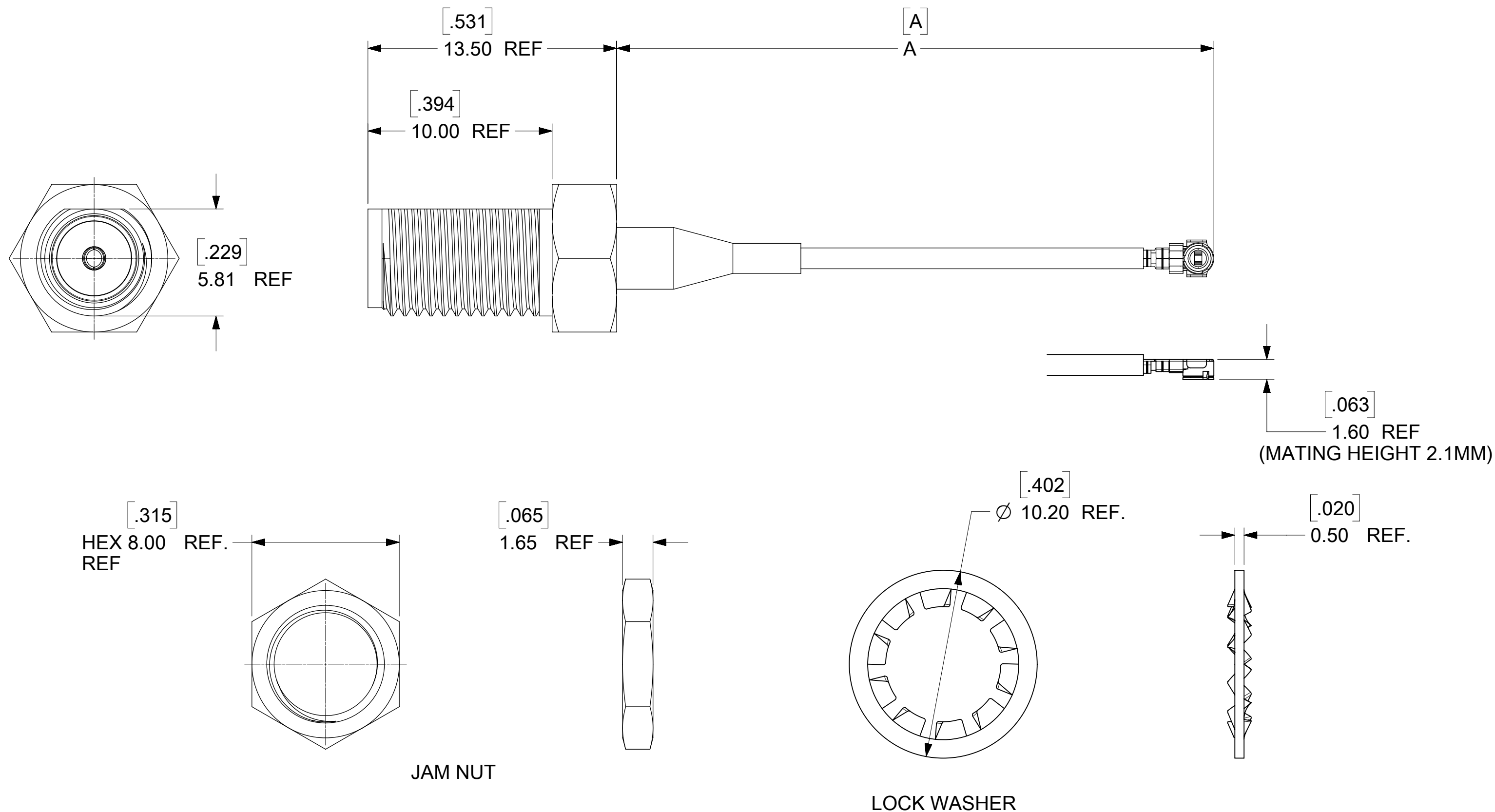
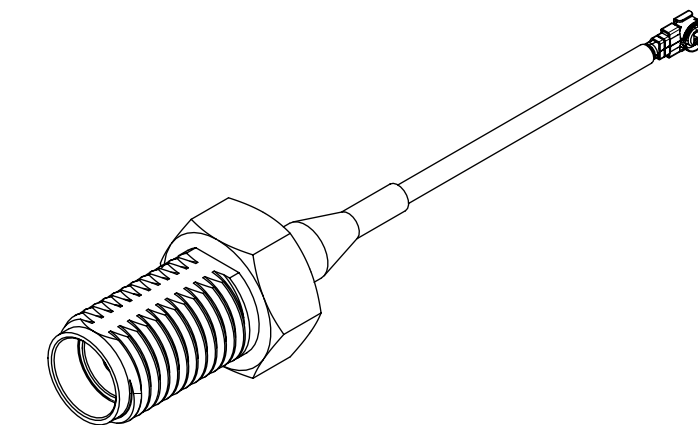
CABLE: DIA 1.13 COLOR GRAY
 OR EQUIVALENT

SHRINK TUBE: VERSAFIT V2
 OR EQUIVALENT

ELECTRICAL SPEC

OPERATION TEMPERATURE : -40°C TO 85°C

PACKAGING BY BAG, REFER TO 895420302



JAM NUT

LOCK WASHER

73230-1301	15.748±.197	400.00±5.00	BAG
73230-1300	14.370±.197	365.00±5.00	BAG
PART NO.	IN	MM	PACKAGING
	DIMENSION A		

OTHER AVAILABLE EXISTING LENGTH SEE 89762-952x SERIES.

MIL-STD-348A, FIG. 310.2	SMA INTERFACE
SPECIFICATION	DESCRIPTION

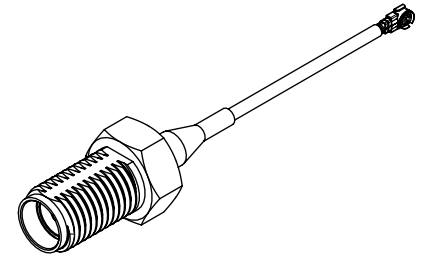
DOCUMENT STATUS	P1	RELEASE DATE	2023/05/15	02:43:40
-----------------	----	--------------	------------	----------

FUNCTIONAL SYMBOLS	THIS DRAWING CONTAINS INFORMATION THAT IS PROPRIETARY TO MOLEX ELECTRONIC TECHNOLOGIES, LLC AND SHOULD NOT BE USED WITHOUT WRITTEN PERMISSION				
	DIMENSION UNITS	SCALE	CURRENT REV DESC: EWR # 15699-A : ADDED -1301 PART NO		
$\frac{F}{A} = 0$	INCH/MM	NTS	EC NO: 749034 DRWN: JSU18 2023/02/21 CHK'D: YCHENG 2023/05/15 APPR: YCHENG 2023/05/15 INITIAL REVISION: DRWN: ELIN 2021/10/14 APPR: YCHENG 2021/11/15		
$\frac{E}{C} = 0$	GENERAL TOLERANCES (UNLESS SPECIFIED)				
$\frac{E}{P} = 0$	ANGULAR TOL	± °			
DIVISIONAL SYMBOLS	4 PLACES	±			
	3 PLACES	±	DOCUMENT NUMBER		
	2 PLACES	±	732301300		
	1 PLACE	±	DOC TYPE	DOC PART	REVISION
	0 PLACES	±	PSD	000	A1
DRAFT WHERE APPLICABLE MUST REMAIN WITHIN DIMENSIONS		THIRD ANGLE PROJECTION	DRAWING	SERIES	SHEET NUMBER
			C-SIZE	73230	1 OF 3
			MATERIAL NUMBER	CUSTOMER	
			SEE TABLE		

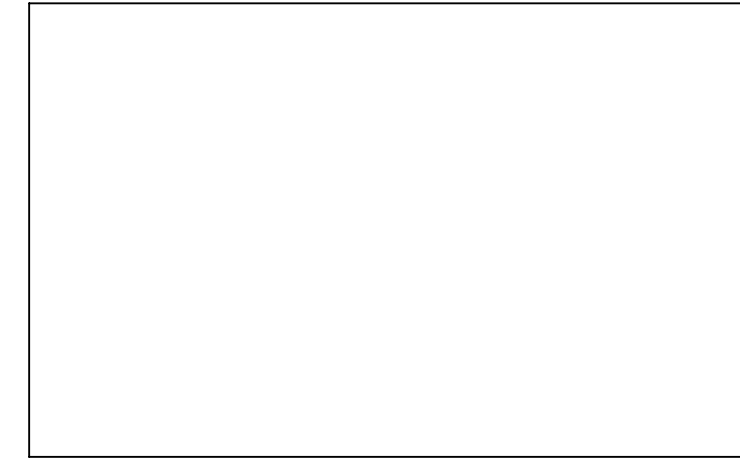
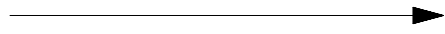
molex

CA SMA JACK STR TO MCRF W/DIA 1.13 CABLE
 CA-SMAJ/MCRF, EWR # 14805

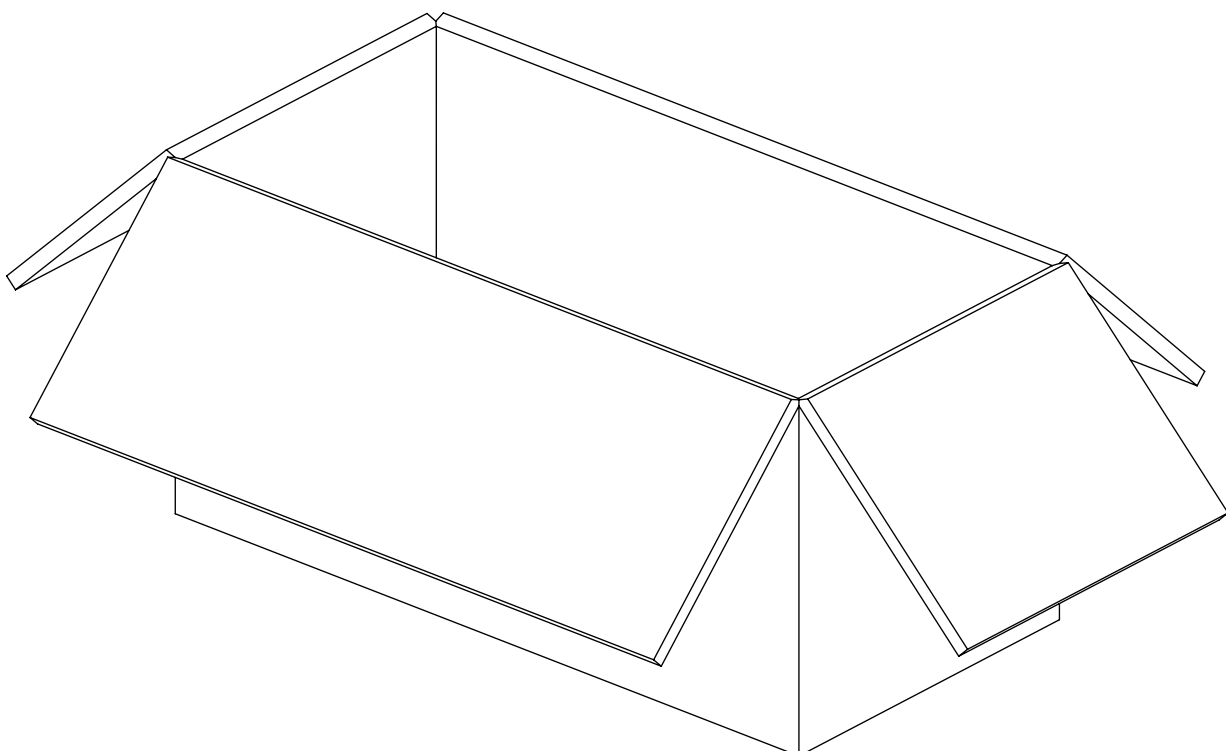
PRODUCT CUSTOMER DRAWING



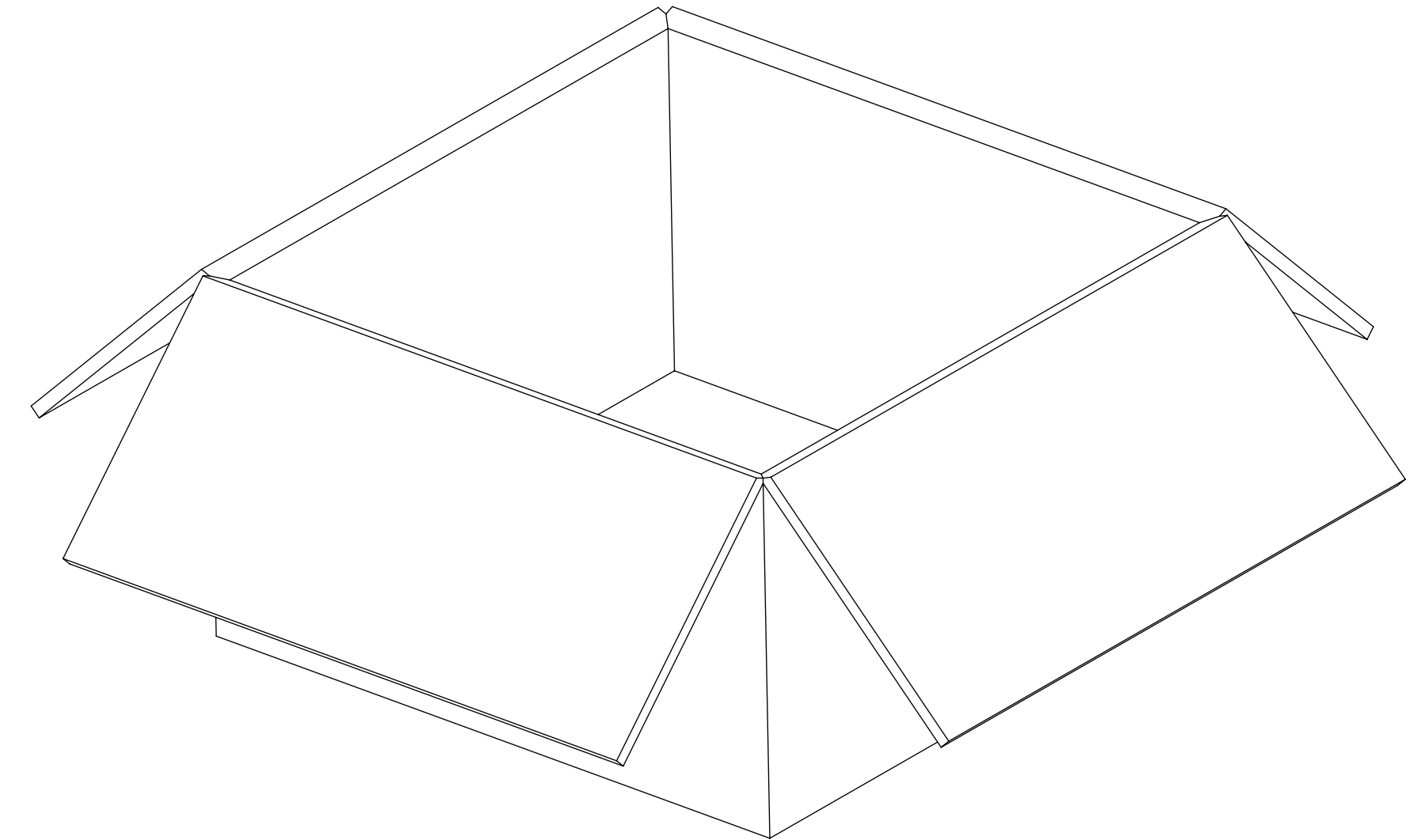
PART NO.: 73230-1300



25 SET PER POLYBAG
P/N: 89707-0174

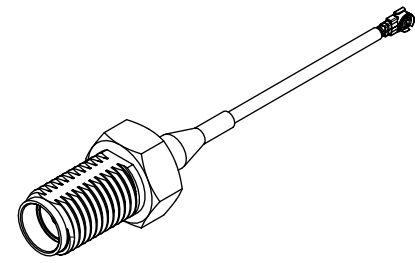


500 SET PER INNER CARTON BOX
P/N: 96707-0001

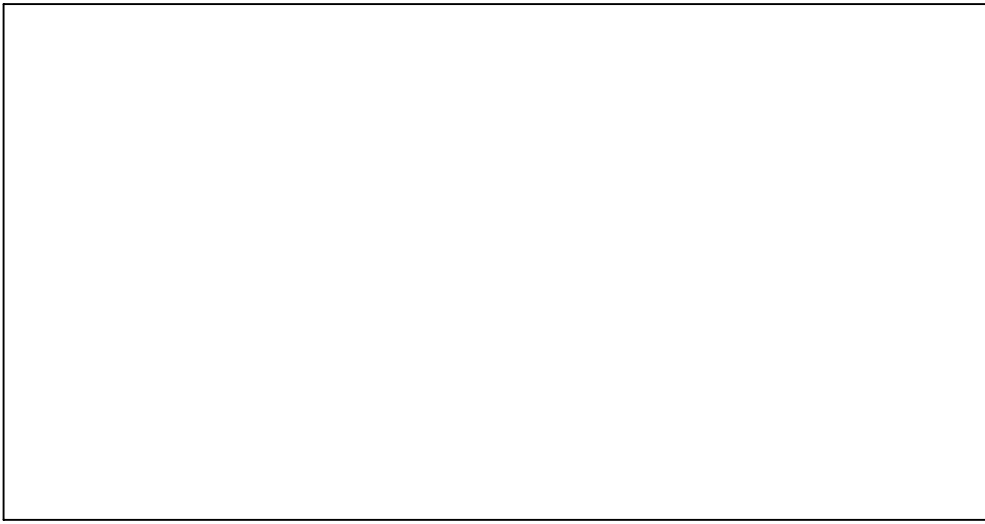


1000 SET PER OUTER CARTON BOX
P/N: 96708-0005

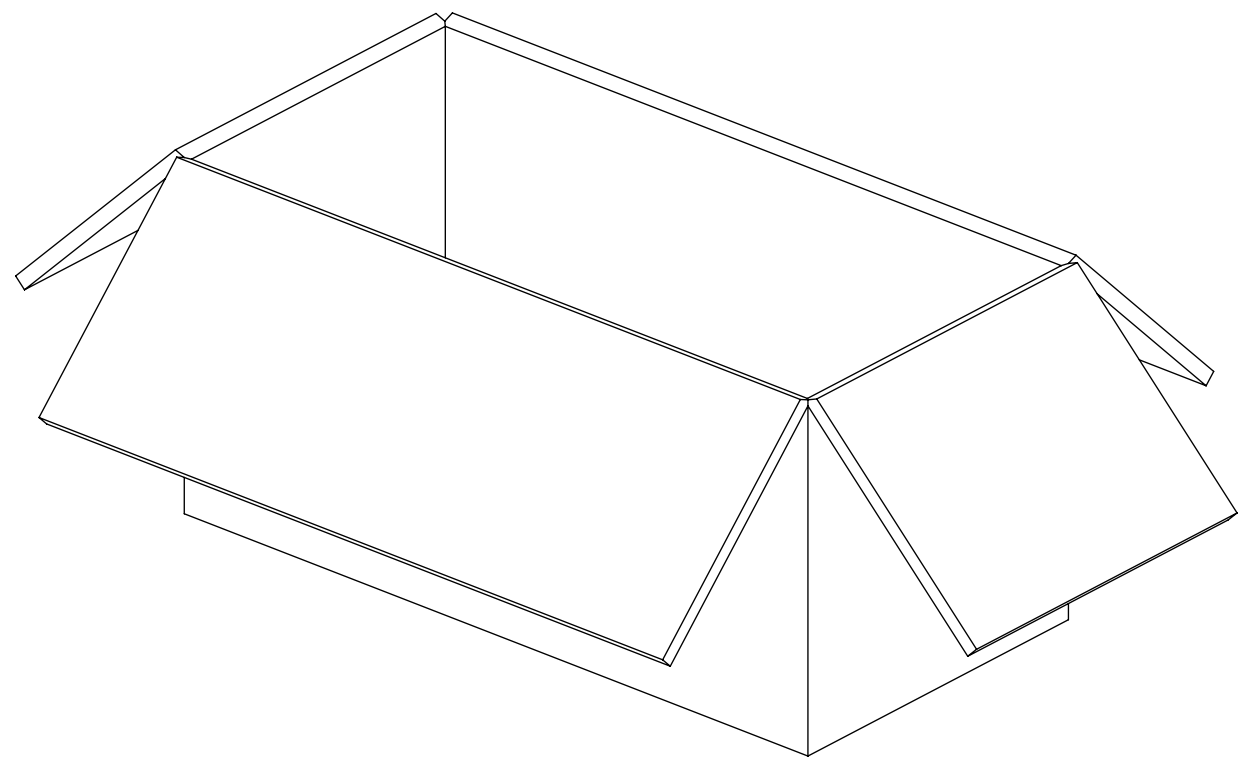
FUNCTIONAL SYMBOLS										THIS DRAWING CONTAINS INFORMATION THAT IS PROPRIETARY TO MOLEX ELECTRONIC TECHNOLOGIES, LLC AND SHOULD NOT BE USED WITHOUT WRITTEN PERMISSION											
DIMENSION UNITS		SCALE		CURRENT REV DESC: EWR # 15699-A : ADDED -1301 PART NO																	
INCH/MM		NTS		EC NO: 749034																	
GENERAL TOLERANCES (UNLESS SPECIFIED)										CA SMA JACK STR TO MCRF W/DIA 1.13 CABLE CA-SMAJ/MCRF, EWR # 14805											
ANGULAR TOL ± °										PRODUCT CUSTOMER DRAWING											
4 PLACES		±		EC NO: 749034						DOCUMENT NUMBER		DOC TYPE		DOC PART		REVISION					
3 PLACES		±		DRWN: JSU18 2023/02/21						732301300		PSD		000		A1					
2 PLACES		±		CHK'D: YCHENG 2023/05/15						MATERIAL NUMBER		CUSTOMER		SHEET NUMBER							
1 PLACE		±		APPR: YCHENG 2023/05/15																	
DIVISIONAL SYMBOLS										INITIAL REVISION:											
0 PLACES		±		DRWN: ELIN 2021/10/14						73230				2 OF 3							
0 PLACES		±		APPR: YCHENG 2021/11/15																	
DRAFT WHERE APPLICABLE MUST REMAIN WITHIN DIMENSIONS										THIRD ANGLE PROJECTION		DRAWING		SERIES		MATERIAL NUMBER		CUSTOMER		SHEET NUMBER	
												C-SIZE		73230							



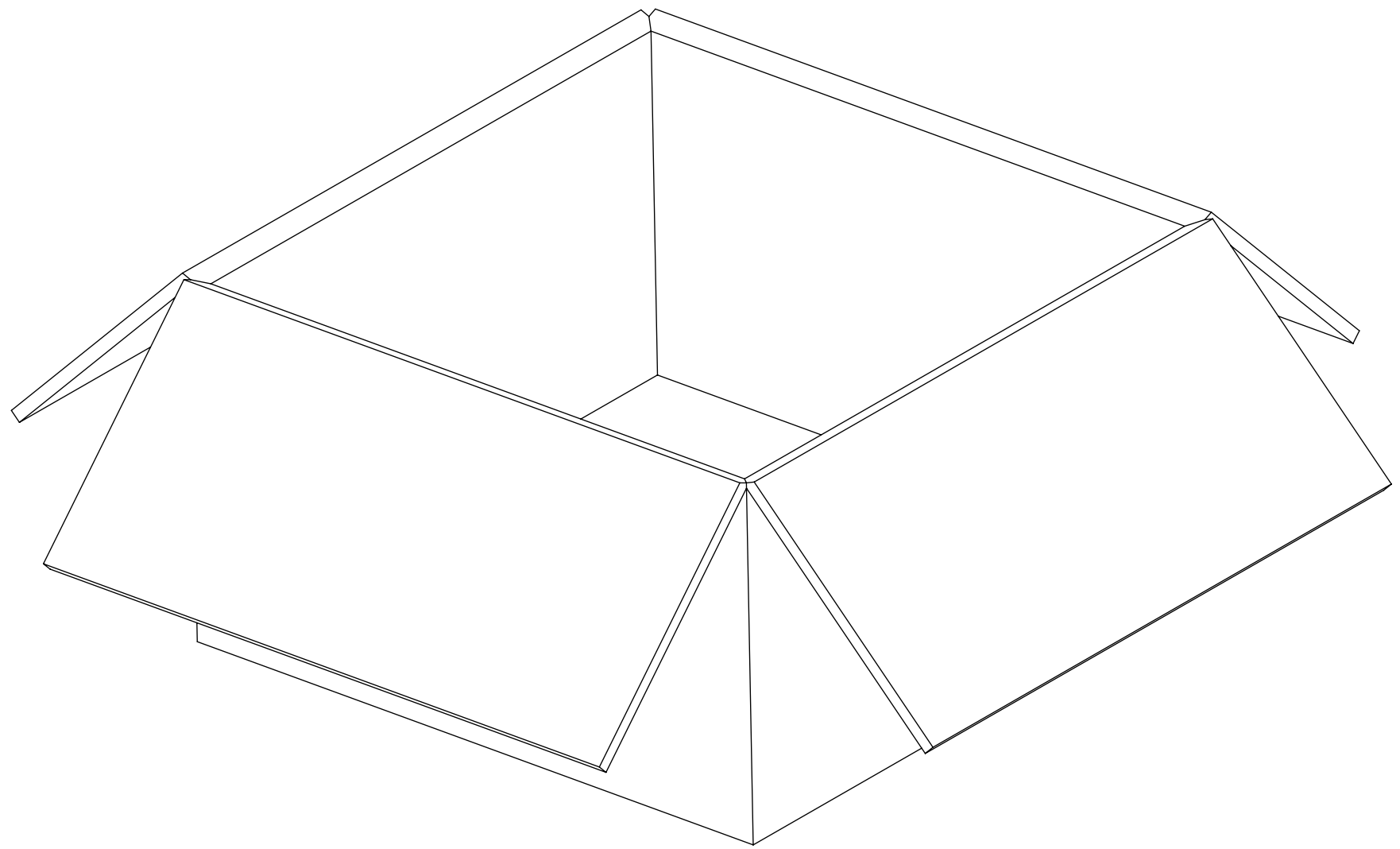
PART NO.: 73230-1301



25 SET PER POLYBAG
P/N: 89707-0176



500 SET PER INNER CARTON BOX
P/N: 96707-0001



1000 SET PER OUTER CARTON BOX
P/N: 96708-0005

THIS DRAWING CONTAINS INFORMATION THAT IS PROPRIETARY TO MOLEX ELECTRONIC TECHNOLOGIES, LLC AND SHOULD NOT BE USED WITHOUT WRITTEN PERMISSION									
FUNCTIONAL SYMBOLS	DIMENSION UNITS	SCALE	CURRENT REV DESC: EWR # 15699-A : ADDED -1301 PART NO						
	$\frac{F}{A} = 0$	INCH/MM	NTS	EC NO: 749034 DRWN: JSU18 2023/02/21 CHK'D: YCHENG 2023/05/15 APPR: YCHENG 2023/05/15 INITIAL REVISION: DRWN: ELIN 2021/10/14 APPR: YCHENG 2021/11/15					
GENERAL TOLERANCES (UNLESS SPECIFIED)									
$\frac{F}{C} = 0$	ANGULAR TOL	± °							
DIVISIONAL SYMBOLS	4 PLACES	±	CA SMA JACK STR TO MCRF W/DIA 1.13 CABLE CA-SMAJ/MCRF, EWR # 14805 PRODUCT CUSTOMER DRAWING DOCUMENT NUMBER: 732301300 DOC TYPE: PSD DOC PART: 000 REVISION: A1 MATERIAL NUMBER: 73230 CUSTOMER: 73230 SHEET NUMBER: 3 OF 3						
	3 PLACES	±							
	2 PLACES	±							
	1 PLACE	±							
0 PLACES	±								
DRAFT WHERE APPLICABLE MUST REMAIN WITHIN DIMENSIONS		THIRD ANGLE PROJECTION	DRAWING	SERIES					
			C-SIZE	73230					

molex

CA SMA JACK STR TO MCRF W/DIA 1.13 CABLE
CA-SMAJ/MCRF, EWR # 14805

PRODUCT CUSTOMER DRAWING

732301300 PSD 000 A1

MATERIALS AND FINISHES

SMA JACK STR BKHD RM
 BODY: BRASS
 PLATED GOLD

CENTER CONTACT: PHOSPHOR BRONZE
 PLATED GOLD

INSULATOR: PTFE

JAM NUT: BRASS
 PLATED GOLD
 PACKAGE :PE BAG 15*18*0.08

LOCK WASHER: SPCC
 PLATED GOLD
 PACKAGE :PE BAG 15*18*0.08

MCRF CONNECTOR

BODY: PHOSPHOR BRONZE
 PLATED GOLD

INSULATOR: PBT

CONTACT: PHOSPHOR BRONZE
 PLATED GOLD

CABLE: DIA 1.13 COLOR GRAY
 OR EQUIVALENT

SHRINK TUBE: VERSAFIT V2
 OR EQUIVALENT

ELECTRICAL SPEC

FREQUENCY : UP TO 6 GHz

VSWR :

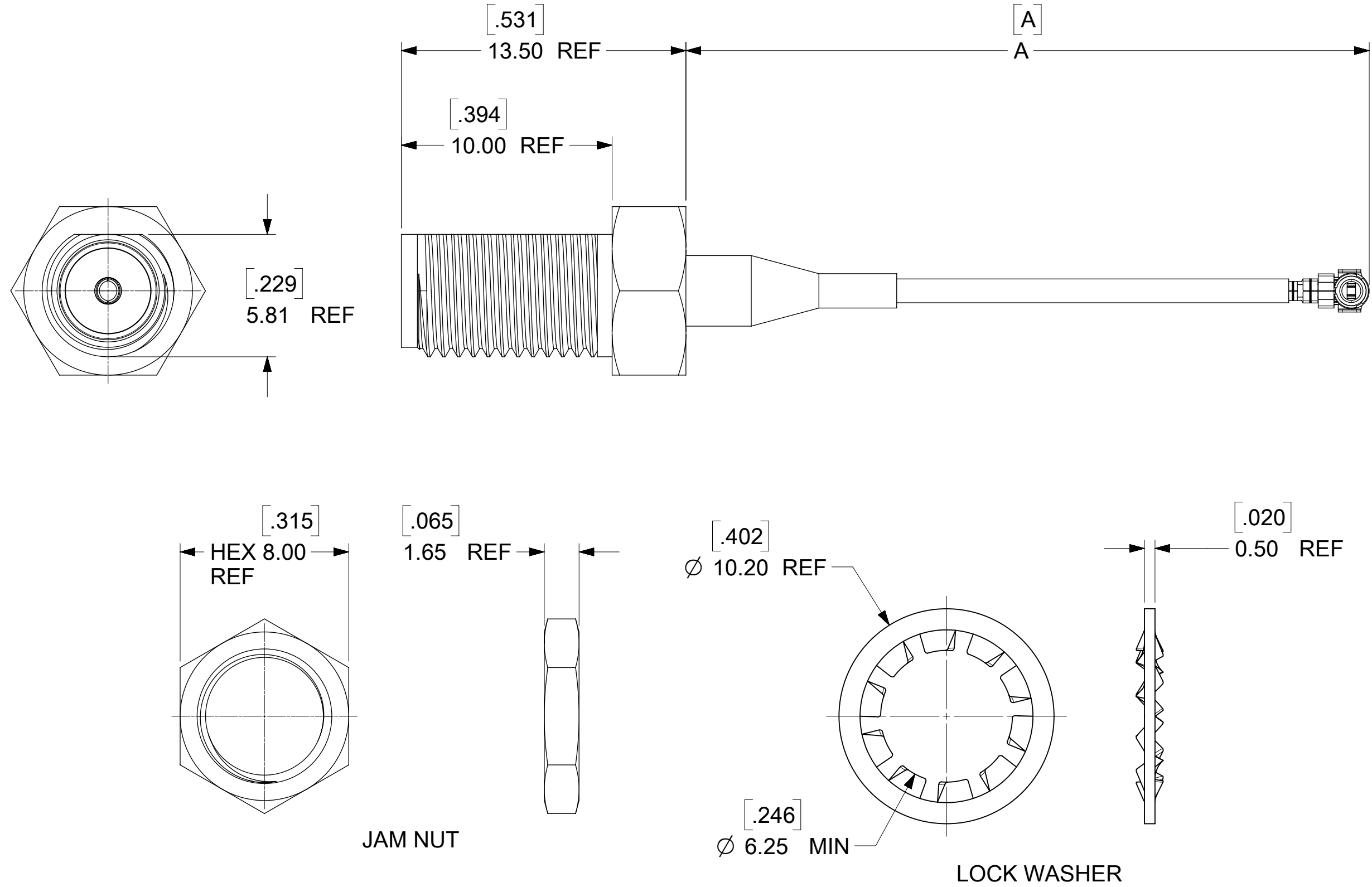
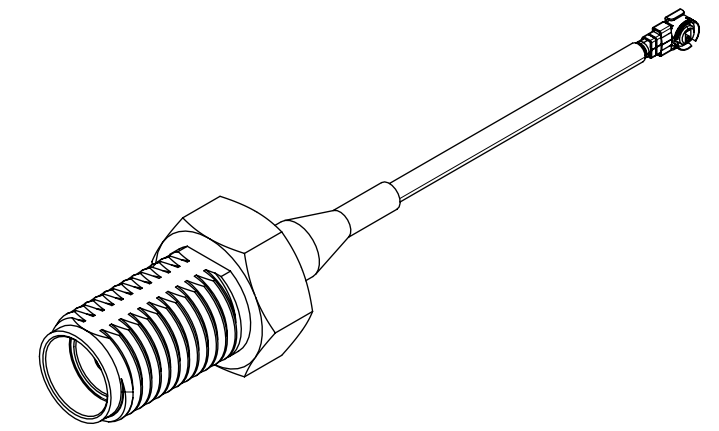
1.5 @ 0-3 GHz

1.8 @ 3-6 GHz

IL : SEE TABLE

OPERATION TEMPERATURE : -40°C~85°C

89762-9528/-9529 PACKAGING BY BAG, REFER TO 895420302

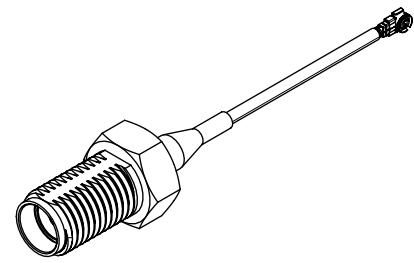


89762-9529	12.205±.197	310.00±5.00	BAG	3.00 dB
89762-9528	8.268±.197	210.00±5.00	BAG	2.00 dB
89762-9527	7.087±.197	180.00±5.00	BAG	1.80 dB
89762-9526	6.693±.197	170.00±5.00	BAG	1.70 dB
89762-9525	3.000±.197	76.20±5.00	BAG	1.00 dB
89762-9524	5.906±.197	150.00±5.00	BAG	1.50 dB
89762-9523	11.850±.197	300.00±5.00	BAG	3.00 dB
89762-9522	3.937±.197	100.00±5.00	BAG	1.00 dB
89762-9521	7.874±.197	200.00±5.00	BAG	2.00 dB
PART NO.	IN	MM	PACKAGING	IL @ 6GHz (MAX)
	DIMENSION A			

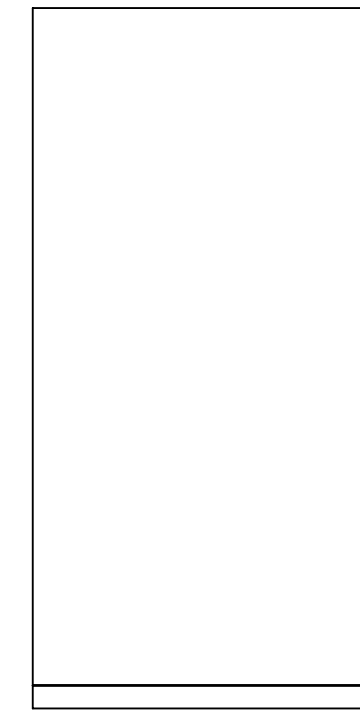
MIL-STD-348A, FIG. 310.2	SMA INTERFACE
SPECIFICATION	DESCRIPTION

FUNCTIONAL SYMBOLS	THIS DRAWING CONTAINS INFORMATION THAT IS PROPRIETARY TO MOLEX ELECTRONIC TECHNOLOGIES, LLC AND SHOULD NOT BE USED WITHOUT WRITTEN PERMISSION	
$\frac{A}{A} = 0$ $\frac{E}{E} = 0$ $\frac{P}{P} = 0$	DIMENSION UNITS: MM/INCH SCALE: NTS	CURRENT REV DESC: EWR-15424-A ADDED PACKAGE DRAWING
DIVISIONAL SYMBOLS	GENERAL TOLERANCES (UNLESS SPECIFIED) ANGULAR TOL ± °	EC NO: 720581 DRWN: JSU18 2022/09/08 CHK'D: YCHENG 2022/09/13 APPR: YCHENG 2022/09/13
	4 PLACES ± 3 PLACES ± 2 PLACES ± 1 PLACE ± 0 PLACES ±	INITIAL REVISION: DRWN: RYEH 2016/11/07 APPR: YCHENG 2016/11/25
	DRAFT WHERE APPLICABLE MUST REMAIN WITHIN DIMENSIONS	THIRD ANGLE PROJECTION DRAWING SERIES: C-SIZE 89762
	DOCUMENT NUMBER: 897629520 MATERIAL NUMBER: SEE TABLE	DOC TYPE: PSD DOC PART: 000 REVISION: A5 CUSTOMER: SEE TABLE SHEET NUMBER: 1 OF 8

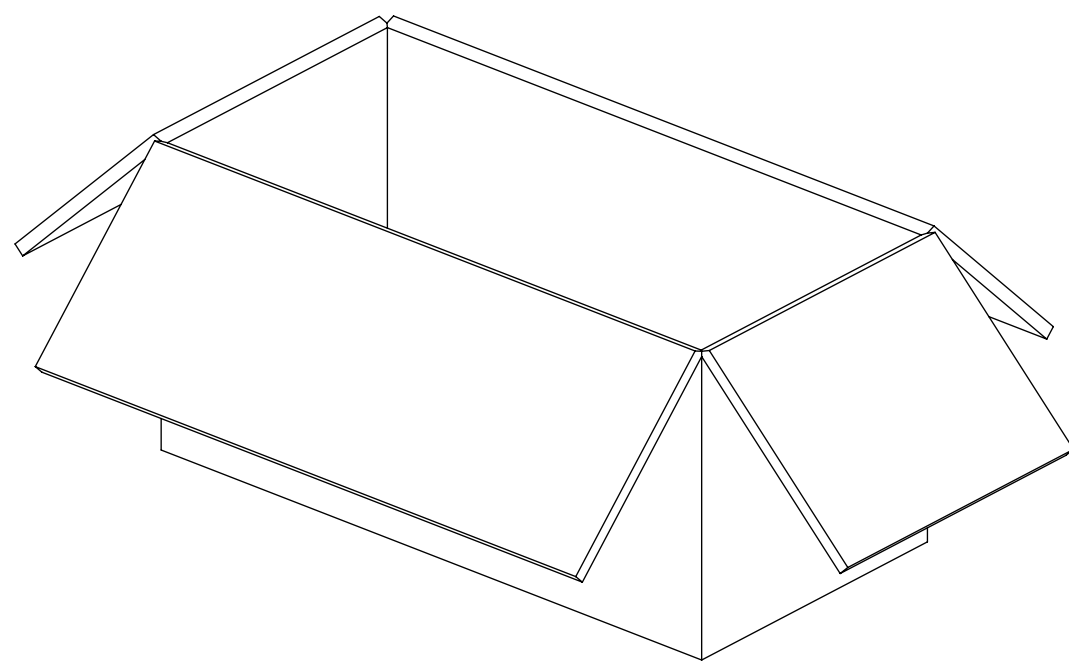
DOCUMENT STATUS	P1	RELEASE DATE	2022/09/13	10:27:59
-----------------	----	--------------	------------	----------



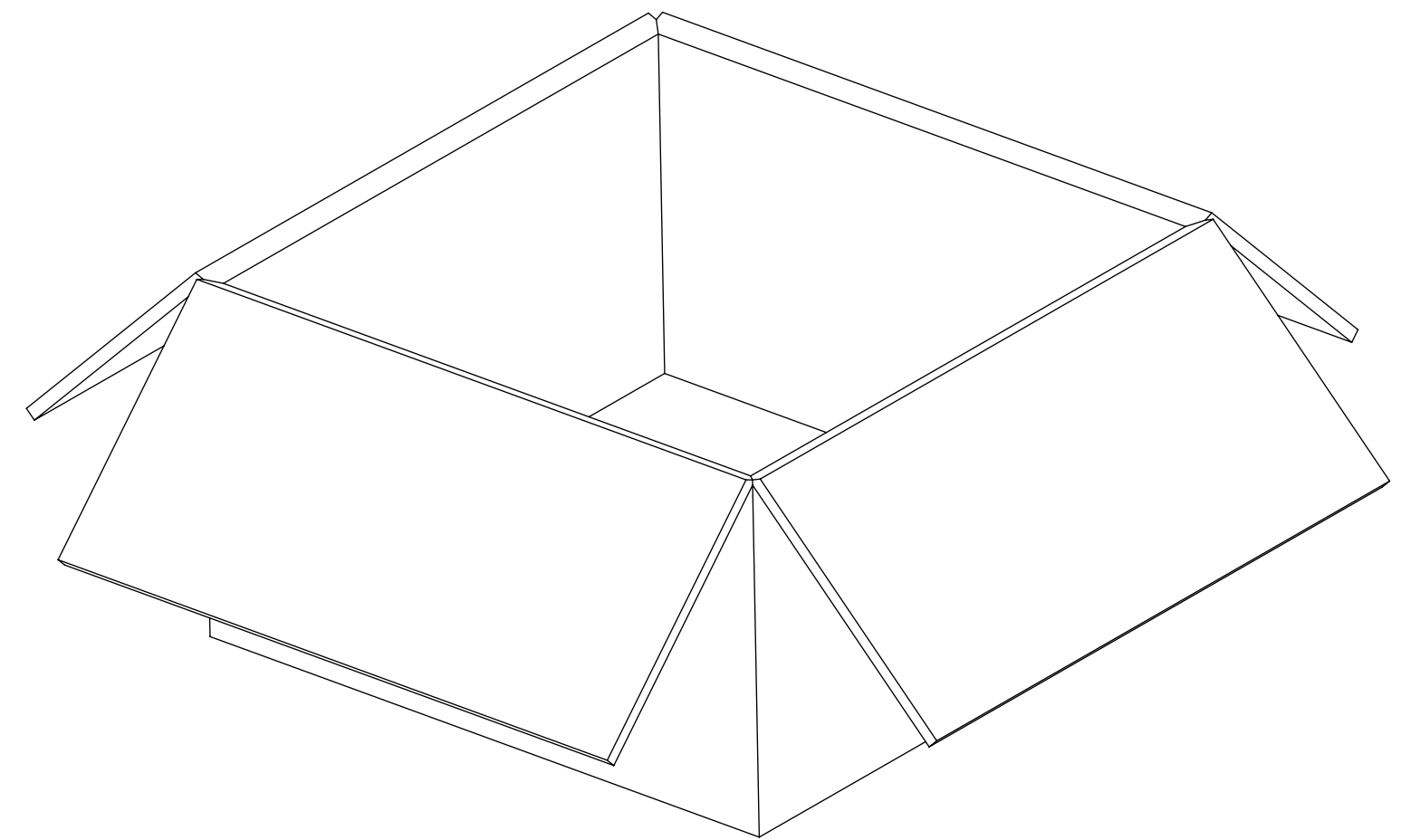
PART NO : 89762-9521
 PART NO : 89762-9526



25 SETS PER BAG
 P/N: 89707-0174



125 SET PER INNER CARTON BOX
 P/N: 96707-0001
 L371mm X W184mm X D192mm



250 SET PER OUTER CARTON BOX
 P/N: 96708-0005
 L394mm X W391mm X D212mm

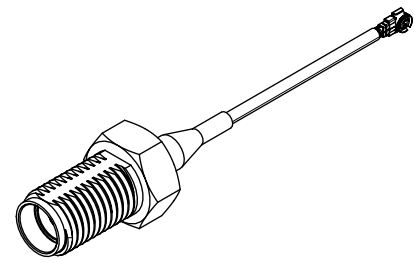
THIS DRAWING CONTAINS INFORMATION THAT IS PROPRIETARY TO MOLEX ELECTRONIC TECHNOLOGIES, LLC AND SHOULD NOT BE USED WITHOUT WRITTEN PERMISSION									
FUNCTIONAL SYMBOLS	DIMENSION UNITS	SCALE	CURRENT REV DESC:						
	$\frac{F}{A} = 0$	MM/INCH	NTS	EWR-15424-A ADDED PACKAGE DRAWING					
DIVISIONAL SYMBOLS	GENERAL TOLERANCES (UNLESS SPECIFIED)								
	$\frac{E}{C} = 0$	ANGULAR TOL ± °							
DIVISIONAL SYMBOLS	$\frac{E}{P} = 0$	4 PLACES ±		EC NO: 720581					
		3 PLACES ±		DRWN: JSU18		2022/09/08			
		2 PLACES ±		CHK'D: YCHENG		2022/09/13			
		1 PLACE ±		APPR: YCHENG		2022/09/13			
	0 PLACES ±		INITIAL REVISION:						
	DRAFT WHERE APPLICABLE MUST REMAIN WITHIN DIMENSIONS		THIRD ANGLE PROJECTION		DRAWING		SERIES		
			C-SIZE		89762			MATERIAL NUMBER	
							CUSTOMER		SHEET NUMBER
							897629520		2 OF 8

molex

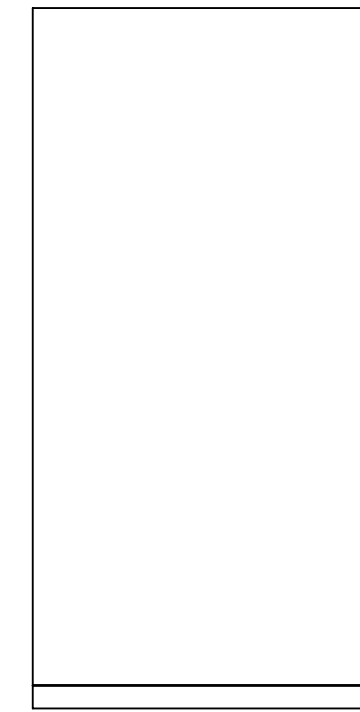
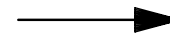
CA SMA JACK STR TO MCRF W/DIA 1.13 CABLE
 CA-SMAJ/MCRF, EWR # 14155

PRODUCT CUSTOMER DRAWING

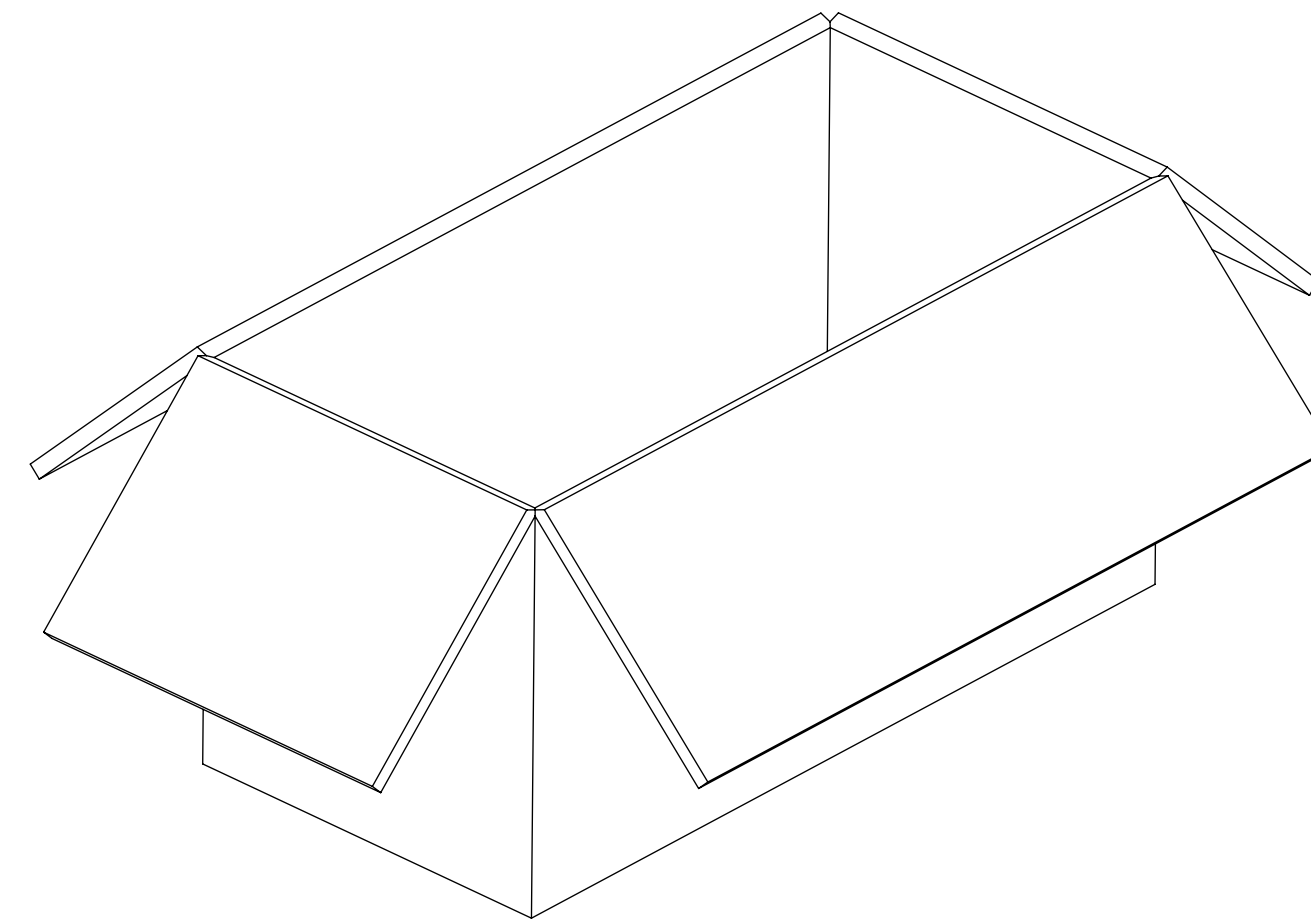
DOCUMENT NUMBER	DOC TYPE	DOC PART	REVISION
897629520	PSD	000	A5




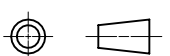
PART NO : 89762-9522



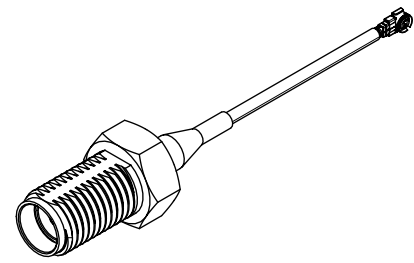
25 SETS PER BAG
P/N: 89707-0174



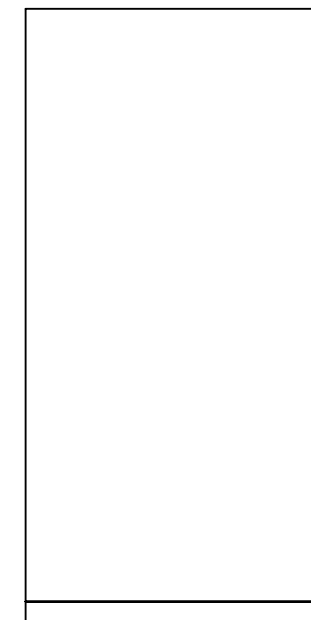
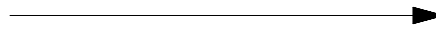
125 SETS PER CARTON BOX
P/N: 96707-0002
DIMENSION: 564X176X176MM

THIS DRAWING CONTAINS INFORMATION THAT IS PROPRIETARY TO MOLEX ELECTRONIC TECHNOLOGIES, LLC AND SHOULD NOT BE USED WITHOUT WRITTEN PERMISSION									
FUNCTIONAL SYMBOLS	DIMENSION UNITS	SCALE	CURRENT REV DESC:						
	MM/INCH	NTS	EWR-15424-A ADDED PACKAGE DRAWING						
DIVISIONAL SYMBOLS	GENERAL TOLERANCES (UNLESS SPECIFIED)		EC NO: 720581				CA SMA JACK STR TO MCRF W/DIA 1.13 CABLE CA-SMAJ/MCRF, EWR # 14155		
	ANGULAR TOL	± °	DRWN: JSU18 2022/09/08				PRODUCT CUSTOMER DRAWING		
	4 PLACES	±	CHK'D: YCHENG 2022/09/13				DOCUMENT NUMBER		
	3 PLACES	±	APPR: YCHENG 2022/09/13				897629520		
	2 PLACES	±	INITIAL REVISION:				DOC TYPE		
1 PLACE	±	DRWN: RYEH 2016/11/07				PSD			
0 PLACES	±	APPR: YCHENG 2016/11/25				DOC PART			
DRAFT WHERE APPLICABLE MUST REMAIN WITHIN DIMENSIONS		THIRD ANGLE PROJECTION		DRAWING	SERIES	MATERIAL NUMBER		CUSTOMER	SHEET NUMBER
				C-SIZE	89762				3 OF 8

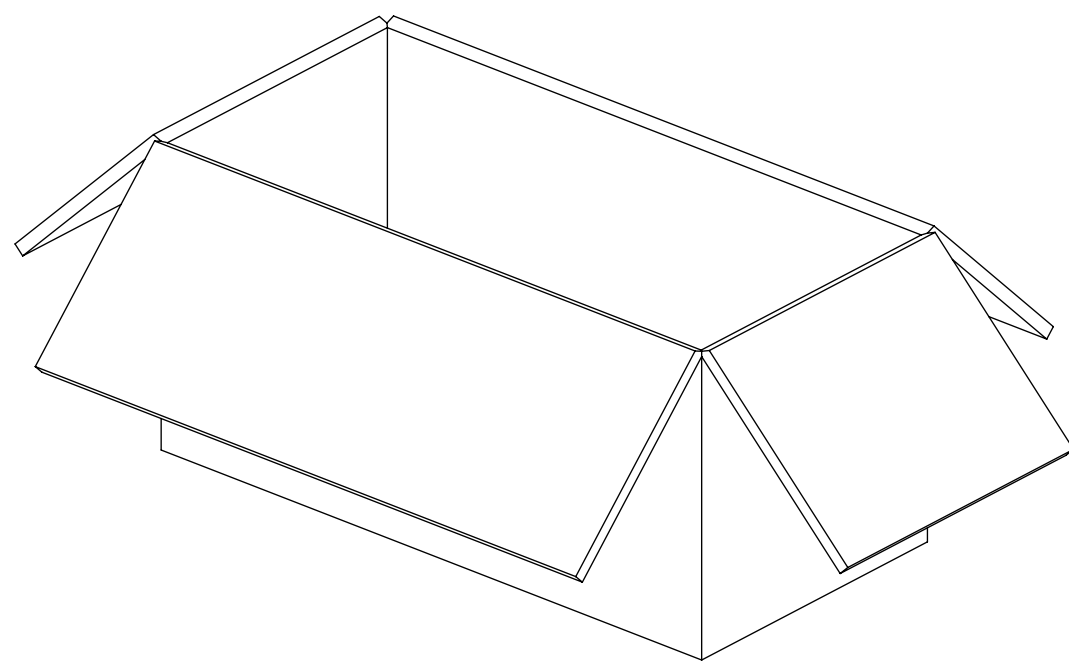
DOCUMENT STATUS	P1	RELEASE DATE	2022/09/13	10:27:59
-----------------	----	--------------	------------	----------



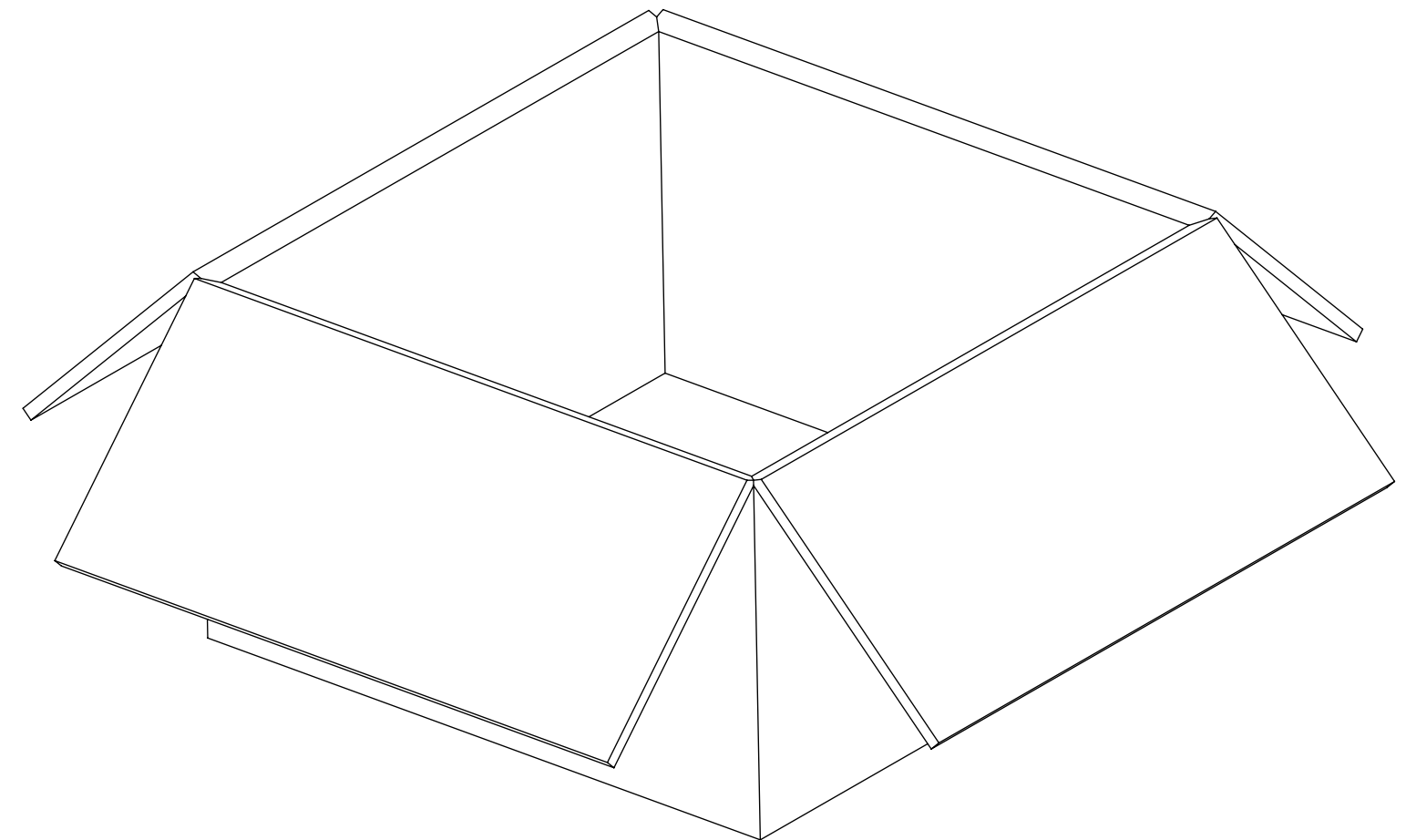
PART NO : 89762-9523



25 SETS PER BAG
P/N: 89707-0176

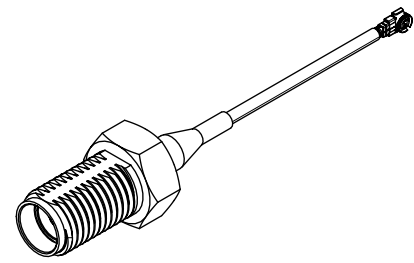


200 SET PER INNER CARTON BOX
P/N: 96707-0001
L371mm X W184mm X D192mm

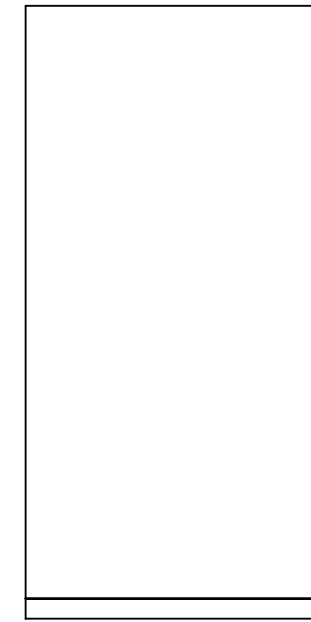
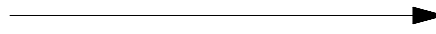


400 SET PER OUTER CARTON BOX
P/N: 96708-0005
L394mm X W391mm X D212mm

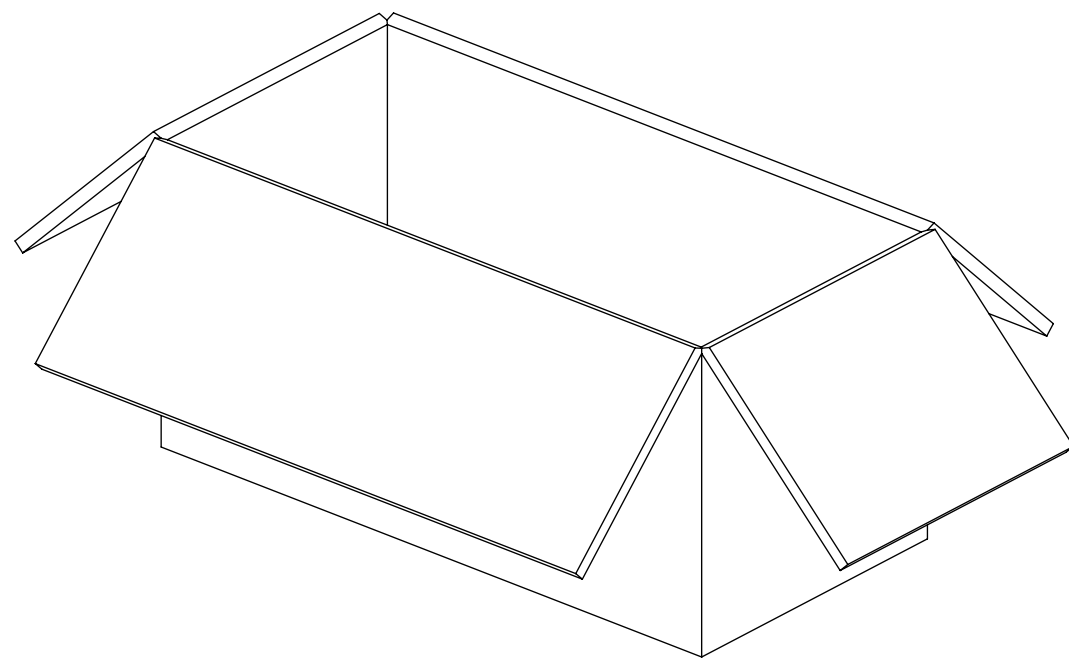
THIS DRAWING CONTAINS INFORMATION THAT IS PROPRIETARY TO MOLEX ELECTRONIC TECHNOLOGIES, LLC AND SHOULD NOT BE USED WITHOUT WRITTEN PERMISSION									
FUNCTIONAL SYMBOLS	DIMENSION UNITS	SCALE	CURRENT REV DESC:				molex		
$\frac{F}{A} = 0$	MM/INCH	NTS	EWR-15424-A ADDED PACKAGE DRAWING						
$\frac{E}{C} = 0$	GENERAL TOLERANCES (UNLESS SPECIFIED)		EC NO: 720581				CA SMA JACK STR TO MCRF W/DIA 1.13 CABLE CA-SMAJ/MCRF, EWR # 14155		
$\frac{E}{P} = 0$	ANGULAR TOL ± °		DRWN: JSU18 2022/09/08				PRODUCT CUSTOMER DRAWING		
DIVISIONAL SYMBOLS	4 PLACES ±		CHK'D: YCHENG 2022/09/13				DOCUMENT NUMBER		
	3 PLACES ±		APPR: YCHENG 2022/09/13				DOC TYPE		
	2 PLACES ±		INITIAL REVISION:				DOC PART		
	1 PLACE ±		DRWN: RYEH 2016/11/07				REVISION		
	0 PLACES ±		APPR: YCHENG 2016/11/25				897629520		
DRAFT WHERE APPLICABLE MUST REMAIN WITHIN DIMENSIONS		THIRD ANGLE PROJECTION	DRAWING	SERIES	MATERIAL NUMBER	CUSTOMER	SHEET NUMBER		
			C-SIZE	89762			PSD 000 A5		
							4 OF 8		



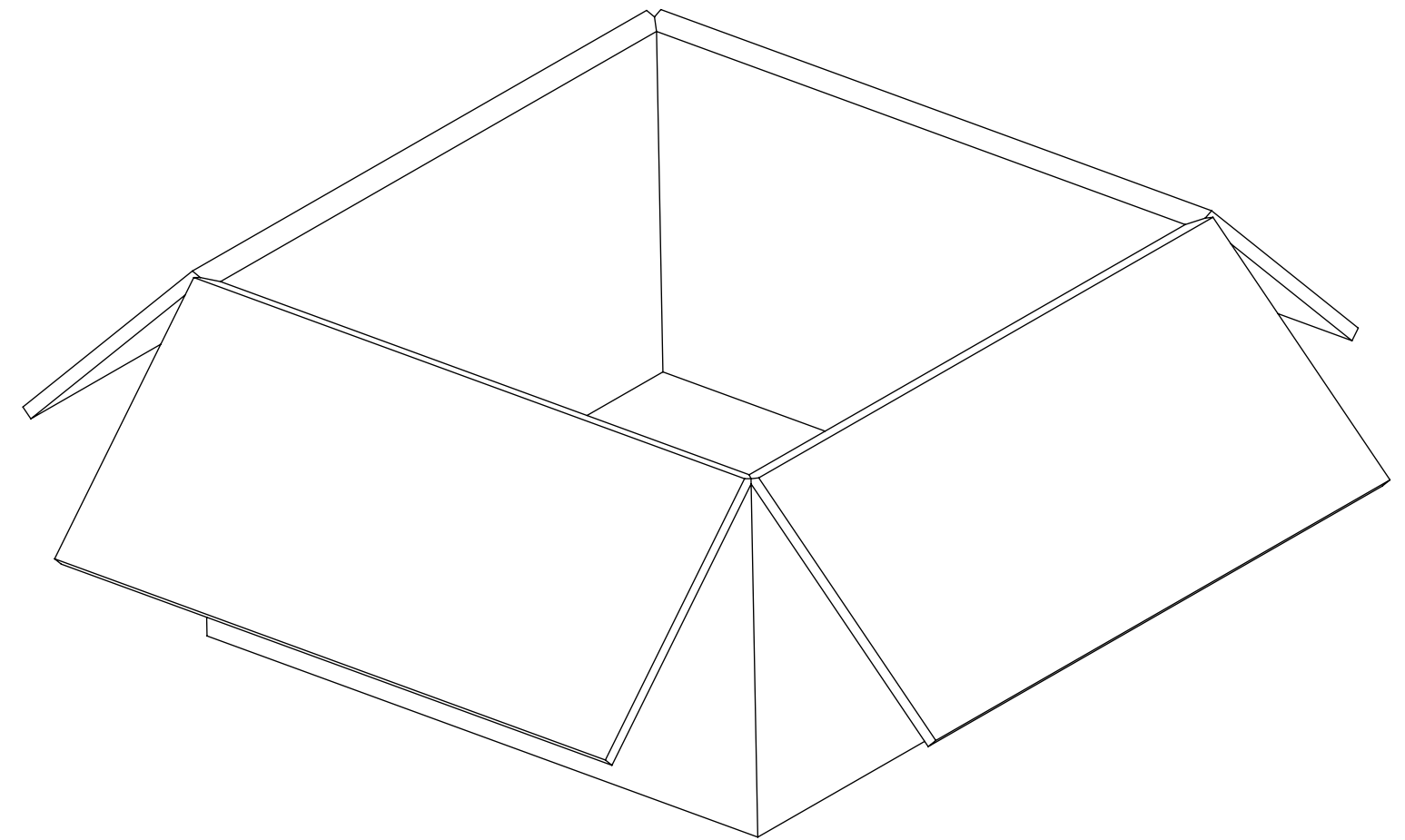
PART NO : 89762-9524



25 SETS PER BAG
P/N: 89707-0176



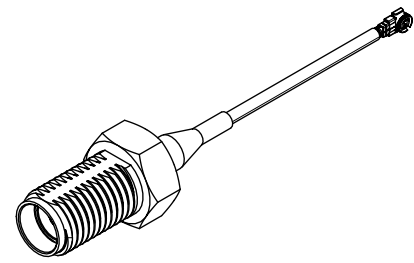
500 SET PER INNER CARTON BOX
P/N: 96707-0001
L371mm X W184mm X D192mm



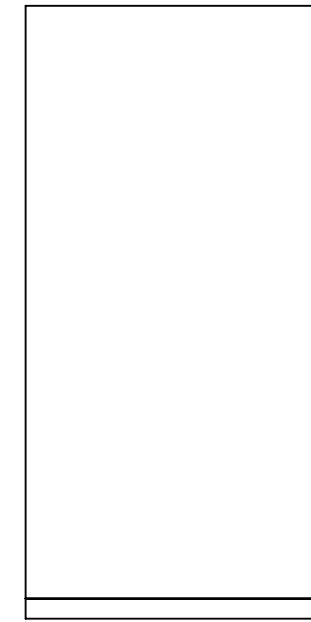
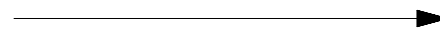
1000 SET PER OUTER CARTON BOX
P/N: 96708-0005
L394mm X W391mm X D212mm

FUNCTIONAL SYMBOLS	THIS DRAWING CONTAINS INFORMATION THAT IS PROPRIETARY TO MOLEX ELECTRONIC TECHNOLOGIES, LLC AND SHOULD NOT BE USED WITHOUT WRITTEN PERMISSION									
	DIMENSION UNITS	SCALE	CURRENT REV DESC:							molex
$\frac{F}{A} = 0$	MM/INCH	NTS	EWR-15424-A ADDED PACKAGE DRAWING							
GENERAL TOLERANCES (UNLESS SPECIFIED)	EC NO: 720581									
	DRWN: JSU18 2022/09/08									
ANGULAR TOL ± °	CHK'D: YCHENG 2022/09/13									
	APPR: YCHENG 2022/09/13									
DIVISIONAL SYMBOLS	INITIAL REVISION:									
	DRWN: RYEH 2016/11/07									
APPR: YCHENG 2016/11/25										
DRAFT WHERE APPLICABLE MUST REMAIN WITHIN DIMENSIONS		THIRD ANGLE PROJECTION	DRAWING	SERIES	MATERIAL NUMBER	CUSTOMER	DOCUMENT NUMBER	DOC TYPE	DOC PART	REVISION
			C-SIZE	89762	897629520		PSD	000	A5	5 OF 8

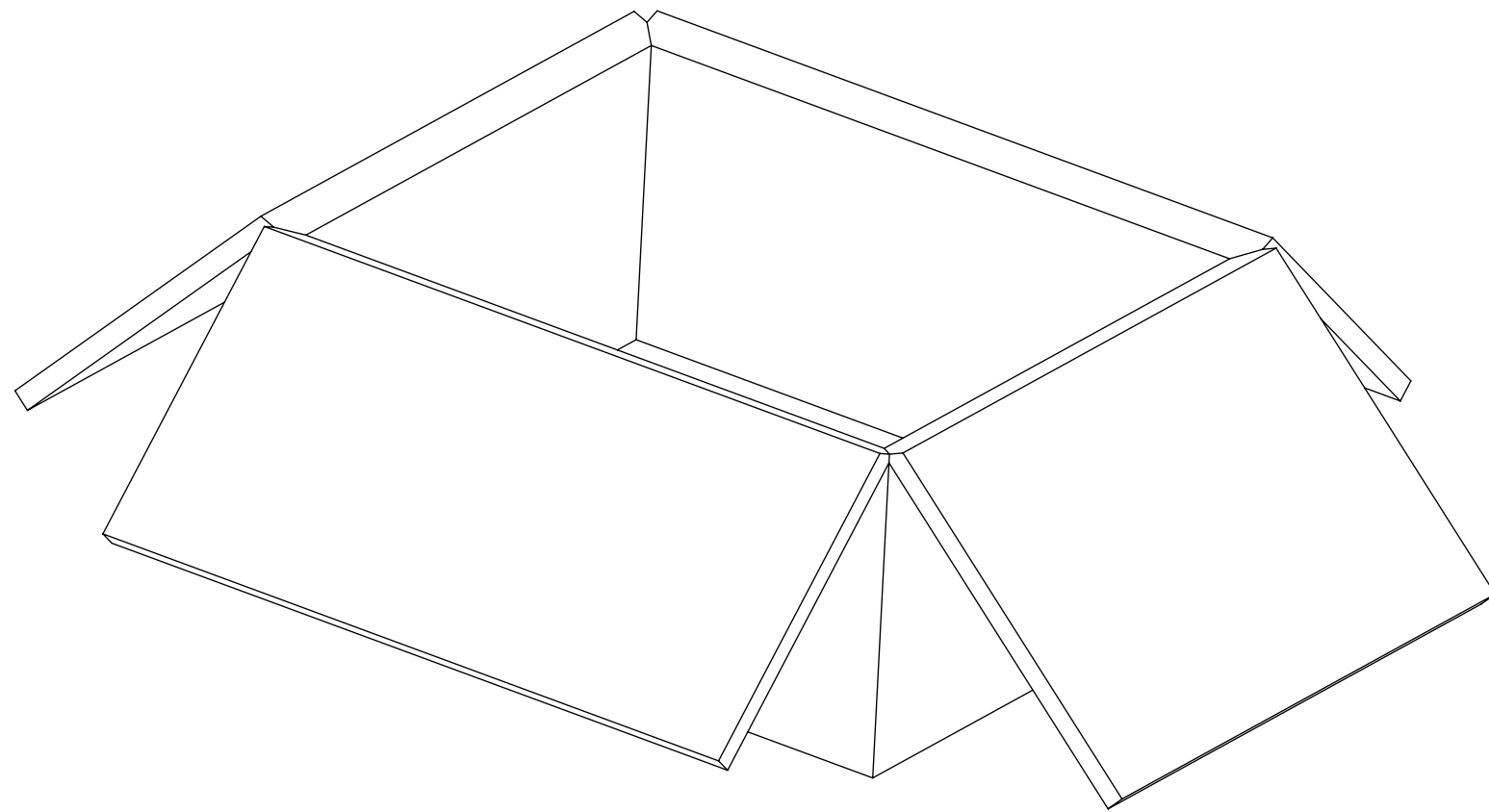
DOCUMENT STATUS	P1	RELEASE DATE	2022/09/13	10:27:59
-----------------	----	--------------	------------	----------



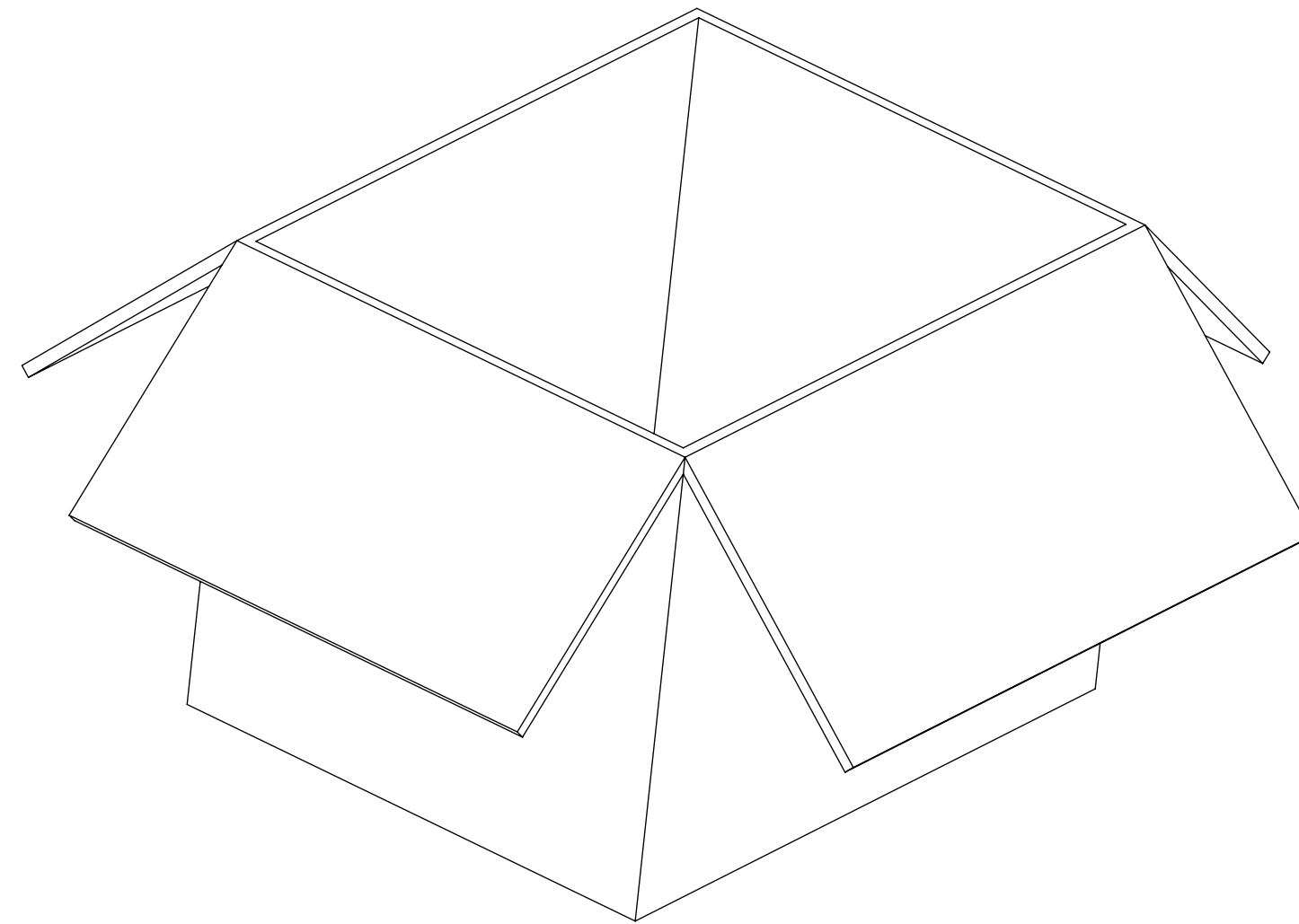
PART NO : 89762-9525



25 SETS PER BAG
P/N: 89707-0176



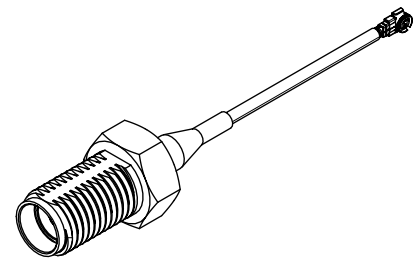
125 SET PER INNER CARTON BOX
P/N: 89499-9026
L250mm X W200mm X D109mm



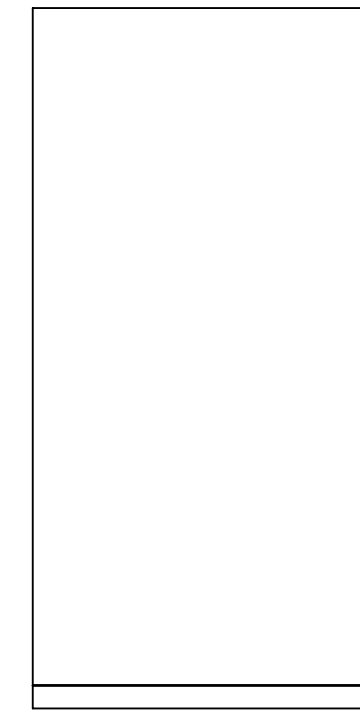
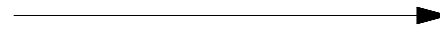
250 SET PER OUTER CARTON BOX
P/N: 89499-9027
L267mm X W215mm X D260mm

FUNCTIONAL SYMBOLS	THIS DRAWING CONTAINS INFORMATION THAT IS PROPRIETARY TO MOLEX ELECTRONIC TECHNOLOGIES, LLC AND SHOULD NOT BE USED WITHOUT WRITTEN PERMISSION											
	DIMENSION UNITS	SCALE	CURRENT REV DESC:									
$\frac{F}{A} = 0$	MM/INCH	NTS	EWR-15424-A ADDED PACKAGE DRAWING									CA SMA JACK STR TO MCRF W/DIA 1.13 CABLE CA-SMAJ/MCRF, EWR # 14155
$\frac{E}{C} = 0$	GENERAL TOLERANCES (UNLESS SPECIFIED)		EC NO: 720581							PRODUCT CUSTOMER DRAWING		
$\frac{E}{P} = 0$	ANGULAR TOL ± °		4 PLACES ±				2022/09/08					
DIVISIONAL SYMBOLS	3 PLACES ±		DRWN: JSU18				2022/09/13					
	2 PLACES ±		CHK'D: YCHENG				2022/09/13					
	1 PLACE ±		APPR: YCHENG				2022/09/13					
	0 PLACES ±		INITIAL REVISION:				2016/11/07					
DRAFT WHERE APPLICABLE MUST REMAIN WITHIN DIMENSIONS		THIRD ANGLE PROJECTION		DRAWING		SERIES		DOCUMENT NUMBER		DOC TYPE	DOC PART	REVISION
				C-SIZE		89762		897629520		PSD	000	A5
								MATERIAL NUMBER		CUSTOMER		SHEET NUMBER
												6 OF 8

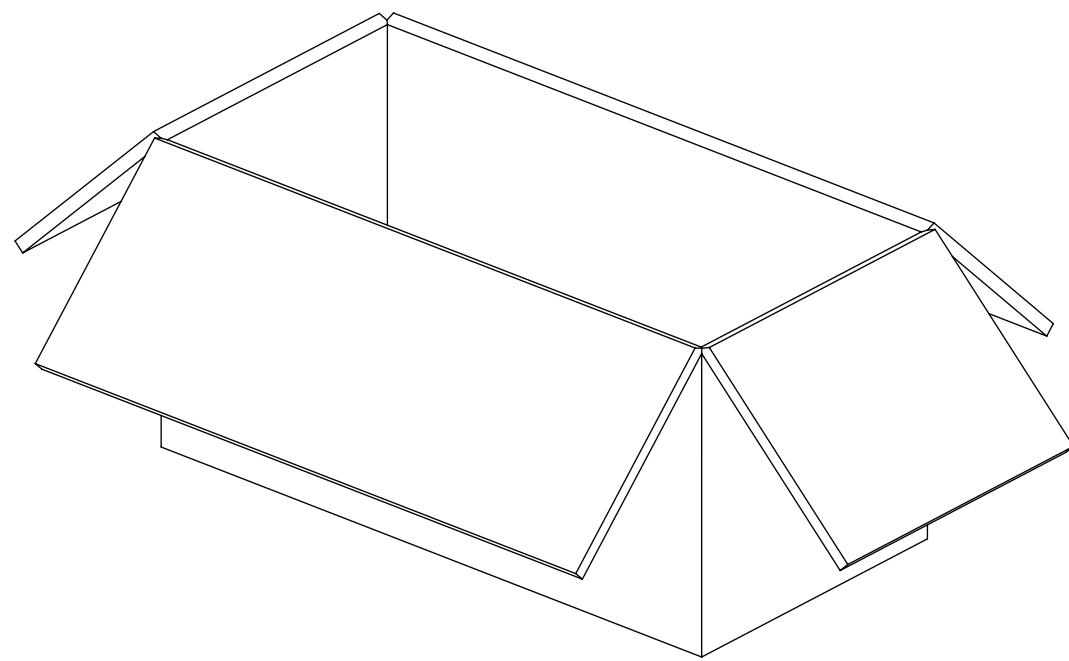
DOCUMENT STATUS	P1	RELEASE DATE	2022/09/13	10:27:59
-----------------	----	--------------	------------	----------



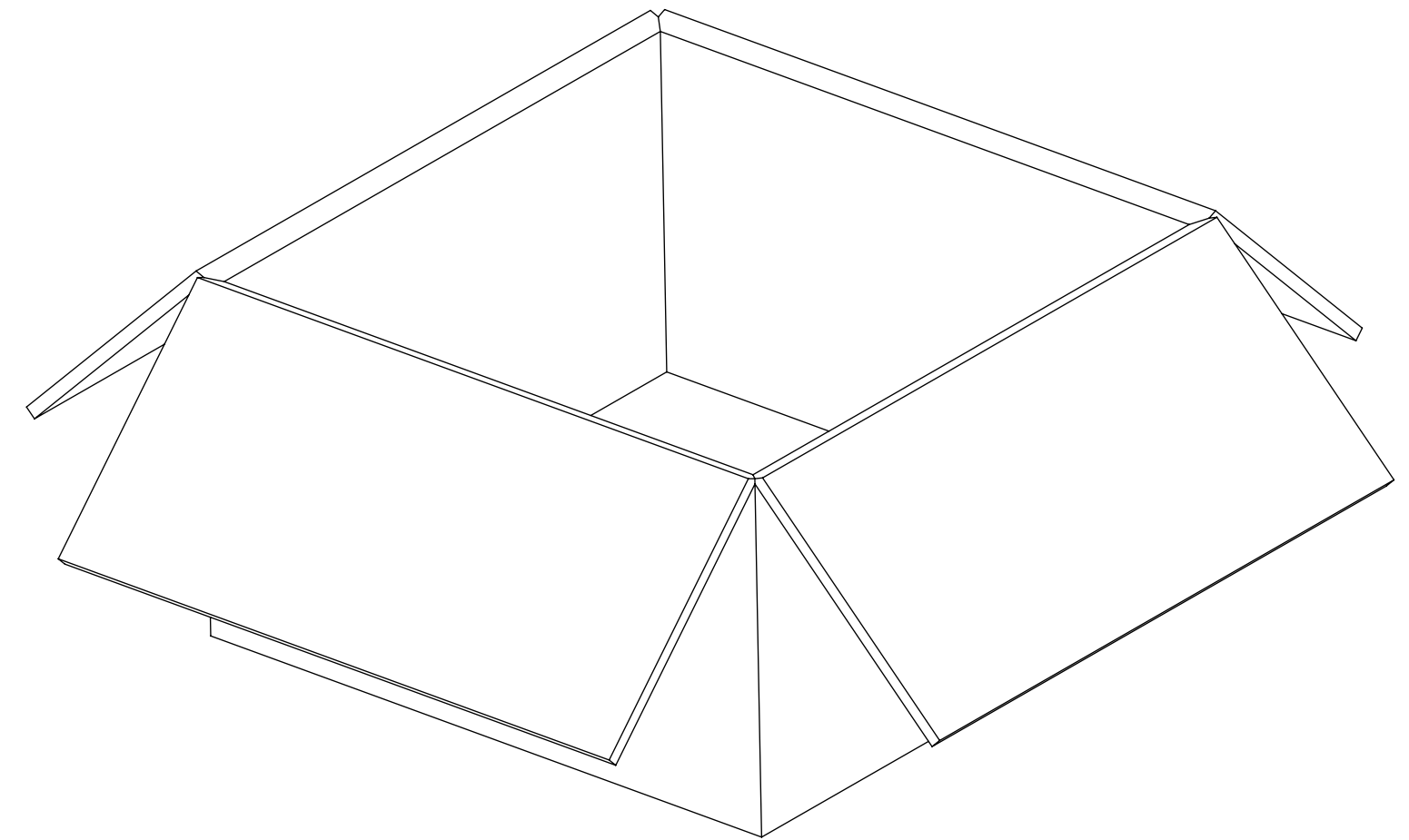
PART NO : 89762-9527



25 SETS PER BAG
P/N: 89707-0174



250 SET PER INNER CARTON BOX
P/N: 96707-0001
L371mm X W184mm X D192mm



500 SET PER OUTER CARTON BOX
P/N: 96708-0005
L394mm X W391mm X D212mm

THIS DRAWING CONTAINS INFORMATION THAT IS PROPRIETARY TO MOLEX ELECTRONIC TECHNOLOGIES, LLC AND SHOULD NOT BE USED WITHOUT WRITTEN PERMISSION									
FUNCTIONAL SYMBOLS	DIMENSION UNITS	SCALE	CURRENT REV DESC:						
	$\frac{F}{A} = 0$	MM/INCH	NTS	EWR-15424-A ADDED PACKAGE DRAWING					
DIVISIONAL SYMBOLS	GENERAL TOLERANCES (UNLESS SPECIFIED)								
	$\frac{E}{C} = 0$	ANGULAR TOL ± °							
DIVISIONAL SYMBOLS	4 PLACES		±	EC NO: 720581					
	3 PLACES		±	DRWN: JSU18		2022/09/08			
	2 PLACES		±	CHK'D: YCHENG		2022/09/13			
	1 PLACE		±	APPR: YCHENG		2022/09/13			
0 PLACES		±	INITIAL REVISION:						
DRAFT WHERE APPLICABLE MUST REMAIN WITHIN DIMENSIONS		THIRD ANGLE PROJECTION		DRAWING		SERIES		DOCUMENT NUMBER	
				C-SIZE		89762		897629520	
								DOC TYPE DOC PART REVISION	
								PSD 000 A5	
								MATERIAL NUMBER CUSTOMER SHEET NUMBER	
								89762 7 OF 8	

molex

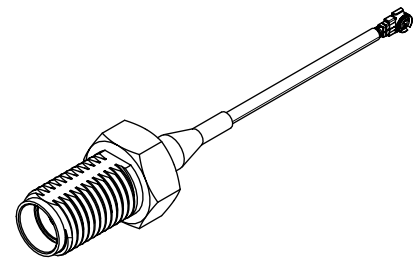
CA SMA JACK STR TO MCRF W/DIA 1.13 CABLE
CA-SMAJ/MCRF, EWR # 14155

PRODUCT CUSTOMER DRAWING

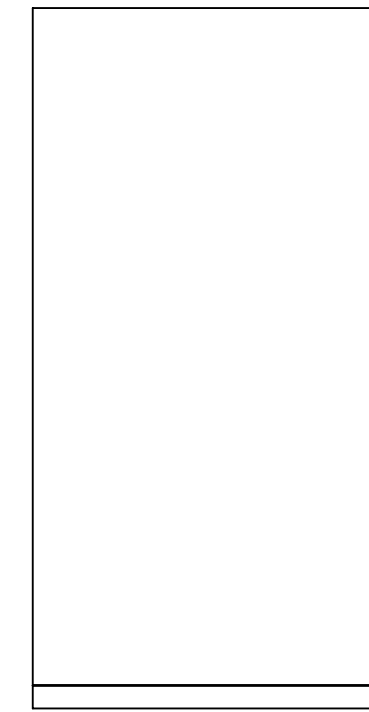
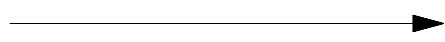
897629520

PSD 000 A5

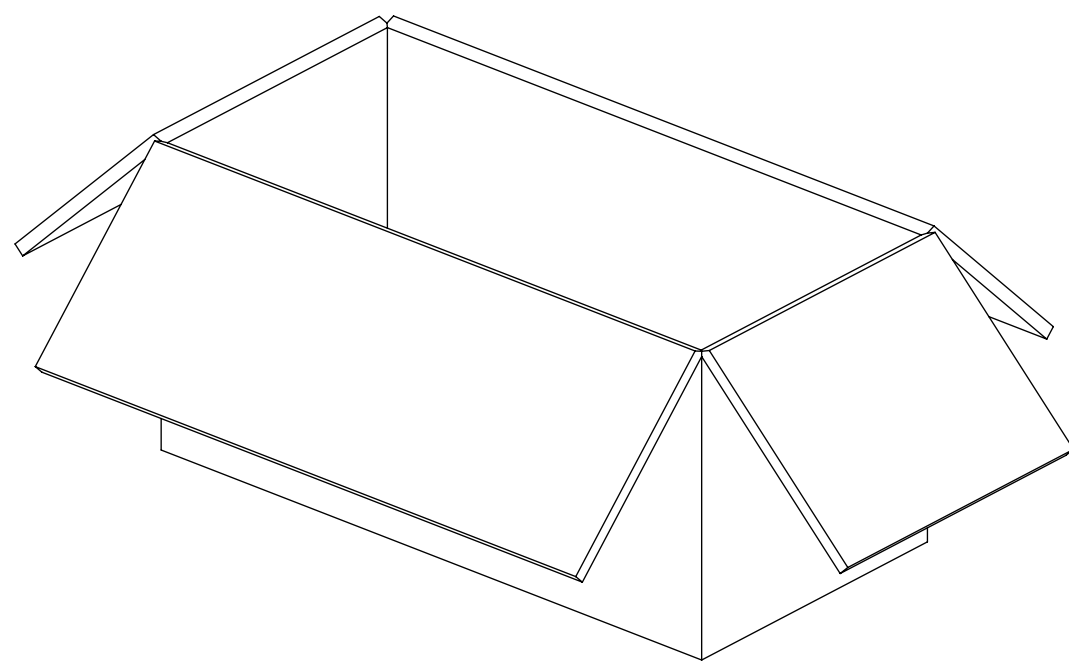
7 OF 8



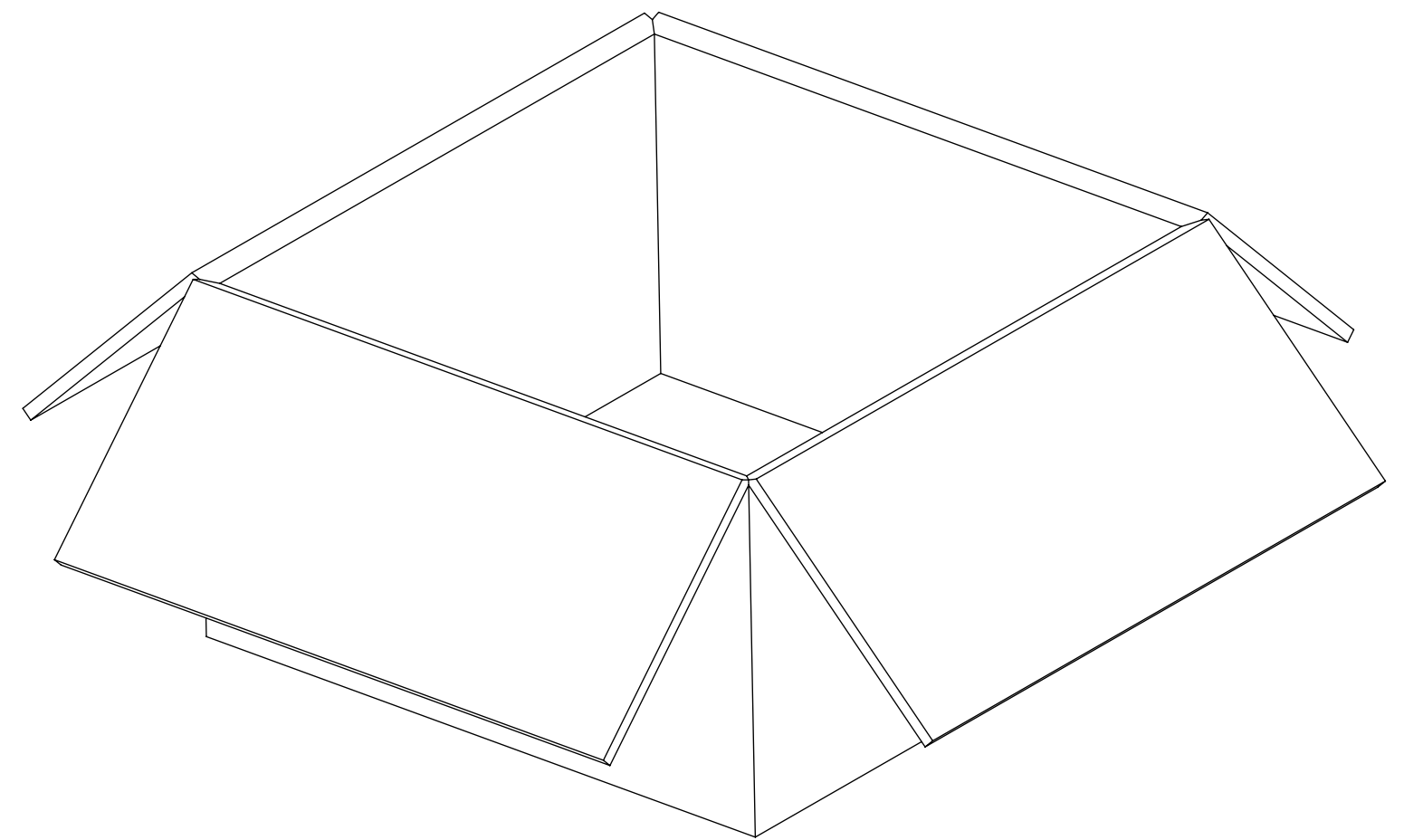
PART NO : 89762-9528
 PART NO : 89762-9529



25 SETS PER BAG
 P/N: 89707-0174



500 SET PER INNER CARTON BOX
 P/N: 96707-0001
 L371mm X W184mm X D192mm



1000 SET PER OUTER CARTON BOX
 P/N: 96708-0005
 L394mm X W391mm X D212mm

THIS DRAWING CONTAINS INFORMATION THAT IS PROPRIETARY TO MOLEX ELECTRONIC TECHNOLOGIES, LLC AND SHOULD NOT BE USED WITHOUT WRITTEN PERMISSION									
FUNCTIONAL SYMBOLS	DIMENSION UNITS	SCALE	CURRENT REV DESC:						
	$\frac{F}{A} = 0$	MM/INCH	NTS	EWR-15424-A ADDED PACKAGE DRAWING					
DIVISIONAL SYMBOLS	GENERAL TOLERANCES (UNLESS SPECIFIED)								
	$\frac{E}{C} = 0$	ANGULAR TOL ± °							
DIVISIONAL SYMBOLS	4 PLACES ±		EC NO: 720581						
	3 PLACES ±		DRWN: JSU18		2022/09/08				
	2 PLACES ±		CHK'D: YCHENG		2022/09/13				
	1 PLACE ±		APPR: YCHENG		2022/09/13				
0 PLACES ±		INITIAL REVISION:							
DRAFT WHERE APPLICABLE MUST REMAIN WITHIN DIMENSIONS		THIRD ANGLE PROJECTION		DRAWING		SERIES		DOCUMENT NUMBER	
				C-SIZE		89762		897629520	
								DOC TYPE DOC PART REVISION	
								PSD 000 A5	
								MATERIAL NUMBER CUSTOMER SHEET NUMBER	
								8 OF 8	

molex

CA SMA JACK STR TO MCRF W/DIA 1.13 CABLE
 CA-SMAJ/MCRF, EWR # 14155

PRODUCT CUSTOMER DRAWING

897629520

PSD 000 A5

8 OF 8