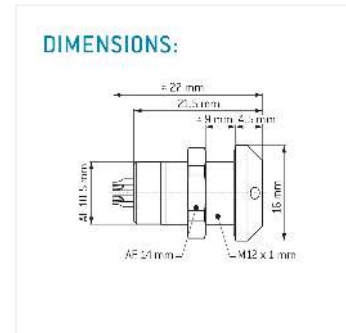
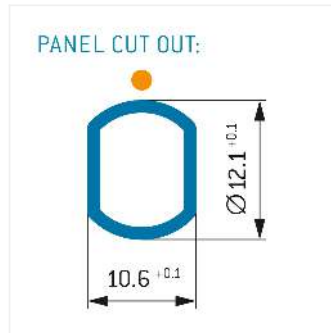
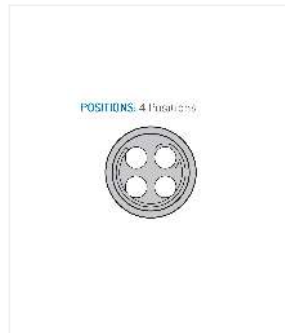
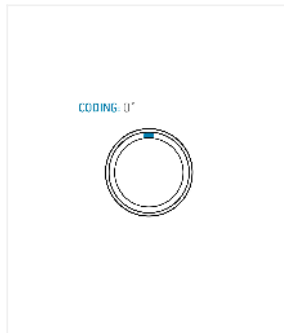


General information

| | |
|-------------------|---------------------|
| Part number | GL1LOC-P04LJG0-0000 |
| Termination | solder |
| Size | 1 |
| Locking principle | break , push |
| Coding | 0_key |



Contact insert description

| | |
|----------------------|--------------|
| Number of contacts | 4 |
| Contact type | sockets |
| Contact diameter | 09mm |
| Insulator material | peek |
| Wire cross section | 22_awg |
| Termination | solder |
| Termination diameter | 085mm |
| Data transmission | ethernet_100 |

reverse_gender_on_request

Technical information

| | | |
|--|----------|---------------|
| Max. creepage and air clearance distance | 10_mm | 14_mm |
| Nominal current single contact | 075_a | iec_60512_5_2 |
| Nominal current insert | 7,5 A | vde_0298_4 |
| Test voltage | 15_kv_ac | sae_13441 |

safety_text

Mechanical and environmental data

| | |
|-----------------------|----------|
| Degree of protection* | ip68 |
| Operating temperature | 40_120_c |
| Mating cycles | 5000 |

unmated

Material and surface treatments

| | |
|---------|---------------|
| Housing | m_chrome |
| Contact | cu_alloy_gold |

data_text

safety_text_2
data_text
ul_text
illustrative_text