

RFPC-SMA14-FN: SMA Right Angle Bulkhead Jack With O-ring, PCB Connector, Rated to IP67/68

Material and Plating:

- Insulator A: Teflon
- Insulator B: Teflon
- Insulator C: Teflon
- Body A: Brass, Gold Plated
- Body B: Brass, Gold Plated
- Pin A: Be Cu, Gold Plated
- Pin B: Brass, Gold Plated
- Gasket: Silicon, Color: Red
- O-Ring: Silicone, Color: Red
- Cap: Brass, Gold Plated

Washer: Brass, Gold Plated

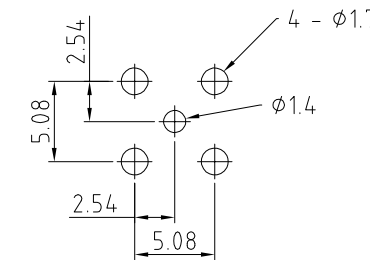
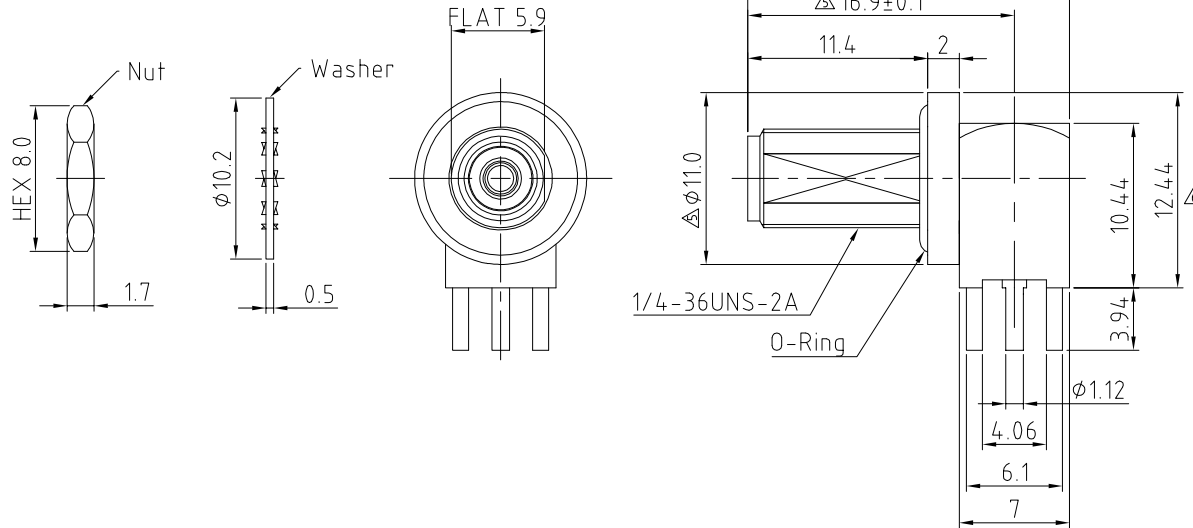
Nut: Brass, Gold Plated

Environmental:

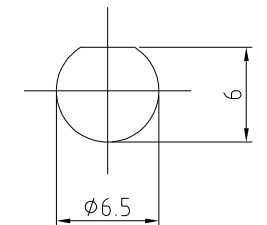
- A. Tested to:
 - i. IP6x - Dust tight - no particle ingress.
 - ii. IPx7 Waterproof for 30 minutes up to 1 meter underwater.
 - iii. IPx8 Waterproof for 48 hours at 1 meter underwater.

Notes:

1. Packaging Type: 160pcs/Tray.
2. Working Frequency Range: DC-3GHz.
3. Operating Temperature: -55°C~+155°C.
4. Impedance: 50 ohm.



Recommended PCB Hole Layout



Recommended Mounting Hole

HOW TO ORDER
RFPC - SMA14 - FN - X

WASHER AND NUT OPTIONS:
BLANK = SEPARATELY PACKED (STANDARD)
A = ALL ASSEMBLED WITH CONNECTOR

REV. DATE & DRN	10/06/17/17 - NYW RELEASE
11	27/11/17 - NYW ADD ENVIRONMENTAL INFO.
12	17/01/18 - NYW RELEASE OFFICIAL DRAWING.
13	18/02/19 - NYW ADD WASHER & NUT OPTIONS.
14	24/05/19 - NYW ADD OPERATING TEMP.
15	25/11/19 - NYW ADD UNSTATED TOLERANCE.
16	13/01/23 - NYW ADD TOLERANCE TO DIMENSIONS.
17	14/02/23 - NYW ADD IMPEDANCE.

Scale: NTS	THIRD ANGLE	Unstated Tolerances: X ±0.20 .XX ±0.10 XXX ±0.06 ANGLES ±2°
Drawn: NYW		
App'd: XXX	Title SMA PCB Connector	
Date: 14 FEB '23	Revision: 1.7	Unit: mm

		Type: RFPC-SMA14-FN
IP67/68 Rated Cables	www.gradconn.com	RFPC-SMA14-FN
© THIS DRAWING IS CONFIDENTIAL AND MUST NOT BE COPIED OR DISCLOSED WITHOUT WRITTEN CONSENT		Drawing Number:
		Sheet 1 of 1
		Drawing © E and O E