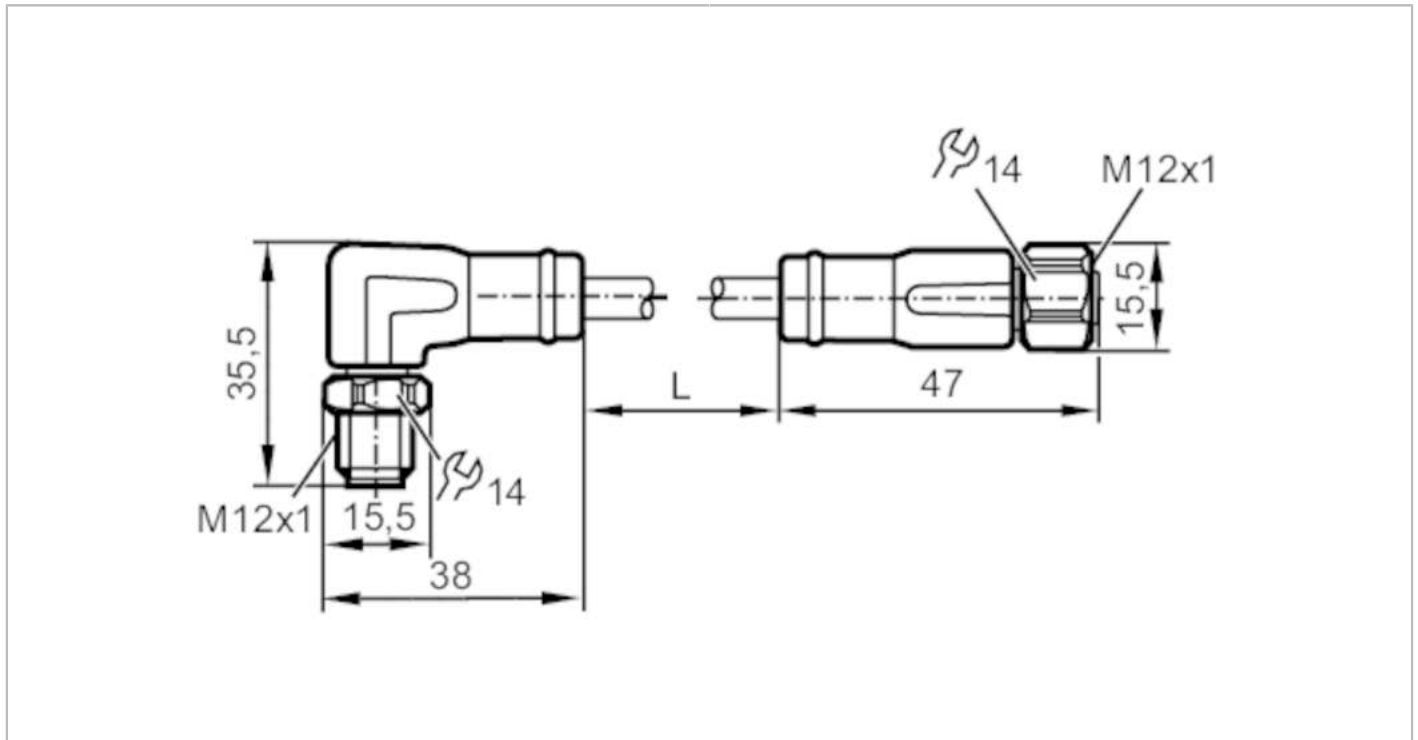


# EVF507



## Connection cable

VDOGH040VAP0002P04STAH040VAP



| Application   |  |
|---|--|
| Special feature   | Free from silicone; Halogen-free; Gold-plated contacts; Drag chain suitability |
| Application   | hygienic and wet areas in the food industry                                    |
| Free from silicone  | yes  |
| Electrical data   |  |
| Operating voltage [V]   | < 250 AC / < 300 DC  |
| Protection class  | II   |
| Max. current load total [A]                                     | 4  |
| Operating conditions  |  |
| Ambient temperature [°C]  | -25...100  |
| Ambient temperature (moving) [°C]                               | 0...100  |
| Storage temperature [°C]  | -25...55   |
| Storage humidity [%]  | 10...100   |
| Other climatic conditions for storage according to stated class | 1K22/ DIN 60721-3-1  |
| Protection  | IP 65; IP 67; IP 68; IP 69K  |
| Mechanical data   |  |
| Weight [g]  | 163.7  |
| Dimensions [mm]   | 35.5 x 15.5 x 38   |
| Materials   | PP Halogen-free; Sealing: EPDM   |
| Moulded-body material   | PP   |
| Material nut  | stainless steel (1.4404 / 316L)  |

# EVF507



## Connection cable

VDOGH040VAP0002P04STAH040VAP

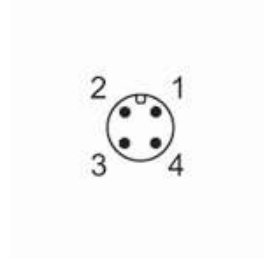
|                        |                                 |  |
|------------------------|---------------------------------|--|
| Drag chain suitability | yes                             |  |
| Drag chain suitability | bending radius for flexible use | min. 10 x cable diameter   |
|                        | travel speed                    | max. 3.3 m/s for a horizontal travel length of 5 m and max. acceleration of 5 m/s <sup>2</sup> |
|                        | bending cycles                  | > 1 Mio.   |
|                        | torsional strain                | ± 180 °/m  |

### Remarks

|               |        |
|---------------|--------|
| Pack quantity | 1 pcs. |
|---------------|--------|

### Electrical connection - plug

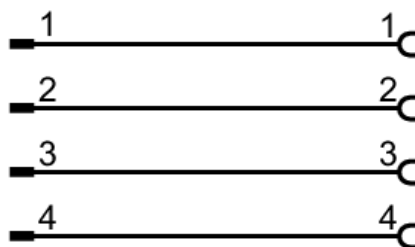
Connector: 1 x M12, angled; coding: A; Moulded body: PP; Locking: stainless steel (1.4404 / 316L); Contacts: gold-plated; Tightening torque: 0.6...1.2 Nm



### Electrical connection

Cable: 2 m, MPPE, Halogen-free, grey, Ø 6.2 mm; 4 x 1.00 mm<sup>2</sup> (32 x Ø 0.2 mm )

### Connection



### Electrical connection - socket

Connector: 1 x M12, straight; coding: A; Moulded body: PP; Locking: stainless steel (1.4404 / 316L); Contacts: gold-plated; Tightening torque: 0.6...1.5 Nm

