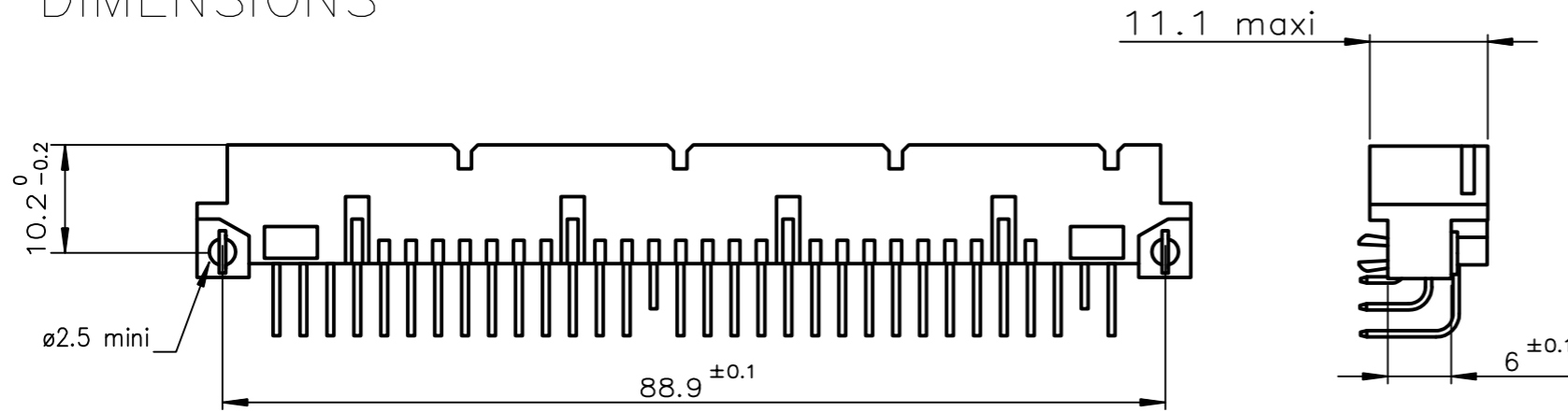


# DIMENSIONS



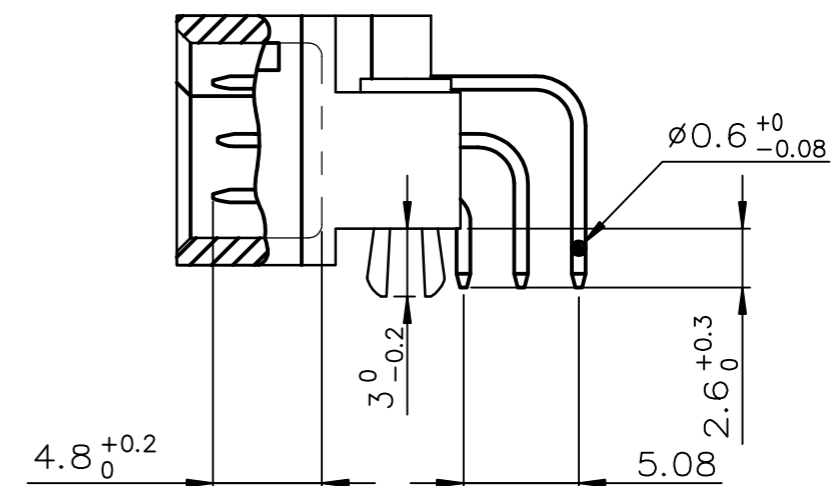
TIN LEAD PART NUMBER

PART NUMBER  
86093947113H40264E1

LEAD FREE PART NUMBER

PART NUMBER  
86093947113H40AOLF

## TERMINATION

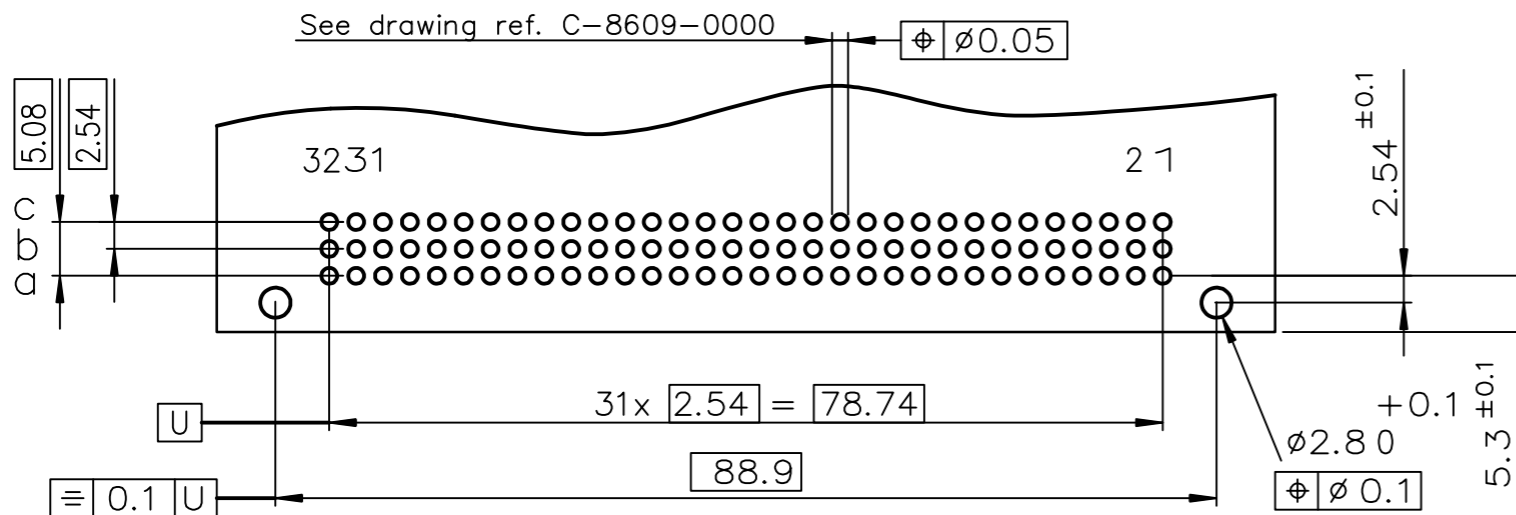


SPECIFICATION 264 = no contact in position : C15-C31  
or SPECIFICATION AO=

GENERAL CHARACTERISTICS AND ROHS INFORMATIONS:  
SEE DRAWING C-8609-0000A

## P.C. CARD DRILLING (Component side view)

See drawing ref. C-8609-0000



European Views

www.fciconnect.com		surface ISO 1302	tolerance std ISO 406 ISO 1101	projection mm
		TOLERANCES UNLESS OTHERWISE SPECIFIED		
Dr	ROUILLARD	2001/01/31	0.X	±0.1
Eng	TARON	2001/01/31	0.XX	±0.1
Chr	M JACOB	2021/07/21	0.XXX	±0.1
Appr	SANOJ	2021/07/21	size A3	
Product family			Scale 1.5	
DIN 8609			ECN ELX-I-41744	
Spec ref -				
title STANDARD MALE 3 ROW 94 CONTACTS		dwg no C-8609-0880		Rev. D
catalog no		CUSTOMER		sheet 1 of 1

rev	ecn no	dr	date
A	-	-	2001/01/31
B	LS05-001	JTA	2005/03/03
C	LS06-0095	LGO	2006/06/26
D	ELX-I-41744	MJA	2021/07/21
-	-	-	-
-	-	-	-
-	-	-	-