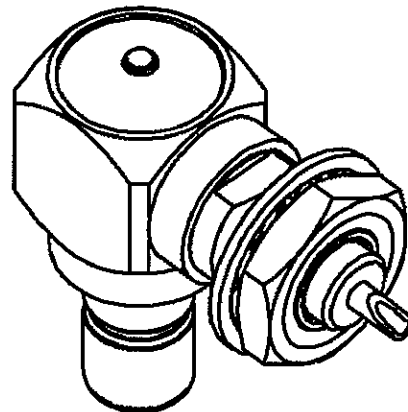
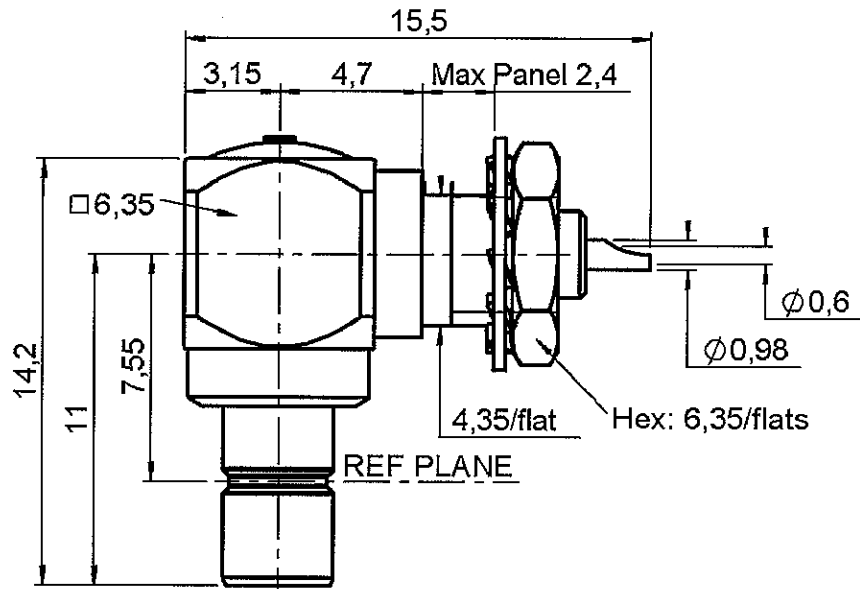


**MALE BULKHEAD RECEPTACLE**

**FRONT MOUNT - SOLDER POT**

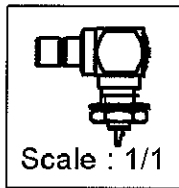
**R114.670.000**

Series : SMB



**PANEL CUT OUT**

mm	
Maxi	mini
A	4.95
B	4.5



All dimensions are in mm.



COMPONENTS	MATERIALS	PLATING (µm)
BODY	BRASS	GOLD 0.2 OVER NICKEL 2
CENTER CONTACT	BRASS	GOLD 1.3 OVER NICKEL 2
OUTER CONTACT	-	-
INSULATOR	PTFE	-
GASKET	-	-
OTHERS PARTS	BRASS	GOLD 0.2 OVER NICKEL 2
-	-	-
-	-	-

Issue : 0547 E

In the effort to improve our products, we reserve the right to make changes judged to be necessary.



**MALE BULKHEAD RECEPTACLE  
FRONT MOUNT - SOLDER POT**

**R114.670.000**

Series : SMB

**PACKAGING**

**SPECIFICATION**

Standard	Unit	Other
100	'W' option	Contact us

**ELECTRICAL CHARACTERISTICS**

**ENVIRONMENTAL**

Impedance		50 Ω
Frequency		0-4 GHz
VSWR	1.30 +	0.008 x F(GHz) Maxi
Insertion loss		0.07* √F(GHz) dB Maxi
RF leakage	- (	57 - F(GHz)) dB Maxi
Voltage rating		500 Veff Maxi
Dielectric withstanding voltage		1000 Veff mini
Insulation resistance		1000 MΩ mini

Operating temperature	-65/+165 °C
Hermetic seal	NA Atm.cm3/s
Panel leakage	NA

**OTHER CHARACTERISTICS**

Assembly instruction NA

Others :

\* Coaxial Transmission Line Only

**MECHANICAL CHARACTERISTICS**

Center contact retention	
Axial force – Mating end	10 N mini
Axial force – Opposite end	10 N mini
Torque	NA N.cm mini
Recommended torque	
Mating	NA N.cm
Panel nut	60 N.cm
Mating life	500 Cycles mini
Weight	3.116 g

Issue : 0547 E

In the effort to improve our products, we reserve the right to make changes judged to be necessary.



**RADIALL®**