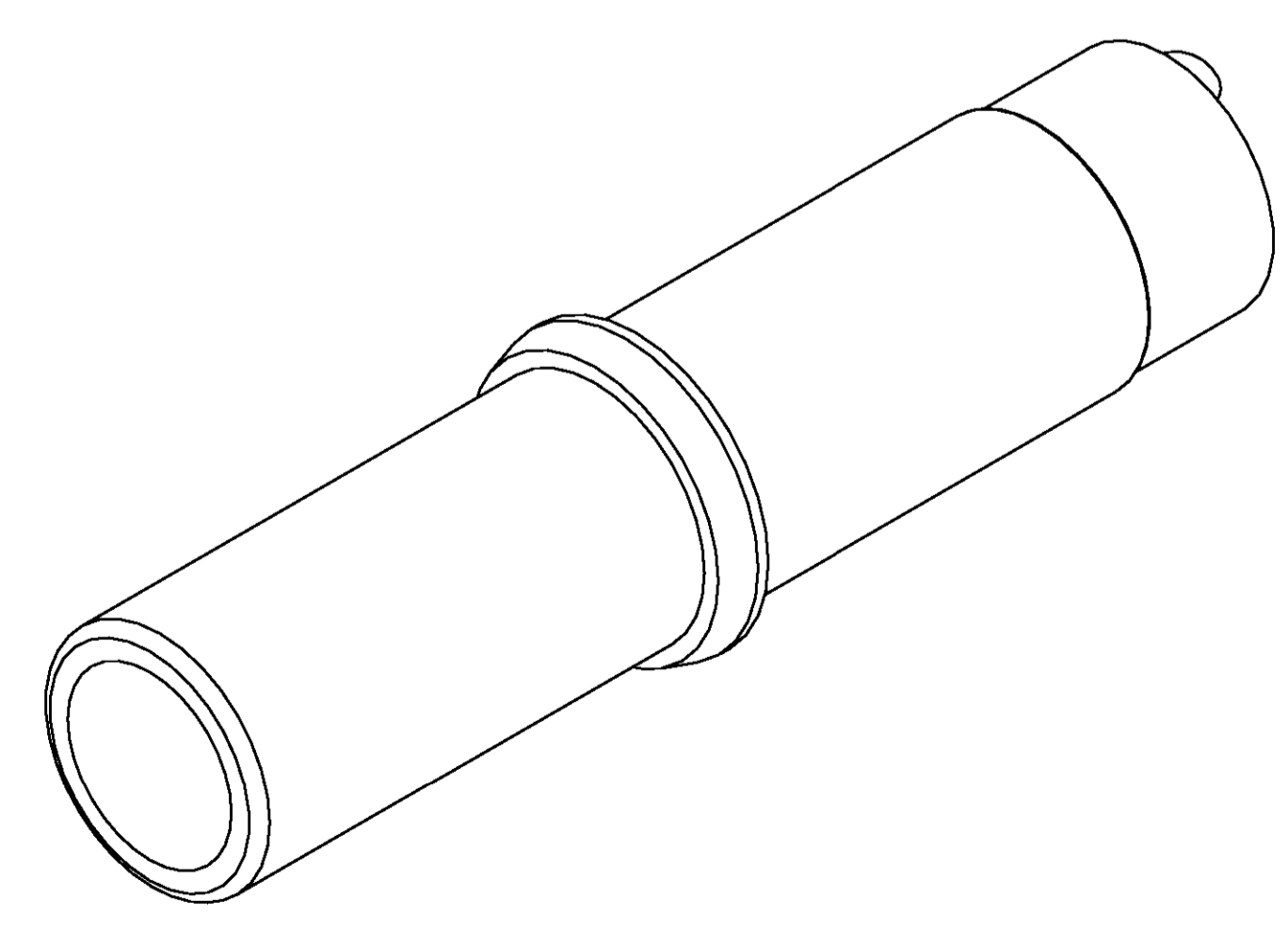
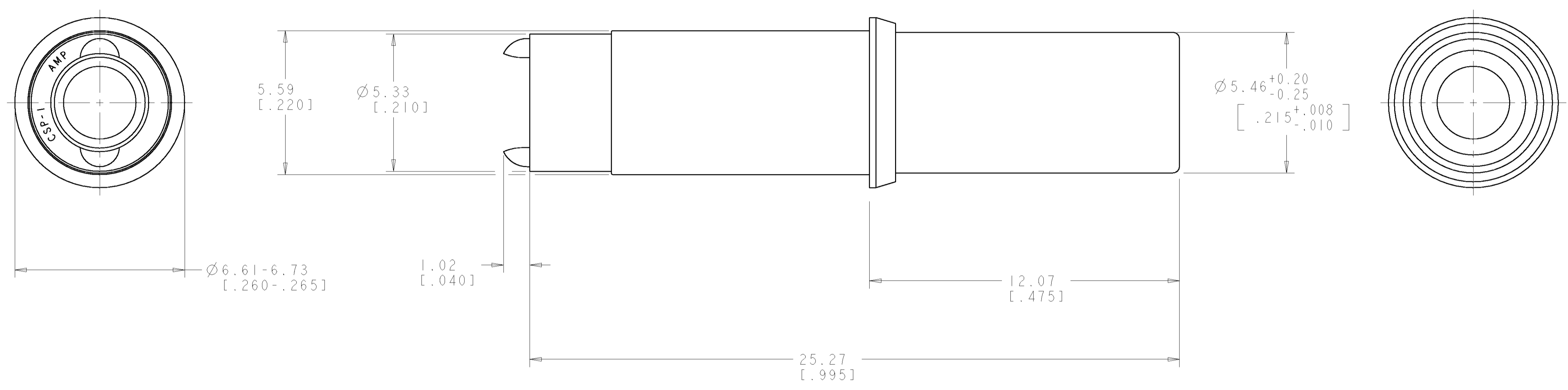


LOC	DIST	REVISIONS					
		P	LTR	DESCRIPTION	DATE	DWN	APVD
CM	00	C		REVISED PER 0638-0341-02	14-APR-03	KW	DC

1. MATES WITH CAP 480350, 480351, OR 480401.
 MATERIAL - NYLON, UL94V-2, WEATHER RESISTANT, BLACK.



SCALE 8:1

METRIC

1-480400-0
 PART NUMBER

<small>THIS DRAWING IS UNPUBLISHED. RELEASED FOR PUBLICATION BY TYCO ELECTRONICS CORPORATION. ALL RIGHTS RESERVED.</small>		DWN: B. WHITAKER 14-APR-2003 CHK: D. COLEY 14-APR-2003 APVD: D. COLEY 14-APR-2003	tyco Tyco Electronics Harrisburg, PA 17105-3608
DIMENSIONS: mm [INCHES] TOLERANCES UNLESS OTHERWISE SPECIFIED: 0 PLC ± 1 PLC ± 2 PLC ±0.13 (.005) 3 PLC ± 4 PLC ± ANGLES 40°±10°	PRODUCT SPEC APPLICATION SPEC	NAME: SINGLE CIRCUIT MATE-N-LOK™ PLUG SIZE: A CAGE CODE: 00779 DRAWING NO: C-480400	RESTRICTED TO:
MATERIAL:	FINISH:	WEIGHT: - CUSTOMER DRAWING	SCALE: 10:1 SHEET: 1 OF 1 REV: C