



TE Internal #: 1-179316-2

Connector Contact, Socket, Wire-to-Board, 20 – 16 AWG Wire Size, 992.68 – 2802.41 CMA Wire Size, .503 – 1.419 mm² Wire Size, Gold, Reel, Wire & Cable

[View on TE.com >](#)

Connectors > PCB Connectors > Wire-to-Board Connectors > Wire-to-Board Connector Contacts



Contact Type: **Socket**

Connector System: **Wire-to-Board**

Centerline (Pitch): **12 mm [.472 in]**

Wire Size: **992.68 – 2802.41 CMA**

Features

Product Type Features

Connector System	Wire-to-Board
Connector & Contact Terminates To	Wire & Cable

Electrical Characteristics

Operating Voltage	250 VAC
-------------------	---------

Contact Features

Mating Tab Width	3 mm [.118 in]
Mating Tab Thickness	.65 mm [.025 in]
Contact Underplating Material Thickness	.8 μm [31.5 μin]
Wire Contact Termination Area Plating Material	Tin
Contact Mating Area Plating Material Thickness	.38 μm [15 μin]
Contact Length	21.3 mm [.839 in]
Contact Underplating Material	Nickel
Contact Base Material	Copper Alloy
Contact Type	Socket
Contact Mating Area Plating Material	Gold



Contact Current Rating (Max)	15 A
------------------------------	------

Termination Features

Termination Method to Wire & Cable	Crimp
------------------------------------	-------

Mechanical Attachment

Connector Mounting Type	Cable Mount (Free-Hanging)
-------------------------	----------------------------

Housing Features

Centerline (Pitch)	12 mm [.472 in]
--------------------	-----------------

Dimensions

Compatible Insulation Diameter Range	1.6 – 2.8 mm [.063 – .11 in]
--------------------------------------	------------------------------

Wire Size	.503 – 1.419 mm ²
-----------	------------------------------

Usage Conditions

Operating Temperature Range	-30 – 105 °C [-22 – 221 °F]
-----------------------------	-----------------------------

Operation/Application

Circuit Application	Power
---------------------	-------

Packaging Features

Packaging Quantity	4500
--------------------	------

Packaging Method	Reel
------------------	------

Other

Connector Contacts Comment	Housing PN: X-179323-X, X-179312-X
----------------------------	------------------------------------

Product Compliance

[For compliance documentation, visit the product page on TE.com>](#)

EU RoHS Directive 2011/65/EU	Compliant
------------------------------	-----------

EU ELV Directive 2000/53/EC	Compliant
-----------------------------	-----------

China RoHS 2 Directive MIIT Order No 32, 2016	No Restricted Materials Above Threshold
---	---

EU REACH Regulation (EC) No. 1907/2006	Current ECHA Candidate List: JUNE 2023 (235) Candidate List Declared Against: JUNE 2023 (235) Does not contain REACH SVHC
--	---

Halogen Content	Low Halogen - Br, Cl, F, I < 900 ppm per homogenous material. Also BFR/CFR/PVC Free
-----------------	---

Solder Process Capability	Not applicable for solder process capability
---------------------------	--

Product Compliance Disclaimer

This information is provided based on reasonable inquiry of our suppliers and represents our current actual knowledge based on the information they provided. This information is subject to change. The part numbers that TE has identified as EU RoHS compliant have a maximum concentration of 0.1% by weight in homogenous materials for lead, hexavalent chromium, mercury, PBB, PBDE, DBP, BBP, DEHP, DIBP, and 0.01% for cadmium, or qualify for an exemption to these limits as defined in the Annexes of Directive 2011/65/EU (RoHS2). Finished electrical and electronic equipment products will be CE marked as required by Directive 2011/65/EU. Components may not be CE marked. Additionally, the part numbers that TE has identified as EU ELV compliant have a maximum concentration of 0.1% by weight in homogenous materials for lead, hexavalent chromium, and mercury, and 0.01% for cadmium, or qualify for an exemption to these limits as defined in the Annexes of Directive 2000/53/EC (ELV). Regarding the REACH Regulation, the information TE provides on SVHC in articles for this part number is based on the latest European Chemicals Agency (ECHA) 'Guidance on requirements for substances in articles' posted at this URL: <https://echa.europa.eu/guidance-documents/guidance-on-reach>

Compatible Parts




TE Part # CAT-AM7053-D797R
 MINI CT DRAWER RECEPTACLE HOUSINGS



TE Part # 2-292185-8
 REC ASS'Y OF HYB DRAWER 32P



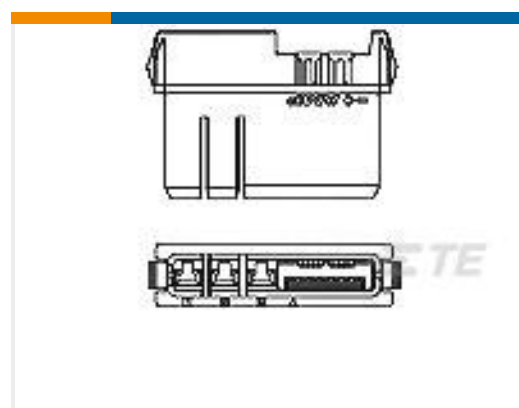
TE Part # 1-292186-2
 REC ASS'Y OF HYB DRAWER 18P



TE Part # 2-292185-0
 REC ASS'Y OF HYB DRAWER 24P



TE Part # 292185-8
 REC ASS'Y OF HYB DRAWER 12P



TE Part # 1-292192-3
 REC ASS'Y OF HYB SF DRAWER 10P



TE Part # 2-2151244-1
 OCEAN_2.0_Applicator-S-085F120F



TE Part # 2-2151244-2
 OCEAN_2.0_Applicator-S-085F120F



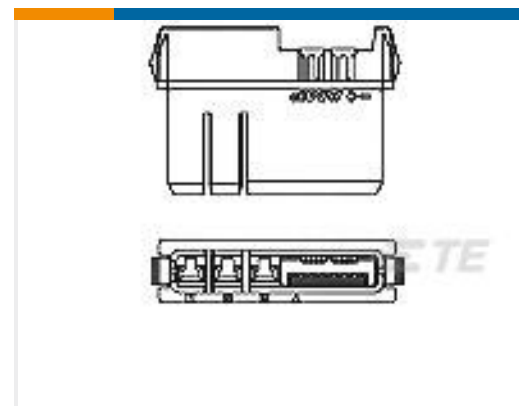
TE Part # 2-292190-2
 REC ASS'Y OF HYB SF DRAWER8P



TE Part # 2151244-1
 OCEAN_2.0_Applicator-S-085F120F



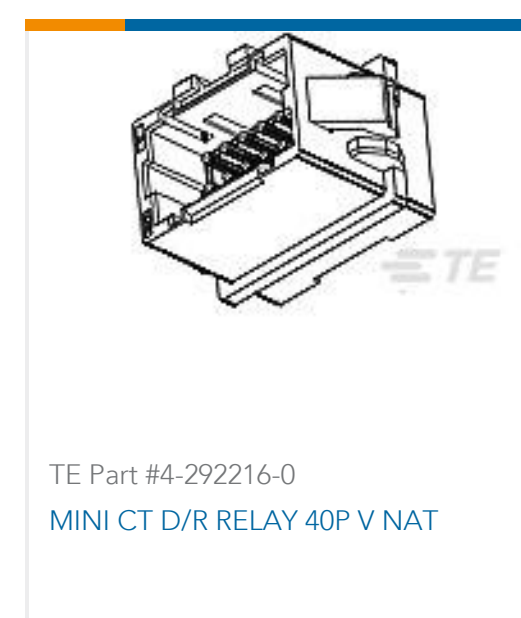
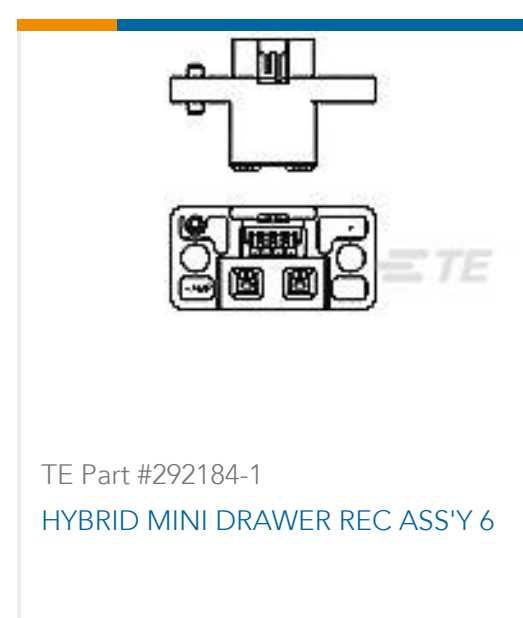
TE Part # 2151244-2
 OCEAN_2.0_Applicator-S-085F120F



TE Part # 4-292190-2
 REC ASS'Y OF HYB SF DRAWER9P



Customers Also Bought



Documents

Product Drawings

[HYBRID MINI DRAWER REC CONT.](#)

English

CAD Files

[Customer View Model](#)

[ENG_CVM_CVM_1-179316-2_L.2d_dxf.zip](#)

English

[3D PDF](#)



3D

Customer View Model

[ENG_CVM_CVM_1-179316-2_L.3d_igs.zip](#)

English

Customer View Model

[ENG_CVM_CVM_1-179316-2_L.3d_stp.zip](#)

English

By downloading the CAD file I accept and agree to the [Terms and Conditions](#) of use.

Datasheets & Catalog Pages

[POWER_CONNECTORS_CATALOG_SEC02_CABLE_MOUNTED](#)

English

[Low Power Drawer Connectors QRG](#)

English

Product Specifications

[Application Specification](#)

English

[Crimping Hybrid Mini Drawer Connector Power Line Contact](#)

English

Product Environmental Compliance

[TE Material Declaration](#)

English