

THIS DOCUMENT IS SUBJECT TO CHANGE WITHOUT NOTICE. IT IS CONFIDENTIAL AND A PROPERTY OF Amphenol LTW. DISCLOSURE TO THIRD PARTY HAS TO BE AUTHORIZED BY Amphenol LTW.

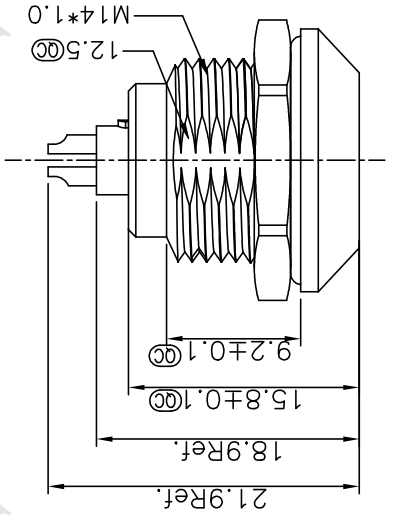
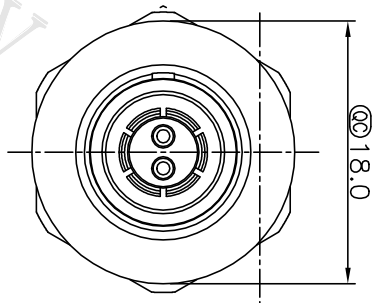
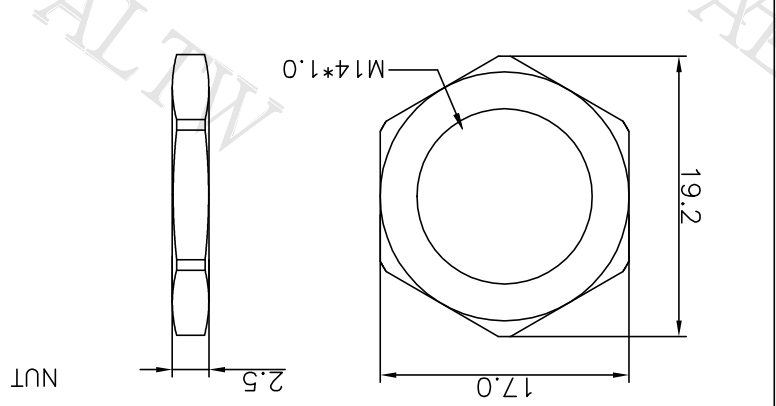
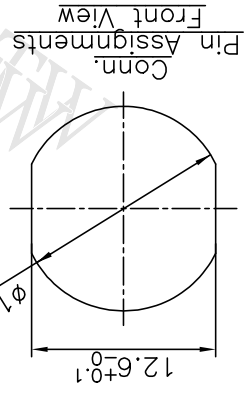
REV. B		DESCRIPTION	
Change Number			
8	7	6	5

DATE	2019/02/25	APPROVED BY	Jerry
DATE	2019/02/25	CHECKED BY	Mafei
DATE	2019/02/25	DRAWN BY	Ouyang

ITEM NO	B	CUSTOMER	ALTW
DWG NO	FLKB-XXEGFS-XCP-XXX	安費諾亮泰企業股份有限公司	

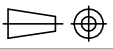

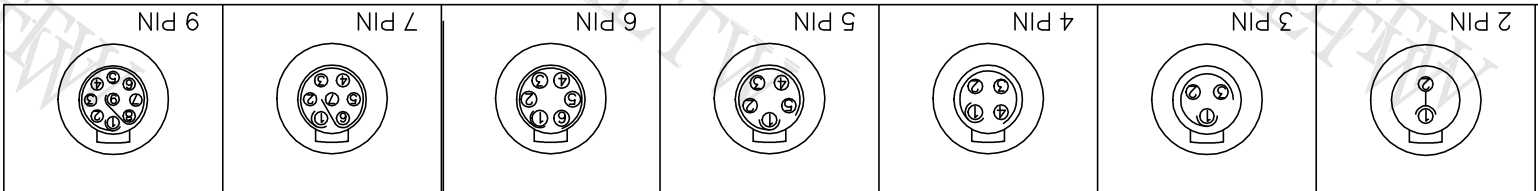
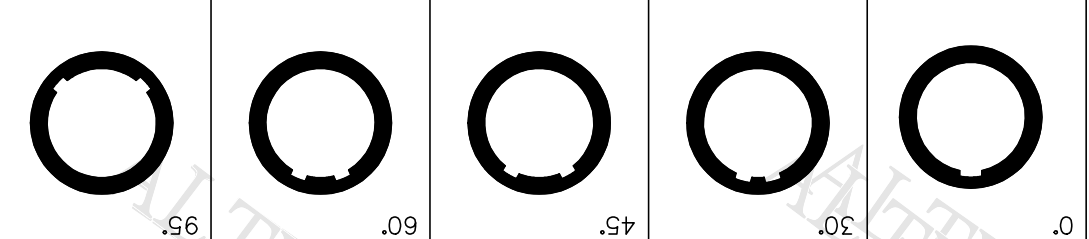
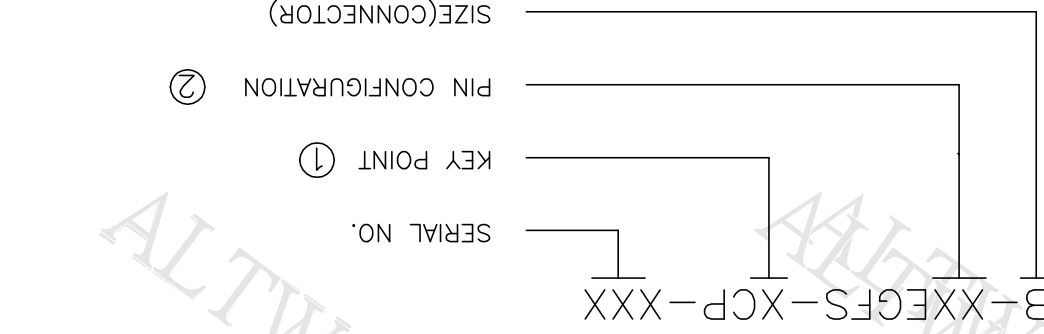
TITLE	FLO OK PANEL CONNECTOR
SCALE	Free
SHEET	1 OF 2
REV.	B
SIZE	A4
QC	inspection Item

UNIT:mm	TOLERANCE
±0.5MM	



- Notes:
- * @Important Dimensions To Check.
 - * Waterproof Rate: IP68(Mated)
 - * Female Pin: Copper Alloy, Gold Plated.
 - * Use Panel Thickness Max: 6.0mm

1 2 3 4 5 6 7 8 A B C D E F

1 ±0.5MM TOLERANCE UNIT:mm 	2 REV. B SCALE Free SHEET 2 OF 2 TITLE FLO OK PANEL CONNECTOR (QC) :inspection Item	3 4 5 Amphenol LTW 安費諾亮泰企業股份有限公司 CUSTOMER ALTW FLKB-XXEGFS-XCP-XXX DWG NO ITEM NO  B	6 7 2019/02/25 DATE DRAWN BY Ouyang CHECKED BY Mafei APPROVED BY Jerry DATE 2019/02/25 DATE 2019/02/25	8 7 6 5 4 3 2 1 THIS DOCUMENT IS SUBJECT TO CHANGE WITHOUT NOTICE. IT IS CONFIDENTIAL AND A PROPERTY OF Amphenol LTW. DISCLOSURE TO THIRD PARTY HAS TO BE AUTHORIZED BY Amphenol LTW.
B GRAPHIC 	PIN CONFIGURATION (Solder Definition) ②	C GRAPHIC 	CODE ① G A B C D	D KEY POINT
F E SERIAL NO. KEY POINT ① PIN CONFIGURATION ② SIZE(CONNECTOR)	FLKB-XXEGFS-XCP-XXX 	8 7 6 5 4 3 2 1		