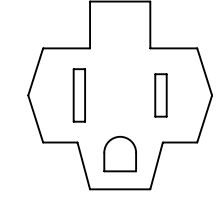
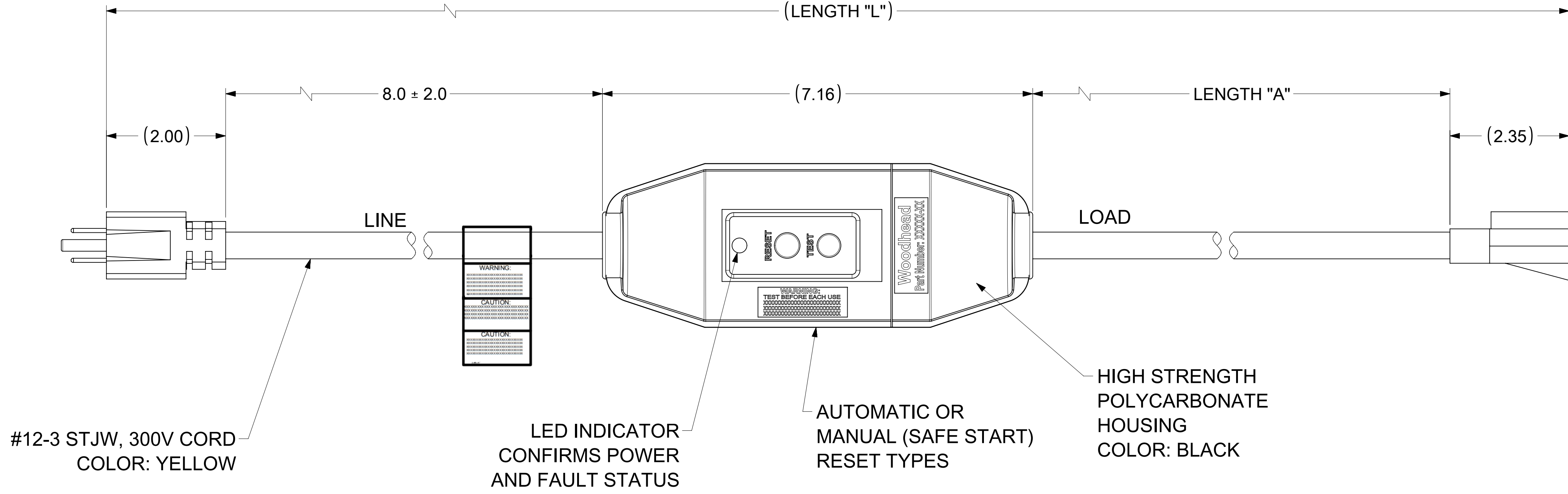


NEMA 5-15P  
MOLDED PLUG  
COLOR: BLACK



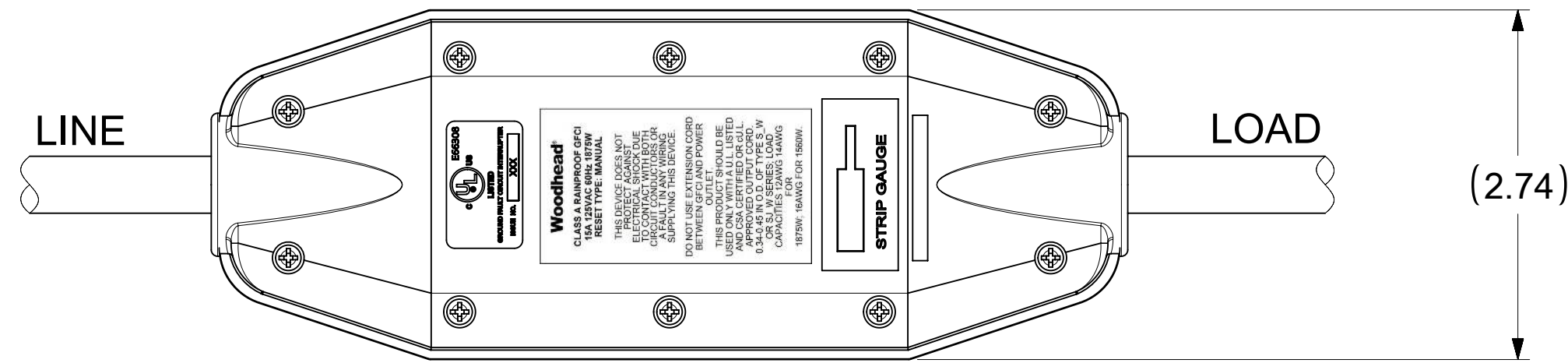
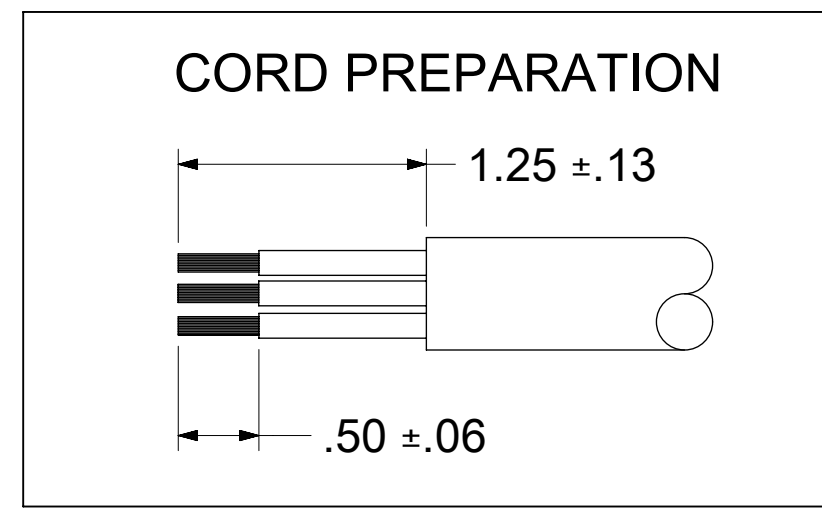
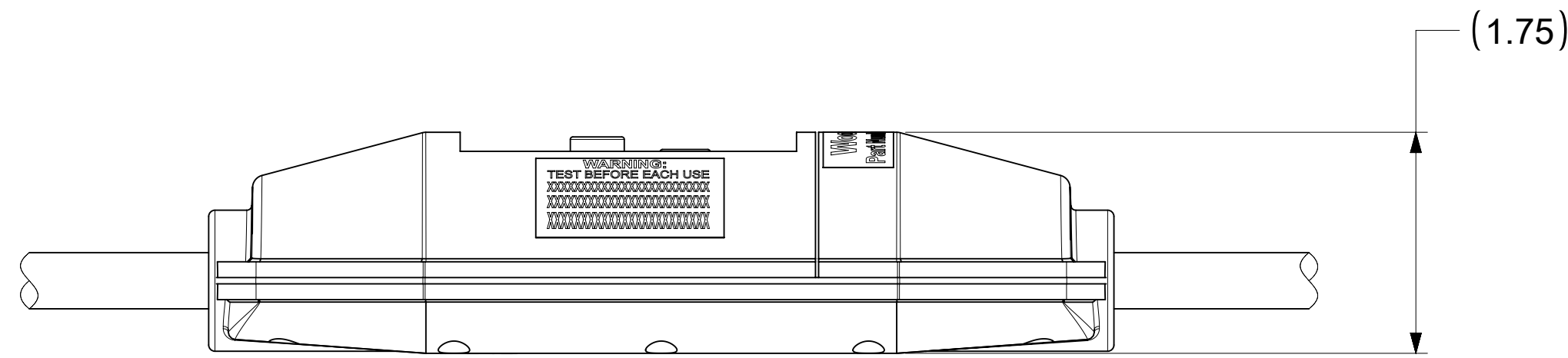
NEMA 5-15R  
MOLDED CONNECTOR  
COLOR: BLACK

#12-3 STJW, 300V CORD  
COLOR: YELLOW

LED INDICATOR  
CONFIRMS POWER  
AND FAULT STATUS

AUTOMATIC OR  
MANUAL (SAFE START)  
RESET TYPES

HIGH STRENGTH  
POLYCARBONATE  
HOUSING  
COLOR: BLACK



MATERIAL NO.	ENGINEERING NO.	LENGTH "L"	LENGTH "A"	POWER-UP
1301530020	15050-1A	2 FT 7.5 IN	1 FT ± 1 IN	AUTO
1301530037	15050-6A	7 FT 7.5 IN	6 FT ± 2 IN	AUTO
1301530023	15050-25A	26 FT 7.5 IN	25 FT ± 2 IN	AUTO
1301530031	15050-50A	51 FT 7.5 IN	50 FT ± 4 IN	AUTO
1301530021	15050-1M	2 FT 7.5 IN	1 FT ± 1 IN	MANUAL
1301530038	15050-6M	7 FT 7.5 IN	6 FT ± 2 IN	MANUAL
1301530024	15050-25M	26 FT 7.5 IN	25 FT ± 2 IN	MANUAL
1301530032	15050-50M	51 FT 7.5 IN	50 FT ± 4 IN	MANUAL

**TECHNICAL:**  
**LISTED:** UL AND cUL  
**RATED SUPPLY VOLTAGE:** 120 VAC  
**RATED CURRENT:** UP TO 15 AMPS OR CABLE RATING  
**RESET TYPE:** AUTOMATIC OR MANUAL  
**OPERATING FREQUENCY:** 60 Hz  
**TYPE:** CLASS A  
**GROUND TRIP CURRENT:** 4-6 mA  
**OVERLOAD CURRENT:** 90 AMP 125 VAC  
**INSULATION VOLTAGE:** 1,500 VRMS - 1 MINUTE  
**ENDURANCE OPERATIONS:** 3000 OPERATIONS

FUNCTIONAL SYMBOLS FA = 0 FC = 0 FD = 0	THIS DRAWING CONTAINS INFORMATION THAT IS PROPRIETARY TO MOLEX ELECTRONIC TECHNOLOGIES, LLC AND SHOULD NOT BE USED WITHOUT WRITTEN PERMISSION	SCALE INCH NTS	CURRENT REV DESC:				
	GENERAL TOLERANCES (UNLESS SPECIFIED) ANGULAR TOL ± 0.5°	4 PLACES ± 3 PLACES ± 2 PLACES ± 0.13 1 PLACE ± 0.25 0 PLACES ±	EC NO: 686220 DRWN: VBASUTHKARP 2021/11/11 CHK'D: DNGUYEN62 2021/12/01 APPR: HKNEELAND 2022/01/04	 120V 15A INLINE GFCI W/ MOLDED PLUG & CONN NEMA 5-15 PRODUCT CUSTOMER DRAWING			
DIVISIONAL SYMBOLS	DRAFT WHERE APPLICABLE MUST REMAIN WITHIN DIMENSIONS	THIRD ANGLE PROJECTION	INITIAL REVISION: DRWN: HRUIZ01 2013/02/06 APPR: JFMURPHY 2015/04/20		DOCUMENT NUMBER <b>SD-130153-013</b>		
DOCUMENT STATUS	P1	RELEASE DATE	2022/01/04 19:20:27	DRAWING SERIES <b>D-SIZE 130153</b>	MATERIAL NUMBER SEE TABLE	CUSTOMER NORTH SHORE SAFETY	SHEET NUMBER 1 OF 1