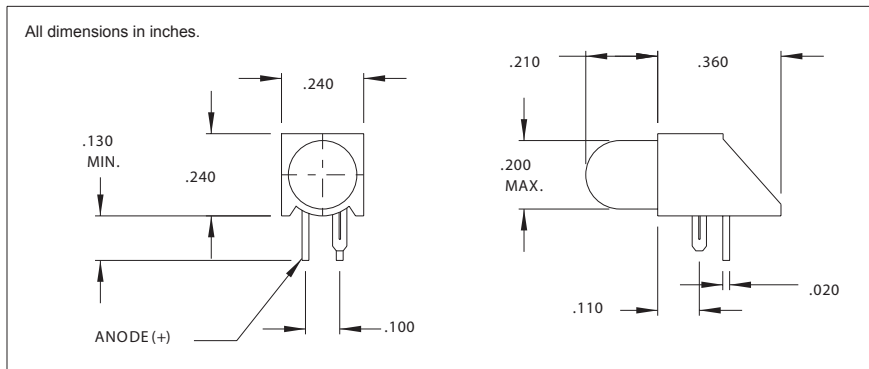


5307 Series T-1 3/4 Right Angle LED Assembly Description and Features



Features

- Press-in pin design holds block in place while being soldered.
- Block mounting, low profile design, height & spacing alignment save assembly cost.
- Super Brite LEDs-high intensity light output, diffused lens.
- Built-in resistor chip operates off 5V supply without external resistor.
- Standoffs prevent flux entrapment.
- RoHS Compliant

Housing: Black Nylon, UL94V-O

Alternate LEDs are also available in this package as a standard variation. Refer to "Mounting Hole Pattern 4.pdf"

Electro-Optical Characteristics and Ratings

| Part Number | Color | Typ. Intensity (mcd) | Rated Current (mA) | Continuous Forward CurrentMax. (mA) | Forward VoltageTyp. (V) | Forward VoltageMax. (V) | PeakForward Current@1ms-300pps(A) | Reverse Break-down VoltageMin. (V) | Peak Wavelength (nm) |
|-------------|--------|----------------------|--------------------|-------------------------------------|-------------------------|-------------------------|-----------------------------------|------------------------------------|----------------------|
| 5307H1 | Red | 6.3 | 10 | 60 | 2.0 | 3.0 | 1.0 | 5 | 650 |
| 5307H3 | Amber | 10 | 10 | 60 | 2.0 | 3.0 | 1.0 | 5 | 608 |
| 5307H5 | Green | 10 | 10 | 60 | 2.2 | 3.0 | .09 | 5 | 563 |
| 5307H7 | Yellow | 6.3 | 10 | 60 | 2.1 | 3.0 | 1.0 | 5 | 585 |
| 5307H1LC | Red | 2.3 | 2.0 | 7 | 1.8 | 2.2 | .007 | 5 | 635 |
| 5307H5LC | Green | 2.3 | 2.0 | 7 | 1.8 | 2.2 | .007 | 5 | 565 |
| 5307H7LC | Yellow | 2.1 | 2.0 | 7 | 1.9 | 2.7 | .007 | 5 | 583 |
| 5307H1-5V | Red | 8 | 10 | 15 | 5 | 7.5 | - | 5 | 635 |
| 5307H3-5V | Amber | 8 | 10 | 15 | 5 | 7.5 | - | 5 | 583 |
| 5307H5-5V | Green | 8 | 12 | 15 | 5 | 7.5 | - | 5 | 565 |