

PRODUCT DATASHEET

PART NUMBER: CX6155NL

- Diplexer 5-865/975-1025 MHz
- Suitable for MoCA Applications / FTTP-ONT
- Impedance = 75 Ohms
- Surge Protection 10/1000 uS, 3KV, 120A
- RoHS Compliant
- Operating Temperature = -40°C to 85°C

Electrical Specifications @ 25°C

INSERTION LOSS : CATV

5-865 MHz	975-1025 MHz								
1.8 dB Max	45 dB Min								

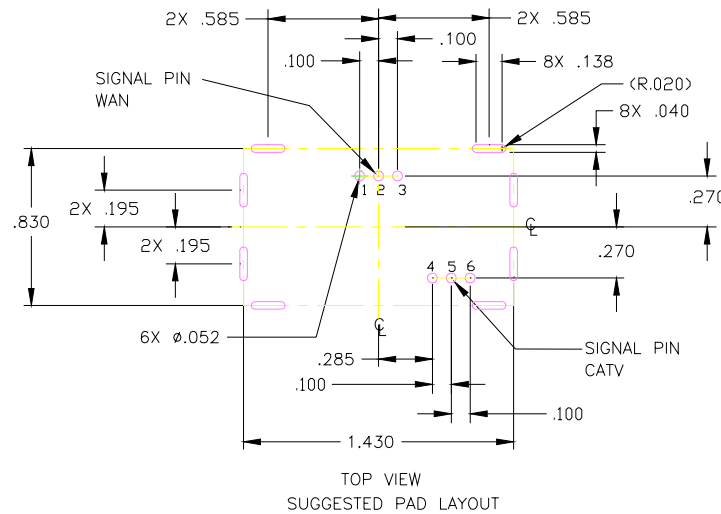
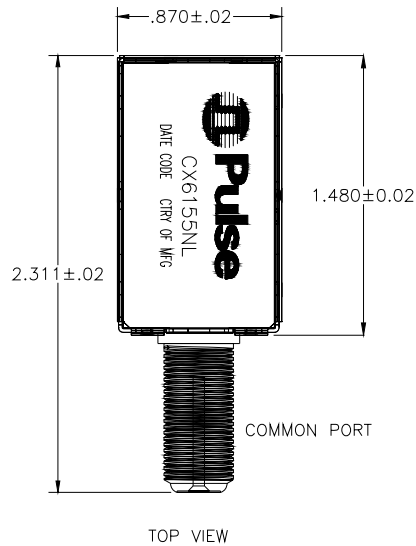
INSERTION LOSS : WAN

5-600 MHz	601-865 MHz	975-1025 MHz	1125-1324 MHz	1325-1525 MHz	2000 MHz				
50 dB Min	40 dB Min	4.0 dB Max	44 dB Min	45 dB Min	50 dB Min				

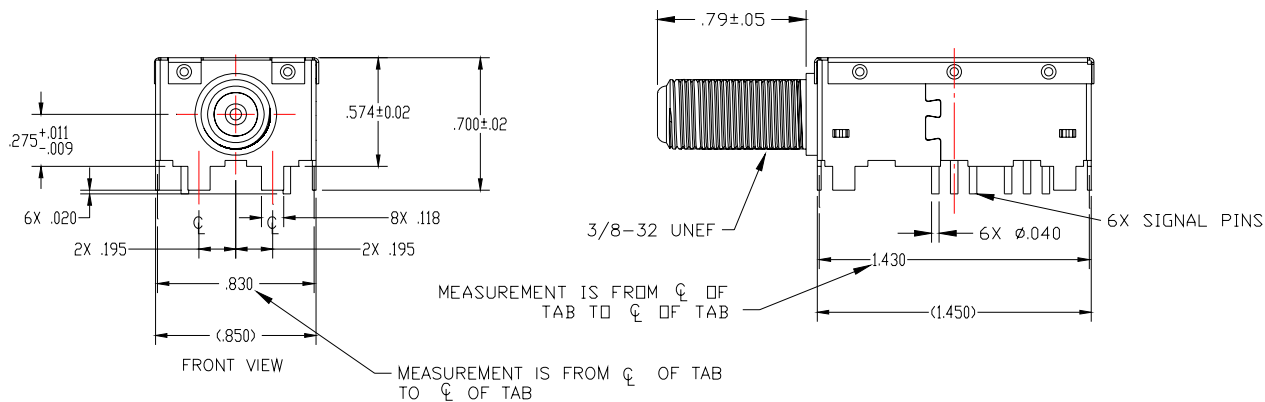
RETURN LOSS :

5-865 MHz	975-1025 MHz								
12 dB Min	10 dB Min								

Mechanical Specifications



DESIGNATIONS	
COMMON PORT (CP)	FC1
HIGHPASS (WAN)	PIN 2
LOWPASS (CATV)	PIN 5
GROUND (GND)	PINS 1 & 3
GROUND (GND)	PINS 4 & 6



HOUSING SPECIFICATIONS:
 BODY - SPT
 CONNECTOR - F TYPE, FEMALE

DIMENSIONS	INCH
TOLERANCES	.XX +/- .01
	.XXX +/- .005