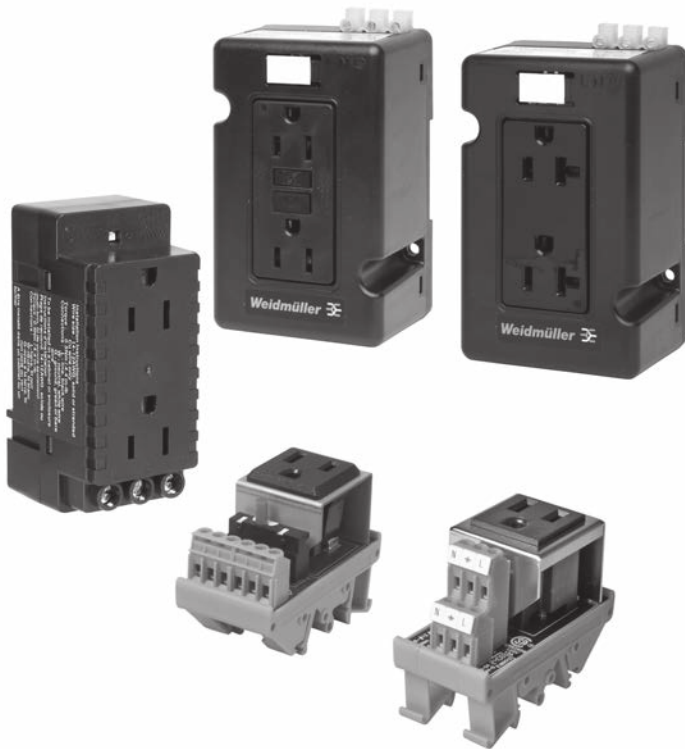


## Datasheet

### AC Outlet

### DIN-Rail Mountable Receptacles



DIN-rail receptacles, 5A, 15A and 20A power outlets, provide a convenient power source for portable computers or test devices for in-the-panel troubleshooting. They mount on standard 35mm DIN-rail. The terminations accept slotted or Phillips screwdrivers. The mounting foot includes a latching lock - slide it open, mount the module on the DIN-rail and slide the lock closed.

- Easily snaps onto 35mm DIN-rail
- Panel mountable, model dependent
- 5A, 15A or 20A versions
- Easy to wire
- Available with ground fault current interrupt (GFCI) or standard outlets
- Optional power-on indication with GFCI\*
- NEMA rated enclosure with UL94 VO flammability rating
- UL508A, cULus, and cURus and CSA\* approved
- Latching mounting foot makes installation and removal from DIN-rail easy

\*Applies to part number 6720005430

#### **Weidmuller, Canada**

10 Spy Court  
Markham, Ontario L3R 5H6  
Telephone: (800) 268-4080  
Facsimile: (877) 300-5635  
Email: [info1@weidmuller.ca](mailto:info1@weidmuller.ca)  
Website: [www.weidmuller.ca](http://www.weidmuller.ca)

#### **Weidmuller, Mexico**

Bldv. Hermanos Serdán 698,  
Col. San Rafael Oriente  
Puebla, Puebla, Mexico  
C.P. 72029  
Telephone: 01 222 2686267  
Facsimile: 01 222 2686219  
Email: [clientes@weidmuller.com.mx](mailto:clientes@weidmuller.com.mx)  
Website: [www.weidmuller.com.mx](http://www.weidmuller.com.mx)

#### **Weidmuller, United States**

821 Southlake Blvd.  
Richmond, Virginia 23236  
Telephone: (800) 849-9343  
Facsimile: (804) 379-2593  
Email: [info@weidmuller.com](mailto:info@weidmuller.com)  
Website: [www.weidmuller.com](http://www.weidmuller.com)

## 15 Amp

## 15 Amp Duplex

## 15 Amp GFCI



### Technical data

Voltage	120 VAC nominal, 125 VAC max.
Current	15A max.
Operating Frequency	50 - 60 Hz
Dielectric Voltage	Withstands 2000V per UL498
Trip Level	N/A
Termination Wire Size	20 - 10 AWG (solid or stranded, copper only)
Terminal Torque	0.79Nm/7 lb.-in.
Terminations	Screw terminals, slotted
<b>Temperature</b>	
Operating	-25°C to 60°C
Storage	-35°C to 80°C
<b>Material Listing</b>	
Enclosure Cover, Flammibility	PBT/polycarbonate blend, UL94 rating V0 @ .63mm
Enclosure Base, Flammibility	Polyamide 6/6 30% GF, UL94 rating V0 @ .63mm
Spring	Stainless Steel
<b>Mounting</b>	
Width	74.1mm/2.9 in.
Length	123.6mm/4.9 in.
Height	61.5mm/2.4 in.
<b>Approvals/Certifications</b>	
Enclosure Type	NEMA WD6, 5-15R

Voltage	120 VAC nominal, 125 VAC max.
Current	15A max.
Operating Frequency	50 - 60 Hz
Dielectric Voltage	Withstands 1500V per UL498
Trip Level	5mA ± 1mA
Termination Wire Size	20 - 10 AWG (solid or stranded, copper only)
Terminal Torque	0.79Nm/7 lb.-in.
Terminations	Screw terminals, slotted
<b>Temperature</b>	
Operating	-25°C to 60°C
Storage	-35°C to 80°C
<b>Material Listing</b>	
Enclosure Cover, Flammibility	PBT/polycarbonate blend, UL94 rating V0 @ .63mm
Enclosure Base, Flammibility	Polyamide 6/6 30% GF, UL94 rating V0 @ .63mm
Spring	Stainless Steel
<b>Mounting</b>	
Width	74.1mm/2.9 in.
Length	123.6mm/4.9 in.
Height	61.5mm/2.4 in.
<b>Description</b>	
	cULus Listed to UL508A and C22.2 No. 14 File E223801
	NEMA WD6, 5-15R

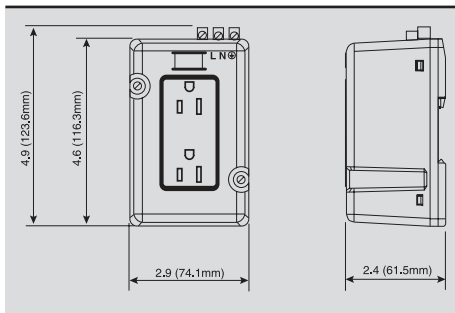
Voltage	120 VAC nominal, 125 VAC max.
Current	15A max.
Operating Frequency	50 - 60 Hz
Dielectric Voltage	Withstands 1500V per UL498
Trip Level	5mA ± 1mA
Termination Wire Size	20 - 10 AWG (solid or stranded, copper only)
Terminal Torque	0.79Nm/7 lb.-in.
Terminations	Screw terminals, slotted
<b>Temperature</b>	
Operating	-25°C to 60°C
Storage	-35°C to 80°C
<b>Material Listing</b>	
Enclosure Cover, Flammibility	PBT/polycarbonate blend, UL94 rating V0 @ .63mm
Enclosure Base, Flammibility	Polyamide 6/6 30% GF, UL94 rating V0 @ .63mm
Spring	Stainless Steel
<b>Mounting</b>	
Width	74.1mm/2.9 in.
Length	123.6mm/4.9 in.
Height	61.5mm/2.4 in.
<b>Description</b>	
	cULus Listed to UL508A and C22.2 No. 14 File E223801
	NEMA WD6, 5-15R

### Ordering data

Type	Part No.
DRAC DP 15	6720005421

Type	Part No.
DRAC DP 15	6720005421

Type	Part No.
DRAC GF 15	6720005422



## 20 Amp

## 20 Amp Duplex

## 20 Amp GFCI



### Technical data

Voltage
Current
Operating Frequency
Dielectric Voltage

120 VAC nominal, 125 VAC max.
20A max.
50 - 60 Hz
Withstands 2000V per UL498

120 VAC nominal, 125 VAC max.
20A max.
50 - 60 Hz
Withstands 1500V per UL498

Trip Level
Termination Wire Size
Terminal Torque
Terminations

N/A
20 - 10 AWG (solid or stranded, copper only)
0.79Nm/7 lb.-in.
Screw terminals, slotted

5mA ±1mA
20 - 10 AWG (solid or stranded, copper only)
0.79Nm/7 lb.-in.
Screw terminals, slotted

<b>Temperature</b>
Operating
Storage

-25°C to 60°C
-35°C to 80°C

-25°C to 60°C
-35°C to 80°C

<b>Material Listing</b>
Enclosure Cover, Flammibility
Enclosure Base, Flammibility
Spring

PBT/polycarbonate blend, UL94 rating V0 @ .63mm
Polyamide 6/6 30% GF, UL94 rating V0 @ .63mm
Stainless Steel

PBT/polycarbonate blend, UL94 rating V0 @ .63mm
Polyamide 6/6 30% GF, UL94 rating V0 @ .63mm
Stainless Steel

<b>Mounting</b>
Width
Length
Height

TS35 DIN-Rail or direct panel mount
74.1mm/2.9 in.
123.6mm/4.9 in.
61.5mm/2.4 in.

TS35 DIN-Rail or direct panel mount
74.1mm/2.9 in.
123.6mm/4.9 in.
61.5mm/2.4 in.

### Approvals/Certifications

Enclosure Type
----------------

### Description

UL cULus Listed to UL508A and C22.2 No. 14 File E223801
NEMA WD6, 5-20R

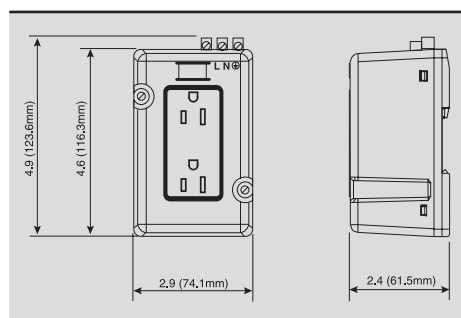
### Description

UL cULus Listed to UL508A and C22.2 No. 14 File E223801
NEMA WD6, 5-20R

### Ordering data


Type	Part No.
DRAC DP 20	6720005420

Type	Part No.
DRAC GF 20	6720005423



### Compact 15 Amp

This new DIN-rail mountable duplex receptacle makes adding a 120V maintenance AC outlet to control cabinets quick and easy. It mounts on standard 35mm DIN-rail and requires just 42mm of rail space. An LED indicates that 120V is applied to the module. The terminations accept slotted or Phillips screwdrivers. The mounting foot includes a latching lock – slide it open, mount the module on the DIN-rail and slide the lock closed.

- requires just 42mm of DIN-rail
- includes power status LED
- latching mounting foot makes installation and removal from DIN-rail easy
- CSA certified and cURus recognized

### 15 Amp Duplex w/LED



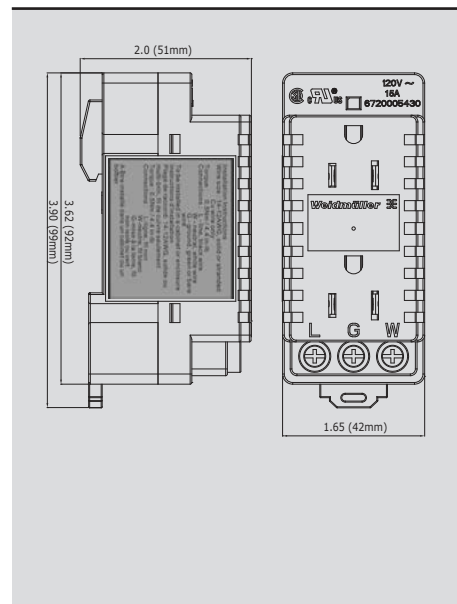
#### Technical data

Voltage	120 VAC nominal
Current	15A max.
Wire Size (AWG)	14-12 AWG (Solid or stranded, copper only)
Stripping Length mm/in.	8.8-11 / 0.347-0.433
Terminations	Screw terminals, slotted or Phillips "L":line "W":neutral "G":ground
Terminal Torque	0.5Nm/4.4 in-lb
<b>Mounting</b>	TS35 DIN-Rail
Width	42mm/1.65 in.
Length	99mm/3.90 in.
Height	51mm/2.01 in.
<b>Approvals/Certifications</b>	<b>Description</b>
	<p>CSA certified, file 25 1163, Project 2345434, according to C22.2 No. 42</p> <p>cURus recognized, file E340886, according to UL498 and C22.2 No. 182.3</p>

#### Ordering data

Type	Part No.
DUPLEX 120VAC OUTLET W/LED	6720005430

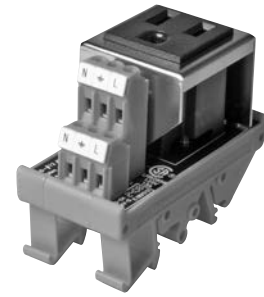
<b>Mounting</b>	TS35 DIN-Rail
Width	42mm/1.65 in.
Length	99mm/3.90 in.
Height	51mm/2.01 in.
<b>Approvals/Certifications</b>	<b>Description</b>
	<p>CSA certified, file 25 1163, Project 2345434, according to C22.2 No. 42</p> <p>cURus recognized, file E340886, according to UL498 and C22.2 No. 182.3</p>
<b>Ordering data</b>	<b>Type</b> <b>Part No.</b>
	DUPLEX 120VAC OUTLET W/LED <b>6720005430</b>



**Simplex**

**5 Amp Simplex w/ Circuit Breaker**

**15 Amp Simplex w/o Circuit Breaker**



**Technical data**

Voltage
Current
Wire Size (AWG)
Stripping Length mm/in.
Terminal Torque
<b>Mounting</b>
Width
Length
Height
<b>Approvals/Certifications</b>

120 VAC
5A max.
26 - 12 AWG (0.14 - 4.0mm <sup>2</sup> )
6mm
0.5-0.6 Nm
TS32 or TS35 DIN-Rail
35mm/1.38 in.
70mm/2.76 in.
58.5mm/2.30 in.
<b>Description</b>
UL LR-229352, UL E252394

120 VAC
15A max.
26 - 12 AWG (0.14 - 4.0mm <sup>2</sup> )
6mm
0.5-0.6 Nm
TS32 or TS35 DIN-Rail
35mm/1.38 in.
70mm/2.76 in.
58.5mm/2.30 in.
<b>Description</b>
UL LR-229352, UL E252394

**Ordering data**


Type	Part No.
Single outlet with circuit breaker (supplemental protector with manual reset via push button)	<b>9915480001</b>

Type	Part No.
Single outlet without circuit breaker	<b>9915480000</b>

