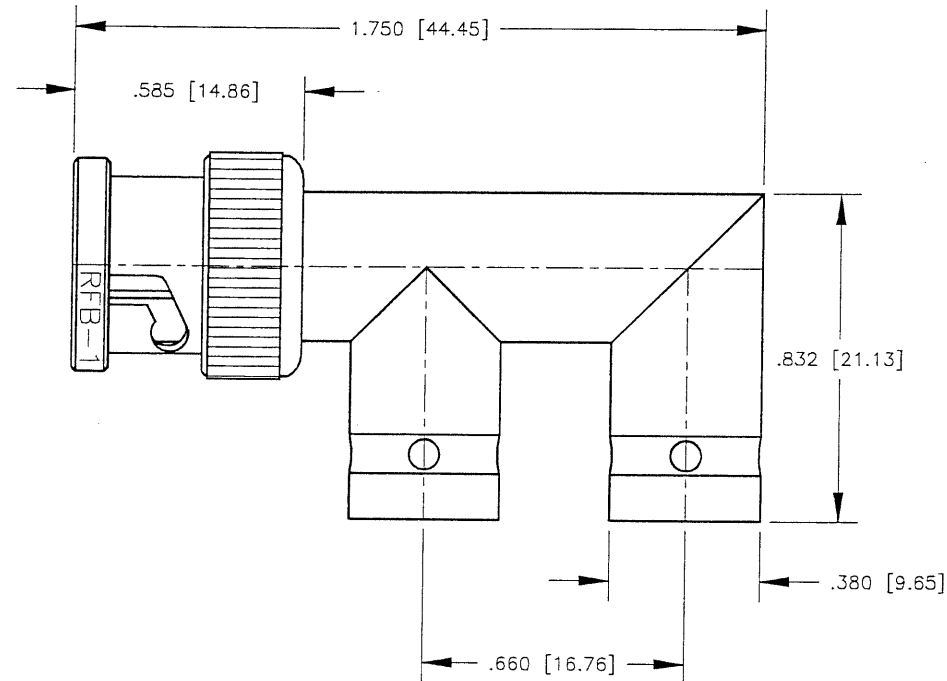


# SPECIFICATION CONTROL DRAWING

THIS DRAWING CONTAINS INFORMATION PROPRIETARY TO RF INDUSTRIES, LTD. ANY UNAUTHORIZED USE OF THIS DRAWING IS EXPRESSLY PROHIBITED. ANY VIOLATION IS PUNISHABLE UNDER U.S. COPYRIGHT LAWS.

REV	DESCRIPTION	DWN	DATE	APPROVED
A	ENGINEERING RELEASE	KMM	3/4/94	<i>CJ</i>



## SPECIFICATIONS:

MUST MAINTAIN 75 OHM IMPEDANCE  
 VOLTAGE RATING: 500 VOLTS RMS  
 FREQUENCY RANGE: 0-4 GHz

DIMENSIONS ARE IN INCHES  
 OVER MILLIMETERS.  
 UNLESS OTHERWISE NOTED  
 TOLERANCES ARE:  
 DECIMALS ANGLES

**RF connectors**  
 DIVISION OF RF INDUSTRIES, LTD.

7620 MIRAMAR RD  
 SAN DIEGO, CA 92126  
 (619)549-6340  
 (619)549-6345 FAX

## RFB-1730-3

BNC MALE TO DOUBLE BNC FEMALE "F" CONNECTOR

ITEM	DESCRIPTION	QTY	MATERIAL	FINISH	APPROVALS	DATE
6	SHELL	1	BRASS	NICKEL	DRAWN K. MAXWELL 3/4/94 CHECKED <i>C. Jones</i> 3/4/94 ISSUED H. HILL 3/4/94 ORJ DRAWN K. MAXWELL 3/4/94	3/4/94
	DIELECTRIC	2	DELRIN	NONE		
	DIELECTRIC	1	DELRIN	NONE		
	CONTACT	2	BRASS	GOLD		
	PIN	1	BRASS	GOLD		
1	BODY	1	BRASS	NICKEL		

SIZE	CABLE GROUP	DWG NO.	REV
A	N/A	E8308A	A

SCALE: 2:1      CAD FILE: ARC137\8308A      SHEET 1 OF 1