

AIS2DW12 adapter board for a standard DIL 24 socket



Features

- Complete AIS2DW12 pinout for a standard DIL 24 socket
- Fully compatible with STEVAL-MKI109V3 motherboard
- RoHS compliant
- WEEE compliant

Description

The STEVAL-MKI206V1 adapter board has been designed to facilitate the evaluation of the AIS2DW12 MEMS device allowing fast system prototyping and direct device evaluation within your own application.

The STEVAL-MKI206V1 can be plugged to a standard DIL 24 socket.

It provides the complete AIS2DW12 pinout and embeds the required decoupling capacitors on the VDD power supply line.

The adapter is supported by the STEVAL-MKI109V3 motherboard which includes a high performance 32-bit microcontroller functioning as a bridge between the sensor and a PC.

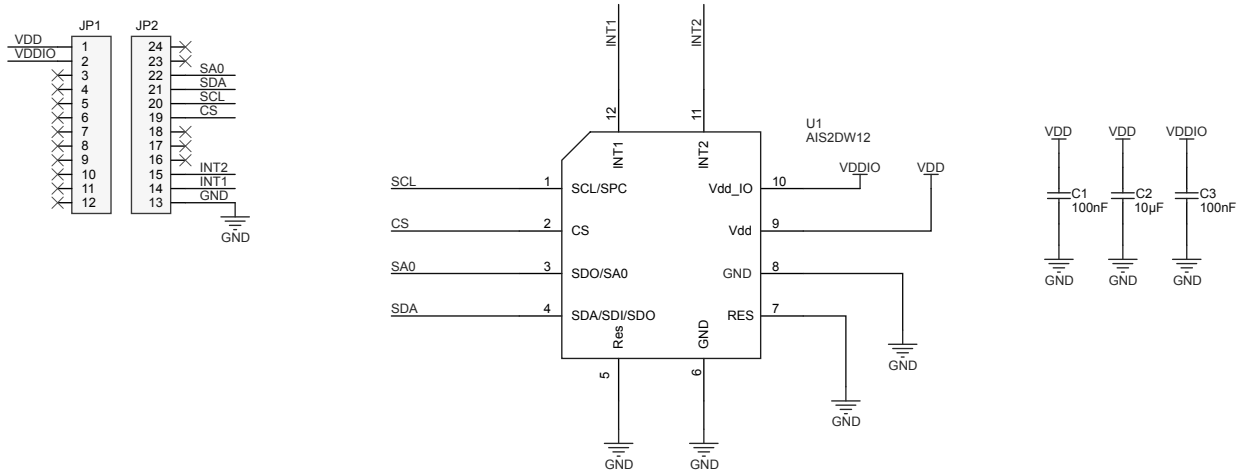
You can use the Unico GUI graphical user interface downloadable from www.st.com (STSW-MKI109L for Linux, STSW-MKI109M for Mac OSX or STSW-MKI109W for Windows) or dedicated software routines for customized applications.

Product summary

AIS2DW12 adapter board for a standard DIL 24 socket	STEVAL-MKI206V1
Ultra-low-power 3-axis accelerometer for automotive applications	AIS2DW12
ST MEMS adapter motherboard based on STM32F401VE compatible ST MEMS adapters	STEVAL-MKI109V3

1 Schematic diagrams

Figure 1. STEVAL-MKI206V1 circuit schematic



Revision history

Table 1. Document revision history

Date	Version	Changes
29-Jul-2019	1	Initial release.

IMPORTANT NOTICE – PLEASE READ CAREFULLY

STMicroelectronics NV and its subsidiaries (“ST”) reserve the right to make changes, corrections, enhancements, modifications, and improvements to ST products and/or to this document at any time without notice. Purchasers should obtain the latest relevant information on ST products before placing orders. ST products are sold pursuant to ST’s terms and conditions of sale in place at the time of order acknowledgement.

Purchasers are solely responsible for the choice, selection, and use of ST products and ST assumes no liability for application assistance or the design of Purchasers’ products.

No license, express or implied, to any intellectual property right is granted by ST herein.

Resale of ST products with provisions different from the information set forth herein shall void any warranty granted by ST for such product.

ST and the ST logo are trademarks of ST. For additional information about ST trademarks, please refer to www.st.com/trademarks. All other product or service names are the property of their respective owners.

Information in this document supersedes and replaces information previously supplied in any prior versions of this document.

© 2019 STMicroelectronics – All rights reserved