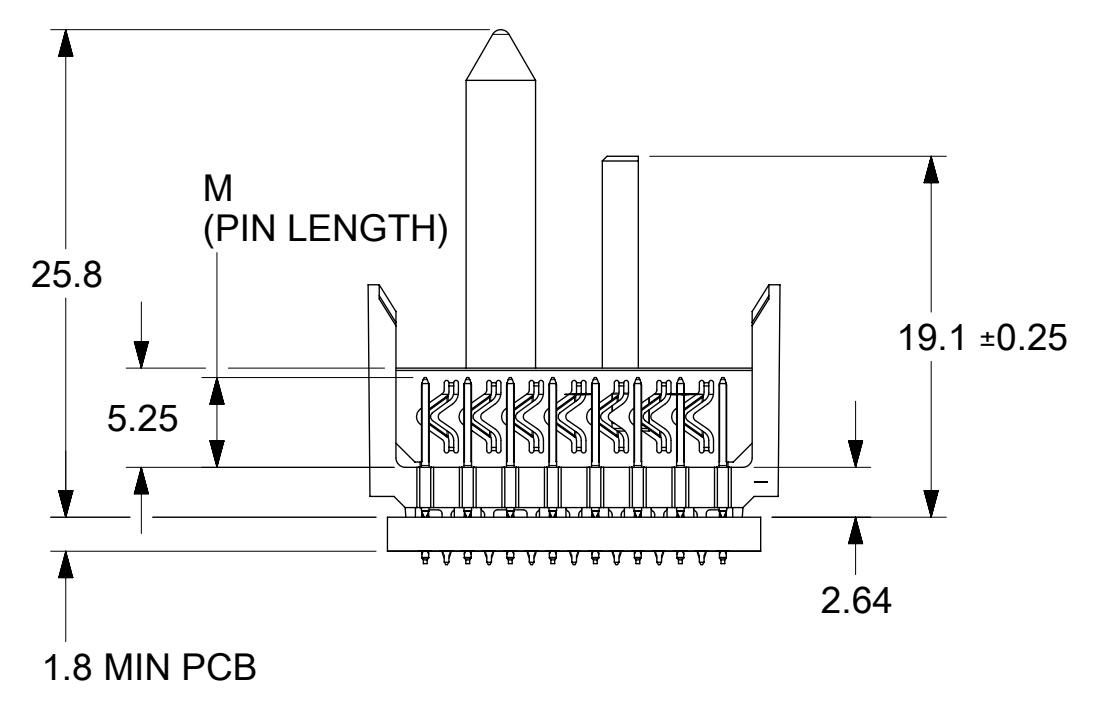
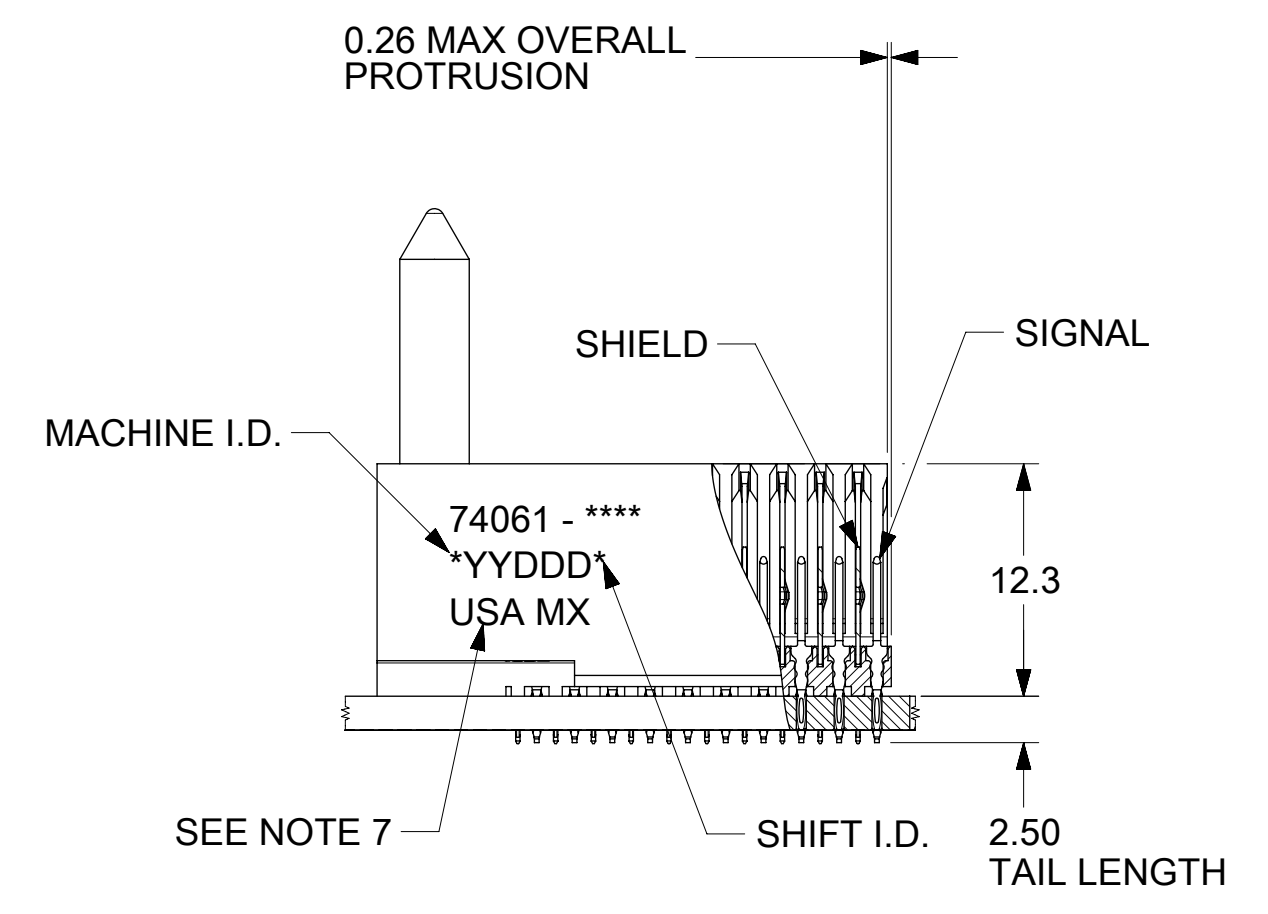


BACKPLANE HOLE PATTERN
RECOMMENDED DIMENSION



- NOTES:
1. MATERIALS:
HOUSING - LIQUID CRYSTAL POLYMER (LCP),
GLASS-FILLED, UL 94V-0, COLOR: BLACK
SIGNAL PIN & SHIELD - COPPER ALLOY
 2. FINISHES:
CONTACT AREA: SELECTIVE GOLD (Au)
PCB TAILS: SELECTIVE MATTE TIN (Sn)
NICKEL (Ni) OVERALL.
 3. THIS PART CONFORMS TO MOLEX PRODUCT SPECIFICATION PS-74031-999
 4. FOR MIXED CONTACT LENGTHS CONSULT MOLEX FOR AVAILABILITY
 5. FOR SPECIFIC MATERIAL NUMBERS & MATING INFORMATION REFER TO SHEET 2
 6. PACKAGE PER PK-74061-003
 7. MARK PART WITH PART NUMBER & DATE CODE APPROXIMATELY WHERE SHOWN
 8. MAPS (MOLEX ADVANCED PLATING SYSTEM).

THE PRIMARY CARTON WITH A LABEL STATING "ELV AND RoHS COMPLAINT" IS LEAD FREE. CARTONS WITHOUT THIS LABEL MAY CONTAIN LEAD.

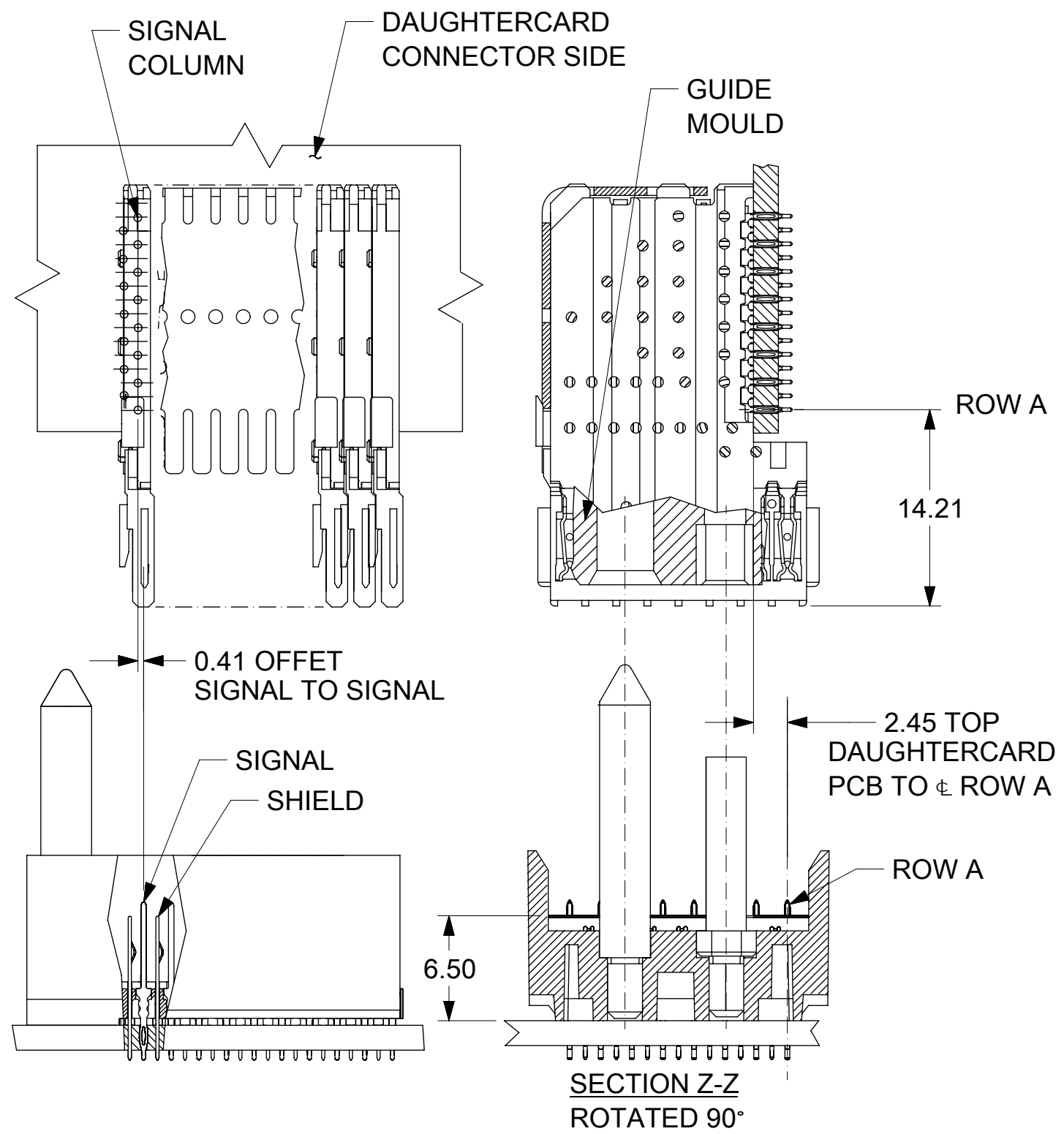
FUNCTIONAL SYMBOLS	THIS DRAWING CONTAINS INFORMATION THAT IS PROPRIETARY TO MOLEX ELECTRONIC TECHNOLOGIES, LLC AND SHOULD NOT BE USED WITHOUT WRITTEN PERMISSION		CURRENT REV DESC: SEE REVISION TABLE ON SHEET 3	
	DIMENSION UNITS	SCALE		
$\frac{F}{A} = 0$	mm	2.5:1		
$\frac{F}{C} = 0$	GENERAL TOLERANCES (UNLESS SPECIFIED)			
$\frac{F}{P} = 0$		MM	INCH	
DIVISIONAL SYMBOLS	4 PLACES	±	±	
	3 PLACES	±	±	
	2 PLACES	±	±	
	1 PLACE	±	±	
	0 PLACES	±	±	
	ANGULAR TOL	± 0.5°		
DRAFT WHERE APPLICABLE MUST REMAIN WITHIN DIMENSIONS		THIRD ANGLE PROJECTION		DRAWING SERIES
				C-SIZE 74061
DOCUMENT STATUS	P1	RELEASE DATE	2022/06/22 14:10:33	EC NO: 708673
				DRWN: SANTHN 2022/05/26
				CHK'D: GGA 2022/06/22
				APPR: GGA 2022/06/22
				INITIAL REVISION:
				DRWN: JMELTON 2010/05/19
				APPR: SMILLER 2010/07/14
DOCUMENT NUMBER		DOC TYPE	DOC PART	REVISION
SD-74061-002		PSD	001	P1
MATERIAL NUMBER		CUSTOMER		SHEET NUMBER
SEE CHART		GENERAL MARKET		1 OF 3

TABLE 3									
M/N 74061 - ()	** 0 *	** 1 *	** 2 *	** 3 *	** 4 *	** 5 *	** 6 *	** 7 *	** 8 *
KEYING PIN ORIENTATION	O	A	B	C	D	E	F	G	H

74061 - * * * *

NUMBER OF COLUMNS/PLATING
 10 = 10 COLUMN MATTE TIN (FORMERLY TIN/LEAD)
 12 = 12 COLUMN MATTE TIN (FORMERLY TIN/LEAD)
 25 = 25 COLUMN MATTE TIN (FORMERLY TIN/LEAD)
 60 = 10 COLUMN MATTE TIN (MAPS)
 62 = 12 COLUMN MATTE TIN (MAPS)
 75 = 25 COLUMN MATTE TIN (MAPS)
 90 = 10 COLUMN MATTE TIN
 92 = 12 COLUMN MATTE TIN
 85 = 25 COLUMN MATTE TIN

CONTACT LOAD
 (PIN LENGTH)
 1 & 6 = 4.75
 2 & 7 = 6.25
 3 & 8 = 4.25
 4 & 9 = 5.15



PART NUMBER	COLUMN	NUMBER OF SIGNAL PIN	NUMBER OF SHIELD	A	B	M	GOLD THICKNESS MICROMETER	TIN THICKNESS MICROMETER
74061-60*1	10	80	10	27.00	18.00	4.75	0.25 MAPS	0.76-1.52
74061-*0*1							0.76	
74061-*0*6							1.27	
74061-75*1	25	200	25	57.00	48.00	4.25	0.25 MAPS	
74061-*5*1							0.76	
74061-*5*6							1.27	
74061-60*2	10	80	10	27.00	18.00	6.25	0.25 MAPS	
74061-*0*2							0.76	
74061-*0*7							1.27	
74061-75*2	25	200	25	57.00	48.00	4.75	0.25 MAPS	
74061-*5*7							1.27	
74061-60*3							10	80
74061-*0*8	1.27							
74061-75*3	25	200	25	57.00	48.00	5.15		
74061-*5*8							1.27	
74061-60*4							10	80
74061-*0*4	0.76							
74061-*0*9	1.27							
74061-75*4	25	200	25	57.00	48.00	5.15	0.25 MAPS	
74061-*5*4							0.76	
74061-*5*9							1.27	

PART NUMBER	COLUMN	NUMBER OF SIGNAL PIN	NUMBER OF SHIELD	A	B	M	GOLD THICKNESS MICROMETER	TIN THICKNESS MICROMETER
74061-62*1	12	96	12	31.00	22.00	4.75	0.25 MAPS	0.76-1.52
74061-*2*1							0.76	
74061-*2*6							1.27	
74061-62*2	12	96	12	31.00	22.00	6.25	0.25 MAPS	
74061-*2*7							1.27	
74061-62*3							12	
74061-*2*8	1.27							
74061-62*4	12	96	12	31.00	22.00	5.15		
74061-*2*9							1.27	

FUNCTIONAL SYMBOLS
 $F_A = 0$
 $F_C = 0$
 $F_P = 0$

DIVISIONAL SYMBOLS

THIS DRAWING CONTAINS INFORMATION THAT IS PROPRIETARY TO MOLEX ELECTRONIC TECHNOLOGIES, LLC AND SHOULD NOT BE USED WITHOUT WRITTEN PERMISSION

DIMENSION UNITS: mm
 SCALE: 2.5:1
 CURRENT REV DESC: SEE REVISION TABLE ON SHEET 3

GENERAL TOLERANCES (UNLESS SPECIFIED)
 4 PLACES \pm mm
 3 PLACES \pm mm
 2 PLACES \pm mm
 1 PLACE \pm mm
 0 PLACES \pm mm

ANGULAR TOL $\pm 0.5^\circ$

DRAFT WHERE APPLICABLE MUST REMAIN WITHIN DIMENSIONS

THIRD ANGLE PROJECTION

DRAWING: C-SIZE
 SERIES: 74061

EC NO: 708673
 DRWN: SANTHN
 CHK'D: GGA
 APPR: GGA

INITIAL REVISION:
 DRWN: JMELTON
 APPR: SMILLER

2022/05/26
 2022/06/22
 2022/06/22

2010/05/19
 2010/07/14

molex

VHDM 8 ROW
 SIGNAL END BACKPLANE SALES ASSEMBLY


PRODUCT CUSTOMER DRAWING

DOCUMENT NUMBER: SD-74061-002
 DOC TYPE: PSD
 DOC PART: 001
 REVISION: P1

MATERIAL NUMBER: SEE CHART
 CUSTOMER: GENERAL MARKET
 SHEET NUMBER: 2 OF 3

H
G
F
E
D
C
B
A

DATE	REV	DESCRIPTION
2022/06/09	P1	1. DRAWING MIGRATION 2. SHEET 1: D07: DIM 5.25 CORRECTED TO 5.76 AS PER COMPONENTS 3. SHEET 1: D05: DIM 19.0 IS CHANGED TO 19.1 AND TOLERANCE ADDED ± 0.25 TO MAINTAIN HIGHER TOLERANCE THAN E- DRAWING 4. REMOVED OBSOLETE PART NUMBER AS PER PCN#509989.

FUNCTIONAL SYMBOLS	THIS DRAWING CONTAINS INFORMATION THAT IS PROPRIETARY TO MOLEX ELECTRONIC TECHNOLOGIES, LLC AND SHOULD NOT BE USED WITHOUT WRITTEN PERMISSION													
	DIMENSION UNITS	SCALE		CURRENT REV DESC: SEE REVISION TABLE ON SHEET 3										
$\frac{F}{A} = 0$	mm	1:1		EC NO: 708673 DRWN: SANTHN 2022/05/26 CHK'D: GGA 2022/06/22 APPR: GGA 2022/06/22								VHDM 8 ROW SIGNAL END BACKPLANE SALES ASSEMBLY		
$\frac{F}{C} = 0$	GENERAL TOLERANCES (UNLESS SPECIFIED)									MM				INCH
$\frac{F}{P} = 0$	4 PLACES	±	±	INITIAL REVISION: DRWN: DRAWN BY 0099/99/99 APPR: APPR BY 0099/99/99						DOCUMENT NUMBER		DOC TYPE	DOC PART	REVISION
DIVISIONAL SYMBOLS	3 PLACES	±	±							SD-74061-002		PSD	001	P1
	2 PLACES	±	±											
	1 PLACE	±	±							MATERIAL NUMBER		CUSTOMER		SHEET NUMBER
	0 PLACES	±	±	C-SIZE		GENERAL MARKET		3 OF 3						
ANGULAR TOL ± 0.5 °			DRAFT WHERE APPLICABLE MUST REMAIN WITHIN DIMENSIONS		THIRD ANGLE PROJECTION		SERIES		74061					