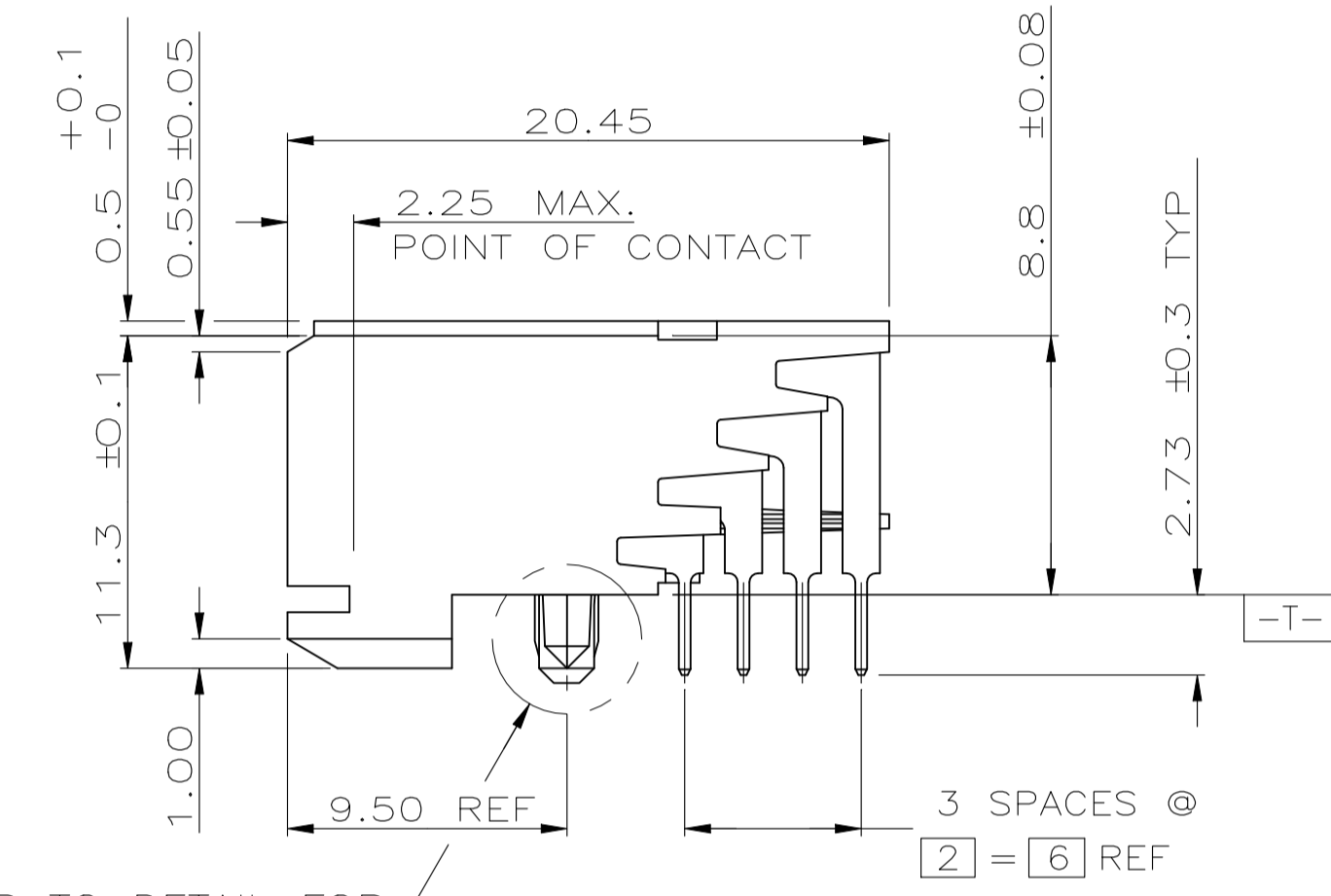
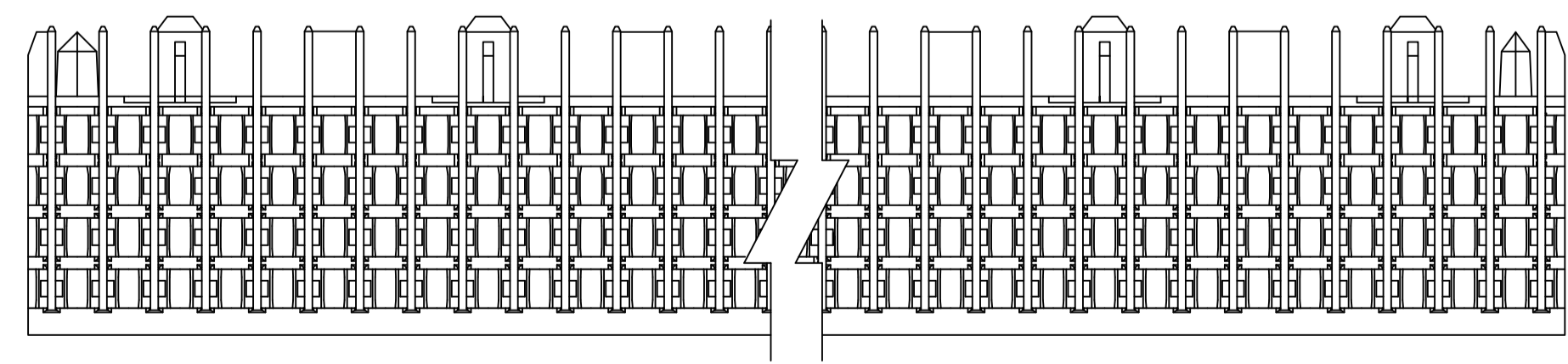
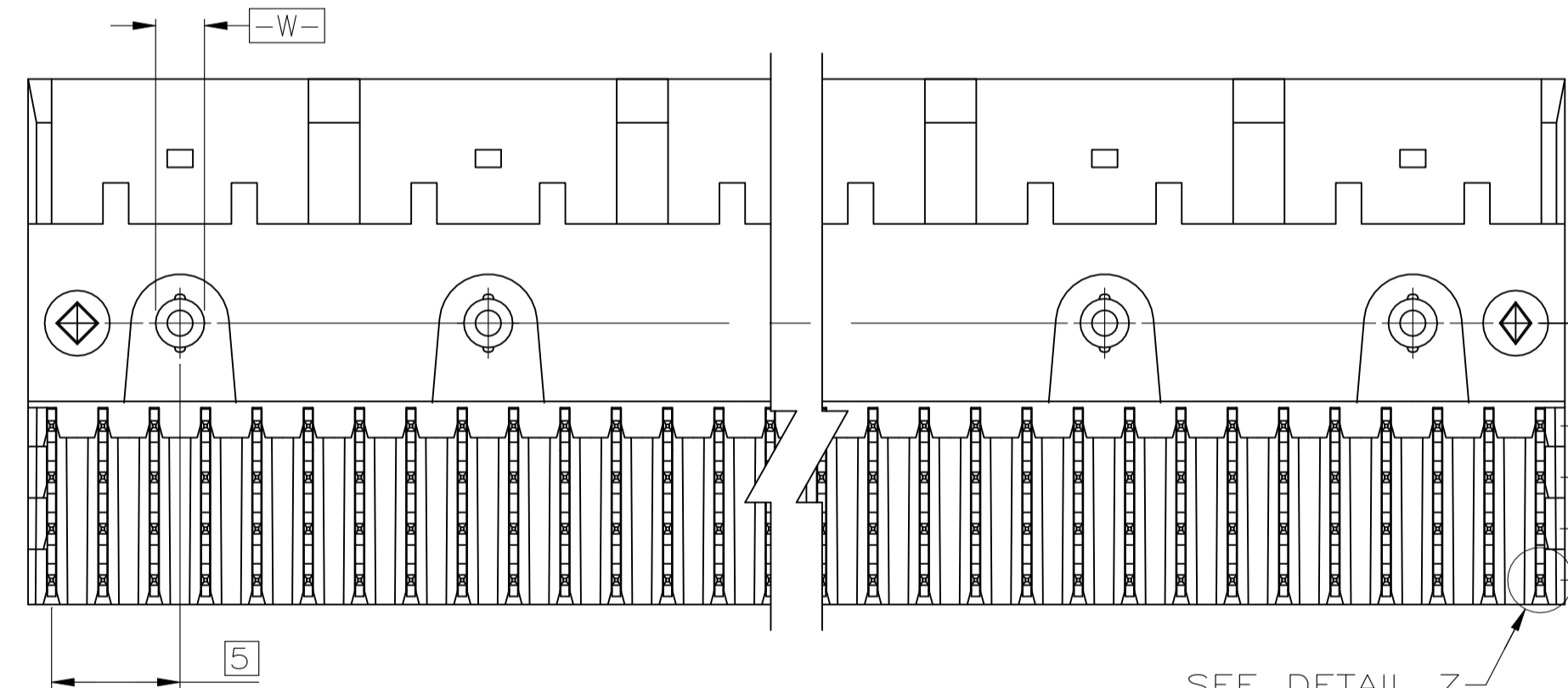
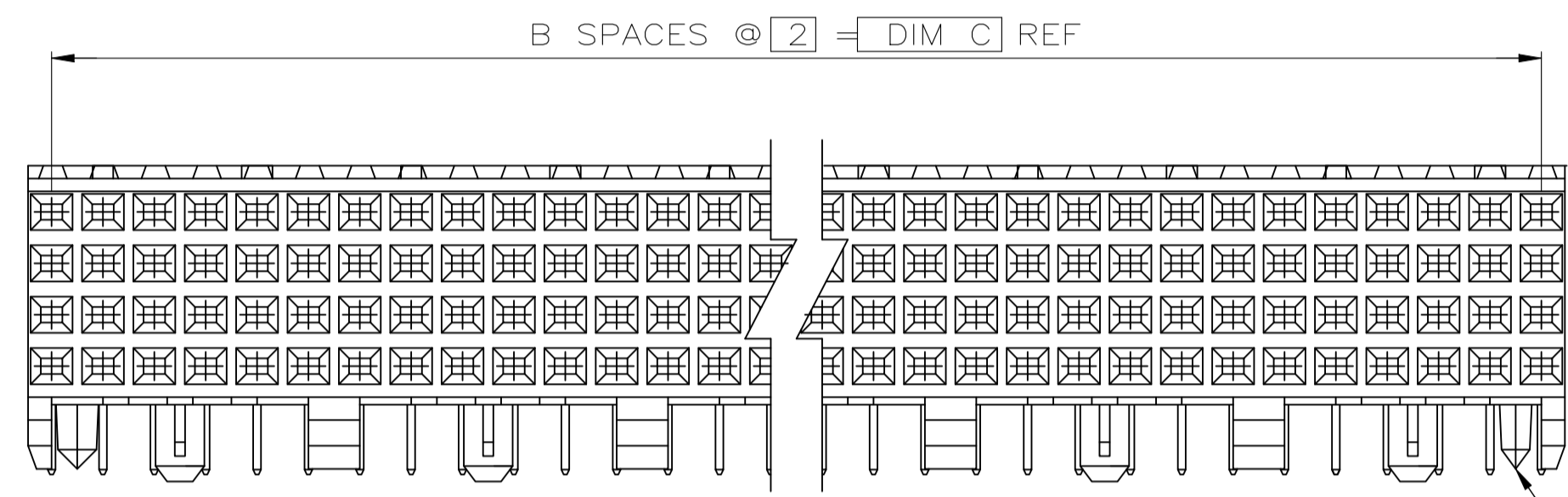
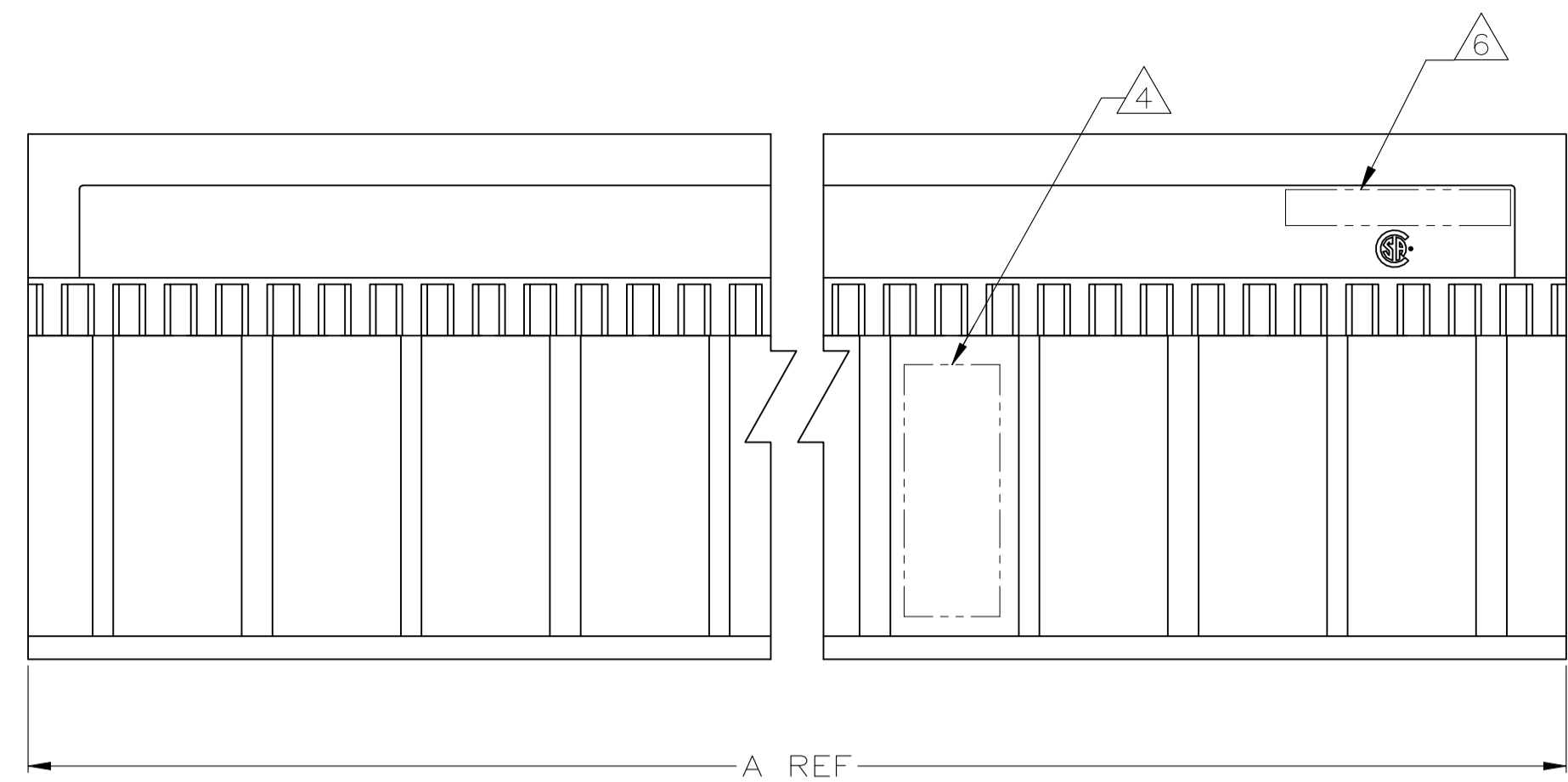
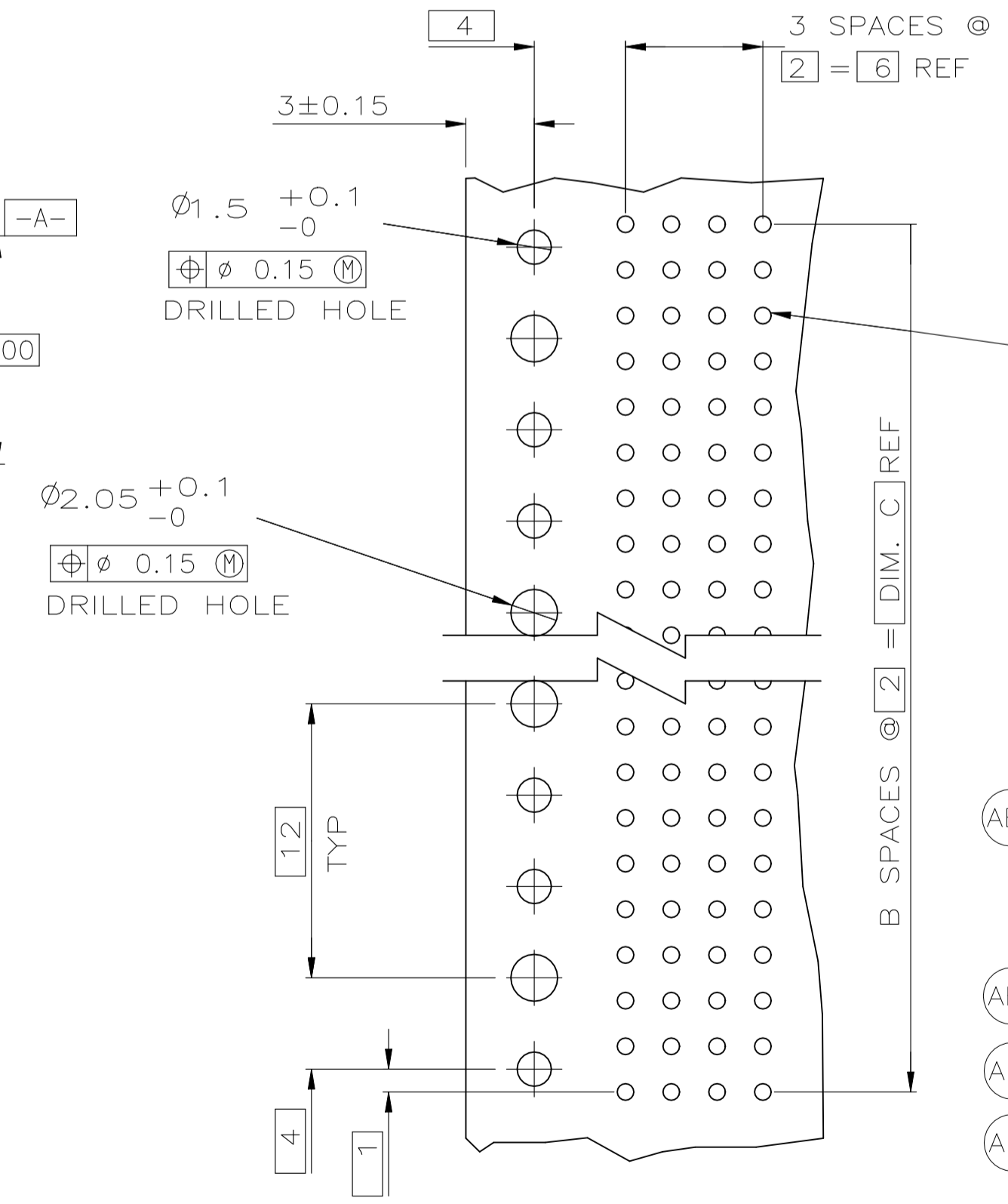


REVISIONS					
REV	DATE	BY	CHK	APPV	DESCRIPTION
AB1	31JAN2022	NV	HL		REVISED PER ECN-22-135240

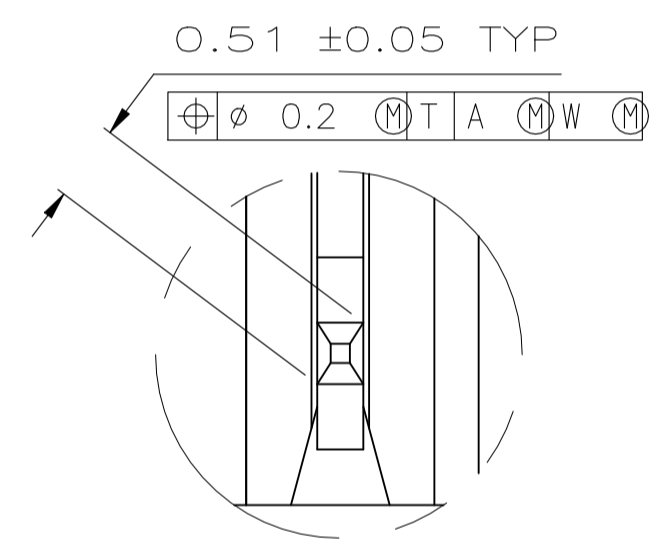


SEE TABLE
REFER TO DETAIL FOR COLD HOLD CONFIGURATION

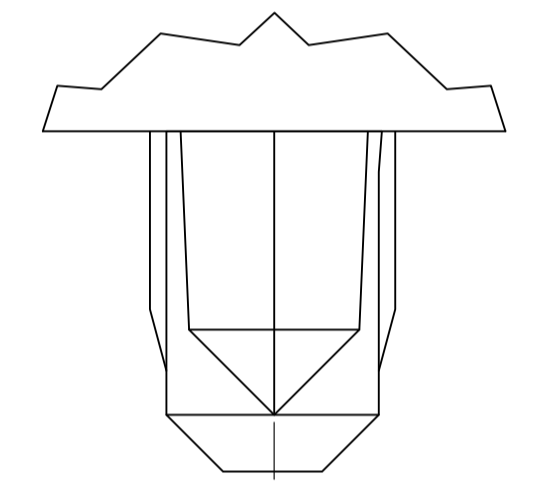


RECOMMENDED CIRCUIT PATTERN PER IPC-D300 TYPE II, CLASS C (COMPONENT SIDE)

- 1 HOUSING MATERIAL: LIQUID CRYSTAL POLYMER
COLOR: NATURAL.
- 2 CONTACT MATERIAL: PHOSPHOR-BRONZE.
- 3 CONTACT FINISH:
UNDERPLATE (ENTIRE CONTACT) -
0.00127 MIN. NICKEL
ON MATING SURFACES-
CONFORMS TO ALL TESTING SPECIFIED FOR TELCORDIA UNCONTROLLED ENVIRONMENT
ON LEADS-
0.00381 MIN. TIN-LEAD, OVER UNDERPLATE
LUBRICATION (ENTIRE CONTACT)
SURFACE CONDITIONER PER AMP SPEC. 112-1002 AFTER PLATING.
- 4 PART MARKING PER AMP INCORPORATED SPECIFICATION 115-9009, LOCATED APPROXIMATELY AS SHOWN.
- 5 OBSOLETE PARTS: OBSOLETE CIS STREAMLINING PER D.RENAUD/D.SINISI
- 6 TE OR TE CONNECTIVITY LOGO IS LOCATED.



DETAIL Z SCALE 20:1



TYPICAL COLD HOLD FOR ALL ASSEMBLIES

AB1	OBSOLETE	NO	34	17	35.88	3	72	1-536507-1
	OBSOLETE	NO	130	65	131.88	3	264	1-536507-0
	OBSOLETE	NO	106	53	107.88	3	216	536507-9
	OBSOLETE	NO	118	59	119.88	3	240	536507-8
	OBSOLETE	NO	70	35	71.88	3	144	536507-7
AB1	OBSOLETE	NO	58	29	59.88	3	120	536507-6
	OBSOLETE	NO	82	41	83.88	3	168	536507-5
AB1	OBSOLETE	NO	94	47	95.88	3	192	536507-4
	OBSOLETE	NO	46	23	47.88	3	96	536507-3
AB1	OBSOLETE	NO	22	11	23.88	3	48	536507-2
	YES	NO	10	5	11.88	3	24	536507-1

POSITIONING PEGS	C	B	A	FINISH	NO OF POSN	PART NUMBER

THIS DRAWING IS A CONTROLLED DOCUMENT.		DIN D.R.BENDER / 08/06/92	TE Connectivity
DIMENSIONS: mm		01/26/93	
TOLERANCES UNLESS OTHERWISE SPECIFIED:		APPROD D. PEOPLES 01/26/93	NAME
0 PLC ± -			RECEPTACLE ASSEMBLY, SIGNAL MODULE, Z-PACK 2mm FB, 4 ROW, 2.73mm LEAD LENGTH
1 PLC ± .13			APPLICATION SPEC
2 PLC ± .13			SIZE
3 PLC ± .13			WEIGHT
4 PLC ± .13			0.000000
ANGLES ± -			A1 00779 C=536507
			CUSTOMER DRAWING