

© 2019 TE Connectivity. All Rights Reserved.

REVISIONS

POS. PER ROW N	L	PART NUMBER
2	5.08	215307 -2
3	7.62	-3
4	10.16	-4
5	12.70	-5
6	15.24	-6
7	17.78	-7
8	20.32	-8
9	22.86	-9
10	25.40	1- -0
11	27.94	1- -1
12	30.48	1- -2
13	33.02	1- -3
14	35.56	1- -4
15	38.10	1- -5
16	40.64	1- -6
17	43.18	1- -7
18	45.72	1- -8
19	48.26	4- -9
20	50.80	2- -0
21	53.34	2- -1
22	55.88	2- -2
23	58.42	2- -3
24	60.96	2- -4
25	63.50	2- -5
26	66.04	2- -6
27	68.58	2- -7
28	71.12	2- -8
29	73.66	2- -9
30	76.2	3- -0
31	78.74	3- -1
32	81.28	3- -2
33	83.82	3- -3
34	86.36	3- -4
35	88.90	3- -5
36	91.44	3- 215307 -6

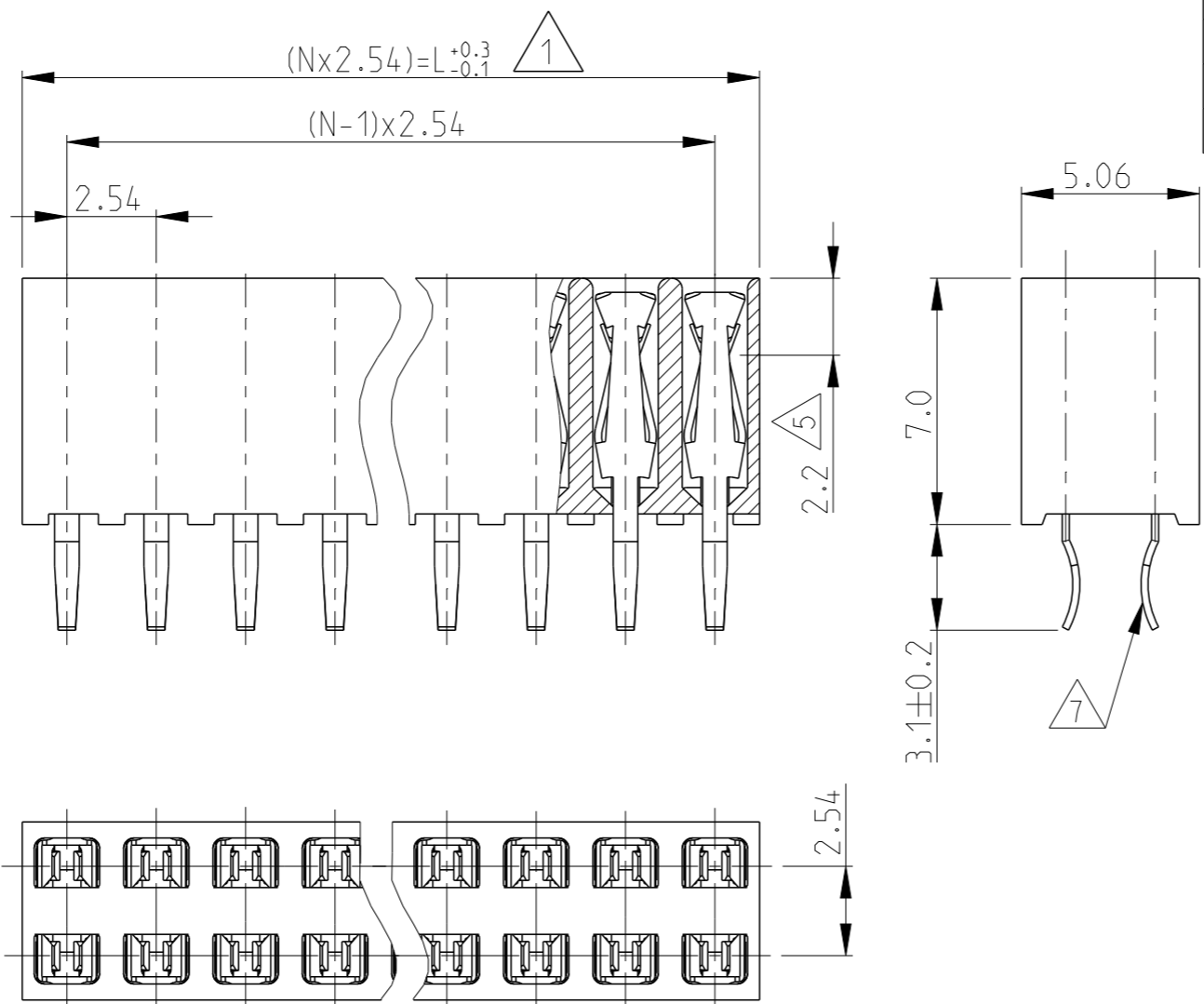
OBSOLETE

OBSOLETE

OBSOLETE

OBSOLETE

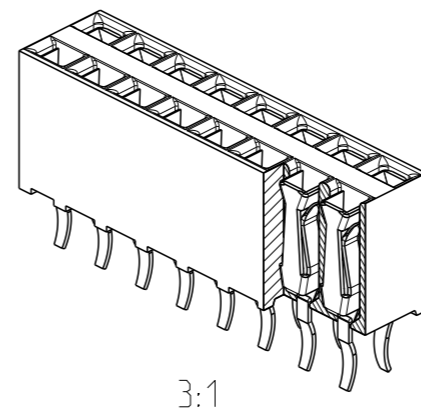
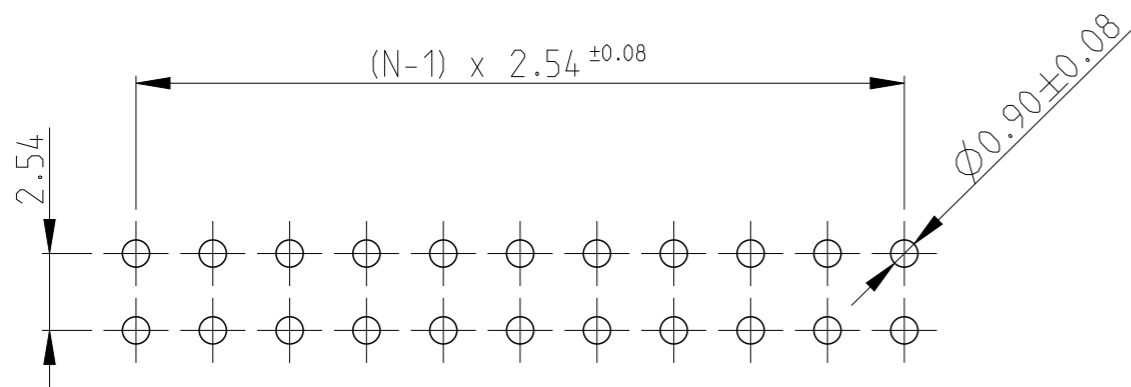
OBSOLETE



NOTES:

- $\triangle 1$ TO DETERMINE DIMENSIONS TAKE $2 \times N =$ NR. OF POS.
FOR EXAMPLE: 2x10 POS; $N \times 2.54 = 25.4$ mm
FOR ORDER NO: USE BASIC - NR. + NR. OF POS.
FOR EXAMPLE: 2x2POS. = 215307-2 (SHORTEST VERSION)
2x36POS. =3-215307-6 (LONGEST VERSION)
- $\triangle 2$ HOUSING MATERIAL: PBT BLACK GLASS FILLED, UL 94V-0
CONTACT MATERIAL: PHOSPHOR BRONZE
- $\triangle 3$ PLATING: UNDER COATING: 1,3 μ m Ni
AT CONT. PLACE: 0,8 μ m Au
AT SOLDER-TYNES: 2,5 μ m Sn
- $\triangle 4$ MATES WITH 0.63 SQUARE/ROUND MODU POSTS
- $\triangle 5$ CONTACT POINT
- $\triangle 6$ RECOMMENDED PC BOARD THICKNESS: 1.6mm
- $\triangle 7$ PC-BOARD RETENTION FEATURE
- $\triangle 8$ HV100 CONNECTOR PACKED IN ANTI-STATIC BLISTER TRAY

RECOMMENDED PCB LAYOUT



THIS DRAWING IS A CONTROLLED DOCUMENT.		DWN R.VISSER 08MAY1987			
DIMENSIONS: mm		CHK W.SIMONS			
TOLERANCES UNLESS OTHERWISE SPECIFIED: ± 0.15		APVD L.v.SQEST	NAME HV100 CONNECTOR VERTICAL, 7.0mm TOP ENTRY, DUAL ROW, GOLD		
0 PLC \pm		PRODUCT SPEC 108-19056	SIZE A3	CAGE CODE 00779	DRAWING NO C=215307
1 PLC \pm		APPLICATION SPEC -	RESTRICTED TO		
2 PLC \pm		WEIGHT -	SCALE 5:1 SHEET 1 OF 1 REV G		
3 PLC \pm		CUSTOMER DRAWING			
4 PLC \pm					
ANGLES \pm					
FINISH $\triangle 3$					