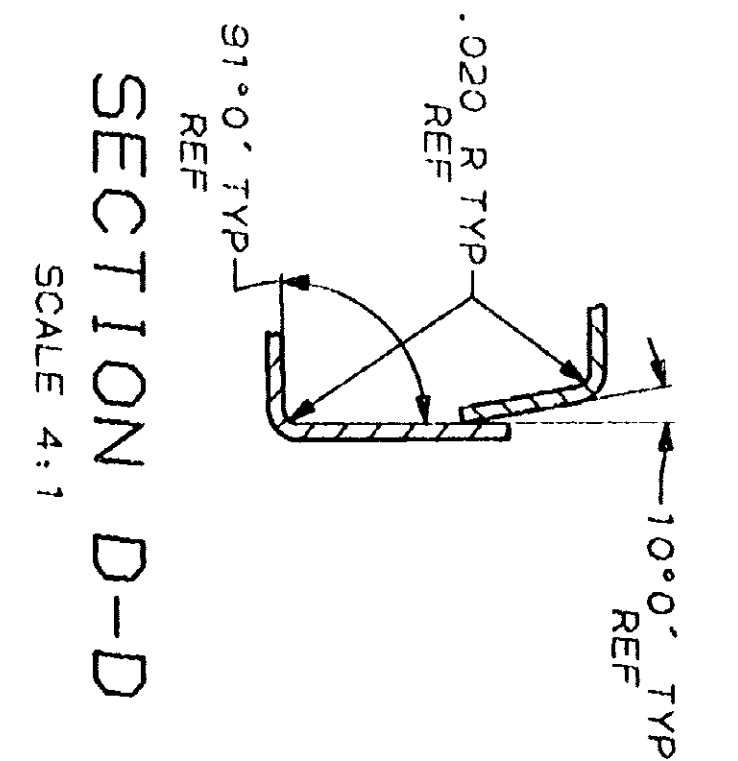
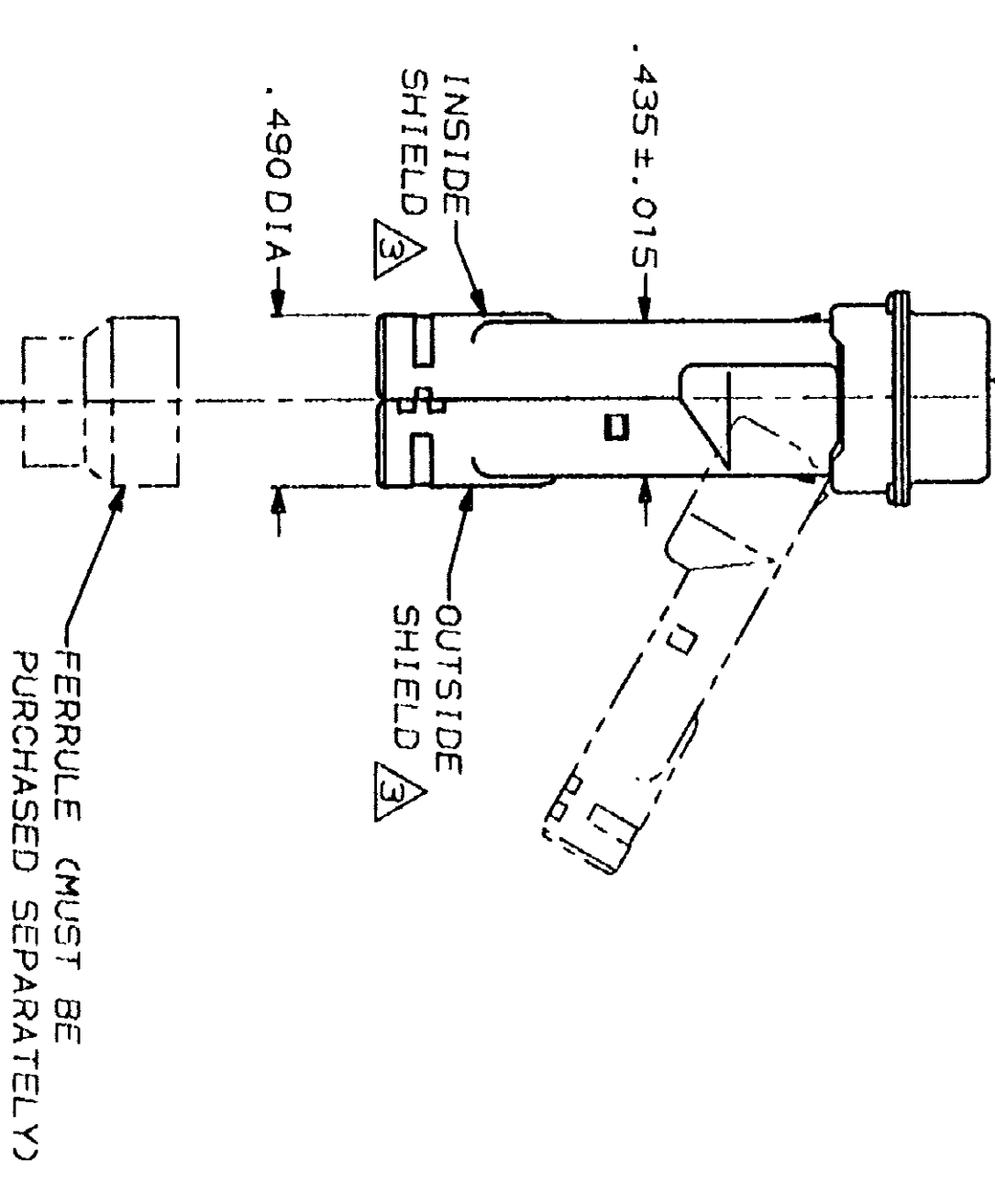
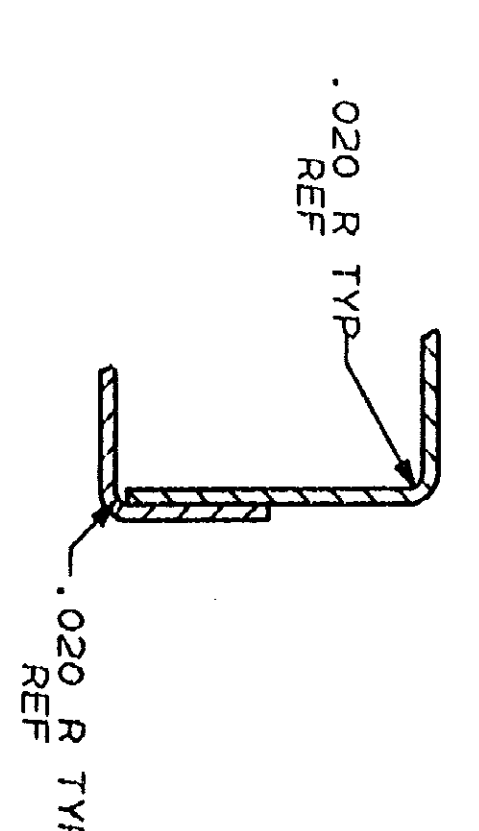


PLUG CONNECTOR
 INSERTS: BLACK GLASS-FILLED NYLON, 94V-0 RATED.
 SHELLS: STEEL PER ASTM A109, BRIGHT TIN PLATED PER MIL-T-10727.



SECTION D-D
 SCALE 4:1



SECTION E-E
 SCALE 4:1

- 1. PLUG ACCEPTS SIZE 20 PIN CONTACTS (CONTACTS MUST BE ORDERED SEPARATELY).
- 2. ALL PARTS SHIPPED UNASSEMBLED, EACH PART INDIVIDUALLY BULK PACKED.
- 3. SHIELDS: MATERIAL-.020 THICK STEEL, TIN PLATED PER MIL-T-10727.
- 4. RAISED CAVITY IDENTIFICATION AND AMP TRADEMARK.
- 5. SEE RESTRICTED CUSTOMER DRAWING 747577-2.

REV	DATE	APP'D	DESCRIPTION
2	8-1-80		REV PER EGN 804294
1	8-21-80		REV PER EGN 804294
0	8-21-80		REV PER EGN 804294

DR 6-1-80	J GALLUCI 88	AMP INCORPORATED	747577-1
CHK 8-31-80	J MCCLINTON	Northborough, Pa. 17106	
APP'D 9-4-80	908 TAYLOR		
APP'D 9-4-80	J JASSINI		
PRODUCT SPEC			

DO NOT SCALE PRINT.	UNLESS SPECIFIED DIMENSIONS IN MILLIMETERS	TOLERANCES ON .1	3 PL. DEC ± .005	ANGLES ± 0° 30'	MATERIAL
SEE CALL OUT	SEE CALL OUT				

FINISH	APPLICATION SPEC	SIZE	FSOM NO	DRAWING NO
SEE CALL OUT		D	00779	747577
WEIGHT	SCALE	2:1		