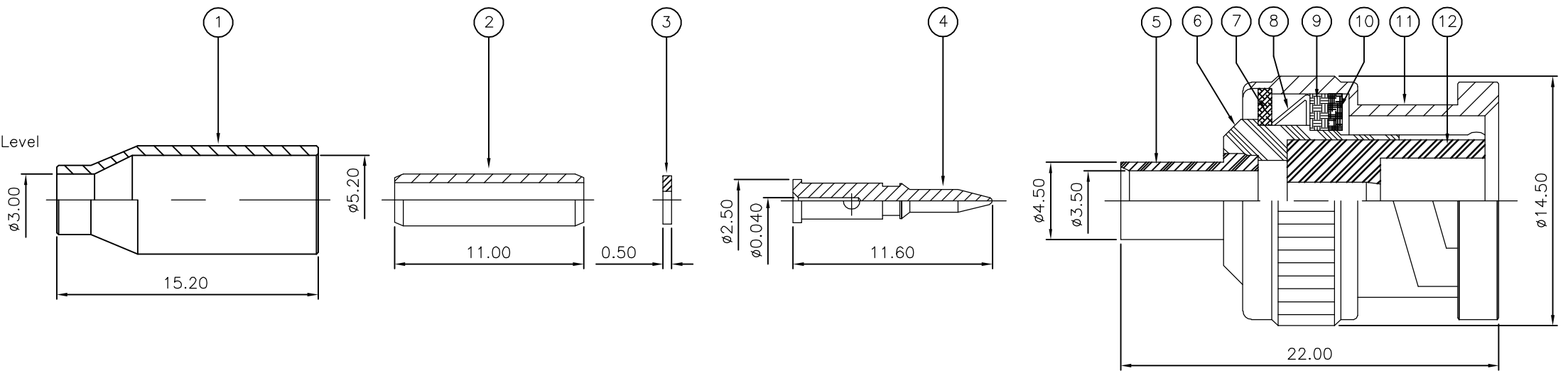


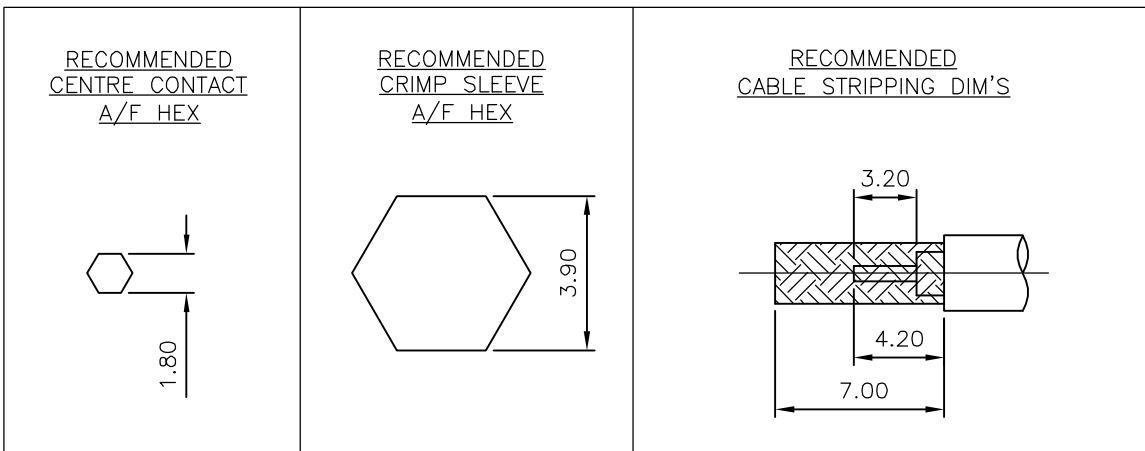
THIS DRAWING IS UNPUBLISHED. RELEASED FOR PUBLICATION JUNE ,2006.
 © COPYRIGHT 2006 BY TYCO ELECTRONICS CORPORATION. ALL RIGHTS RESERVED.

LOC	DIST	REVISIONS					
E	B	P	LTR	DESCRIPTION	DATE	DWN	APVD
		B		ECR-06-015596	28JUN06	JMS	FWK

- NOTES:
- 1 PACK IN ACCORDANCE WITH AMP SPEC 107-3275
 - 2 100 TRAY PACK IN ACCORDANCE WITH AMP SPEC 107-3275
 - 3 Au PLATING
 - 4 Ni PLATING
 - 5 THIS ITEM MUST BE WHITE
 - 6 HAND TOOL : 9-1478240-0
 - 7 DIE SET : 9-1478245-0
 - 8 ELECTRICAL CHARACTERISTICS
 FREQUENCY RANGE: DC - 4 GHz
 NOMINAL IMPEDANCE: 50 Ohm
 INSULATION RESISTANCE: 5000 MOhm
 WORKING VOLTAGE: 500 Volts RMS at Sea Level
 DIELECTRIC WITHSTAND VOLTAGE: 1500 Volts RMS Max
 CONTACT RESISTANCE:
 CENTRE CONTACT: 1.50 mOhm Max
 OUTER CONTACT: 0.20 mOhm Max
 VSWR @ 4GHz: 1.30:1 Max
 INSERTION LOSS dB @ x 3 GHz: 0.20 Max
 - 9 MECHANICAL CHARACTERISTICS
 COUPLING NUT RETENTION FORCE: 445N Min
 CABLE RETENTION FORCE: 85N Min
 DURABILITY: 500 Cycles Min
 - 10 ENVIRONMENTAL CHARACTERISTICS
 OPERATING TEMPERATURE: -65 to +165 DegC
 - 11 FOR TECHNICAL DATA REFER TO YOUR LOCAL TYCO ELECTRONICS SALES OFFICE
 - 12 ALL DIMENSIONS ARE NOMINAL FOR REFERENCE ONLY UNLESS OTHERWISE STATED



QTY	QTY	MATERIAL	DESCRIPTION	ITEM
1	1	PTFE	INSULATION	12
1	1	BRASS	4 SHELL	11
1	1	SILICONE RUBBER	5 GASKET	10
1	1	BRASS	4 RETAINING RING	9
1	1	SPRING STEEL	4 SPRING	8
1	1	BRASS	4 WASHER	7
1	1	BRASS	4 BODY	6
1	1	BRASS	4 CHASSIS	5
1	1	BRASS	3 CONTACT	4
1	1	PTFE	INSULATION	3
1	1	BRASS	4 PUSHER SLEEVE	2
1	1	BRASS	3 FERRULE	1
6--0	1--0	MATERIAL	DESCRIPTION	ITEM



THIS DRAWING IS A CONTROLLED DOCUMENT.

DWN	J.SANDWELL	28JUN06	Tyco Electronics Corporation Bideford EX39 4HE
CHK	S.PARLOW	28JUN06	
APVD	F.WHEELER-KING	28JUN06	
PRODUCT SPEC			
APPLICATION SPEC	411-3247		NAME
WEIGHT	-		SIZE
CUSTOMER DRAWING	SCALE NTS		CAGE CODE
	SHEET 1 OF 1		DRAWING NO
	REV B		RESTRICTED TO

NAME: BNC STRAIGHT PLUG CRIMP 50 OHM
 RG178B/U, 196A/U, URM110, KX21A

SIZE: A3 CAGE CODE: 00779 DRAWING NO: C-1478110