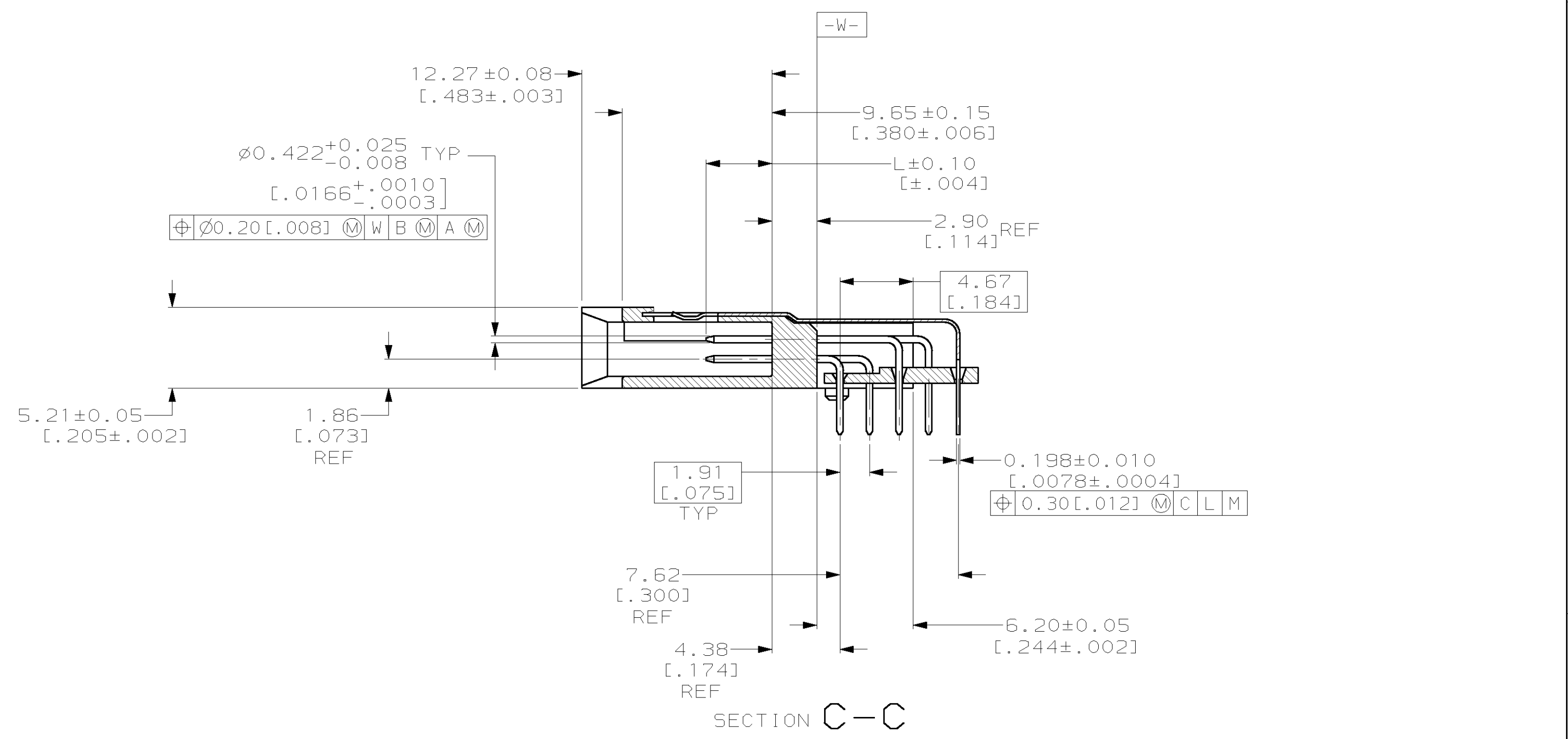
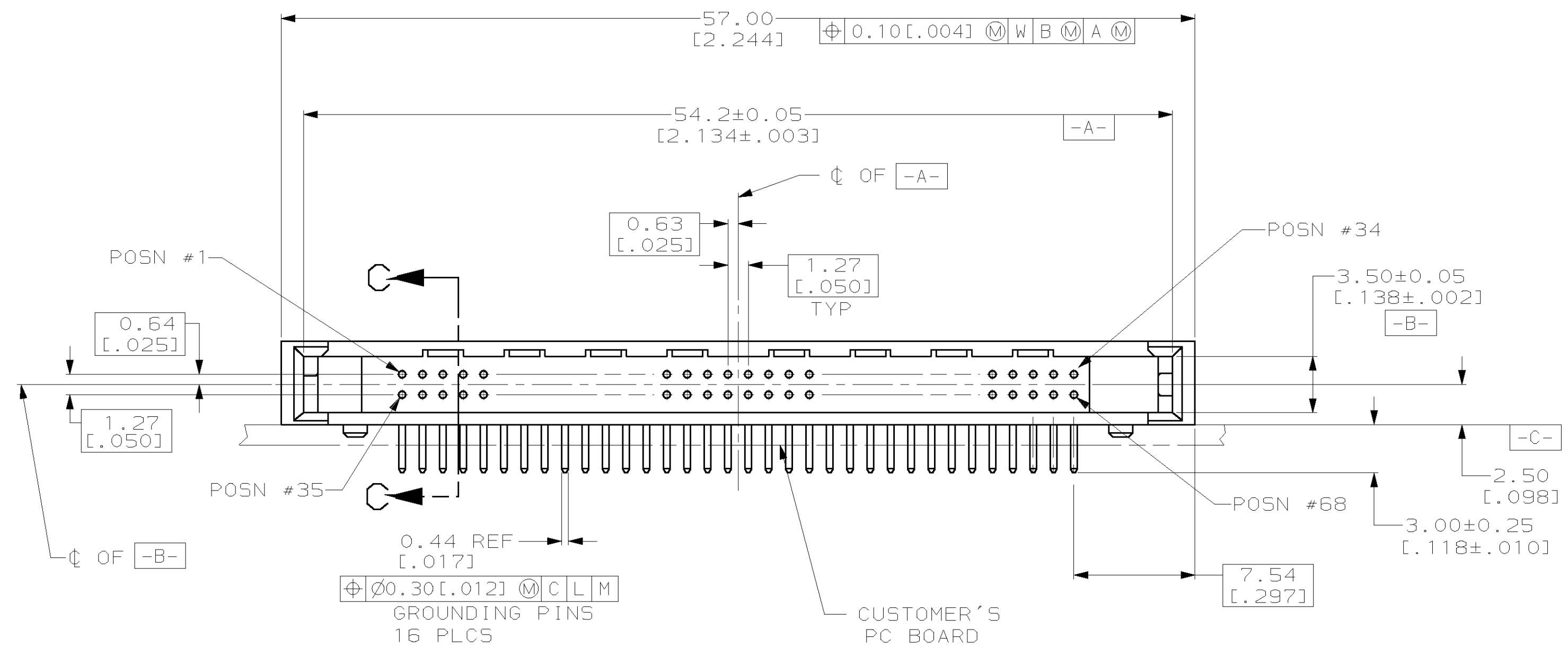
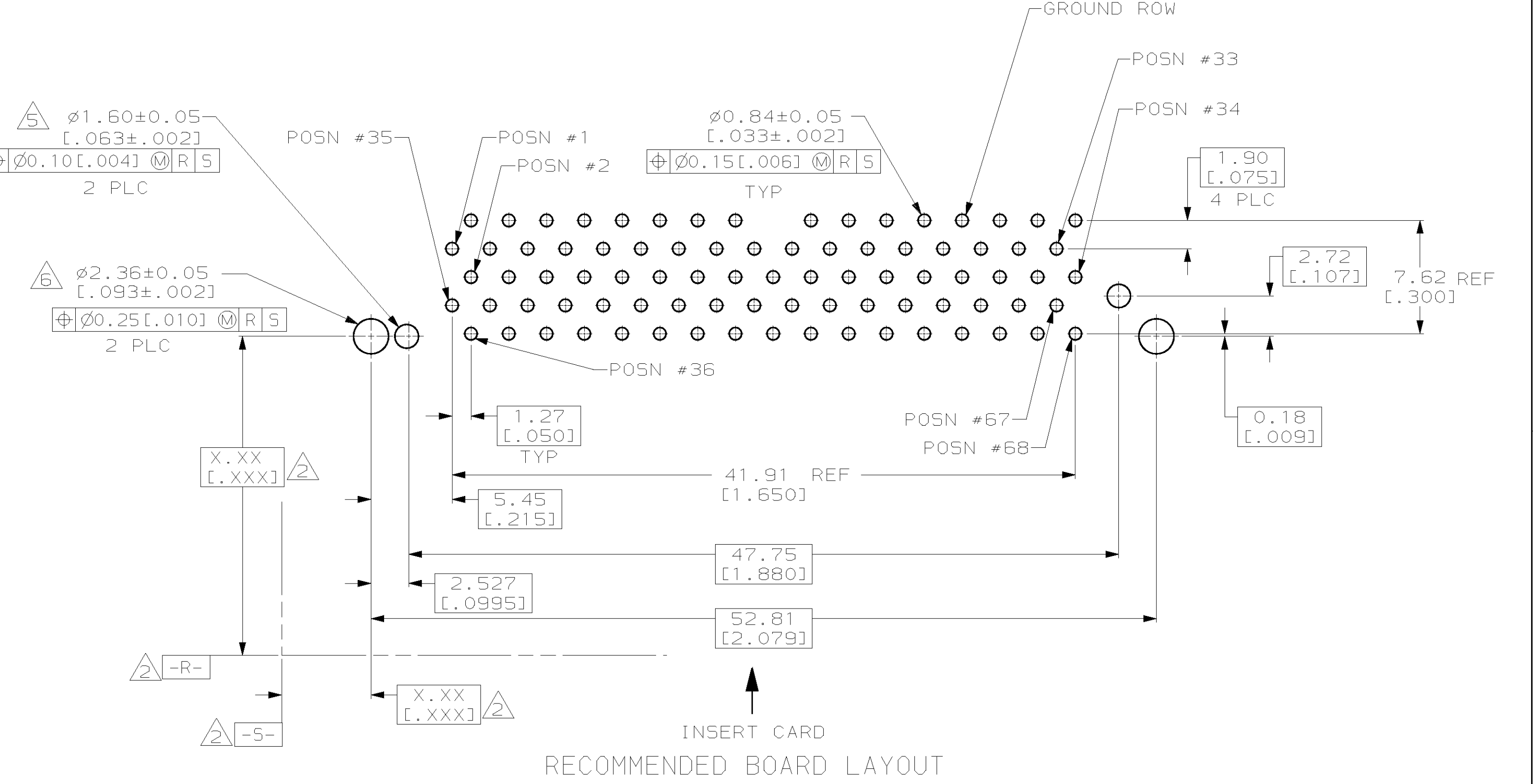
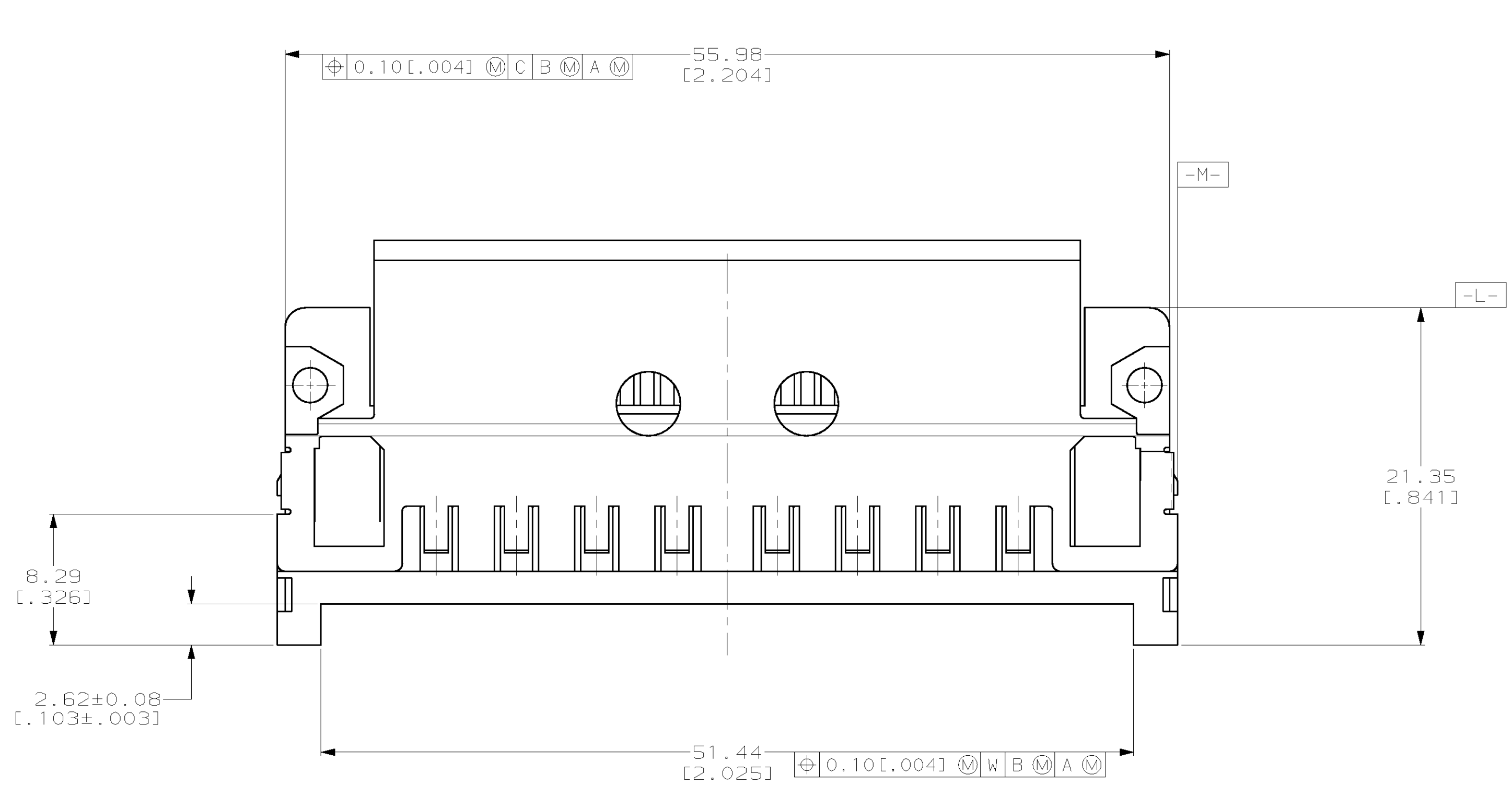


REVISONS		DATE	OWN	APVD
0	RELEASED, WA5 96-1129-26	2/20/97	JR	VR
B	REV PER EC 0651-0258-98	12/09/98	MM	MP



- ⚠ 0.00076 [0.00030] MINIMUM GOLD IN CONTACT AREA, 0.00381 [0.00150] MIN TIN-LEAD ON SOLDER TAILS, ALL OVER 0.00127 [0.00050] MINIMUM NICKEL
- ⚠ DATUMS AND BASIC DIMENSIONS ESTABLISHED BY CUSTOMER
- 3 CONNECTOR REQUIRES USE OF 2 - SIZE 2M SCREWS FOR FASTENING TO PRINTED CIRCUIT BOARD
- ⚠ ASSEMBLY KEYED FOR LOW VOLT CARDS (3.3V)
- ⚠ USE 1.6MM DRILL.
- ⚠ USE 2.35MM DRILL.

VOLTAGE KEYING & IDENTIFICATION	1, 17, 34 35, 51, 68	ALL OTHER PINS	36, 67	146767-1
	5.0 [0.197]	4.25 [0.167]	3.5 [0.138]	PART NUMBER
"L" (PIN LENGTH) AND LOCATION				
DIMENSIONS (mm (INCHES))		TOLERANCES UNLESS OTHERWISE SPECIFIED		AMP AMP Incorporated Harrisburg, PA 17105-3608
DIMENSIONS (mm (INCHES)) DIMENSIONS (mm (INCHES))		TOLERANCES UNLESS OTHERWISE SPECIFIED DIMENSIONS (mm (INCHES))		
MATERIAL		FINISH		AMP Incorporated Harrisburg, PA 17105-3608 PIN HEADER, LOW PROFILE, 68 POSN, TOP BOARD, THRU-HOLE PC CARDBUS
HOUSING: LCP		FINISH		
CONTACT: BRASS		FINISH		SIZE: A1 CAGE CODE: 00779 DRAWING NO: C=146767
SHIELD: PHOSPHOR BRONZE		FINISH		SCALE: 4:1 SHEET: 1 OF 1 REV: B