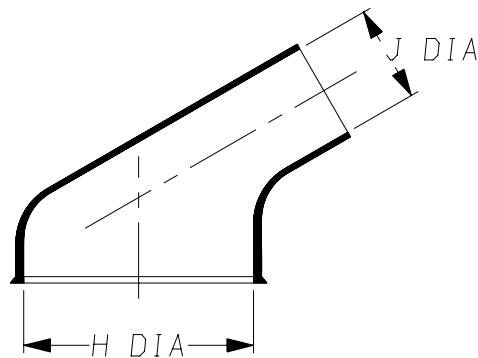
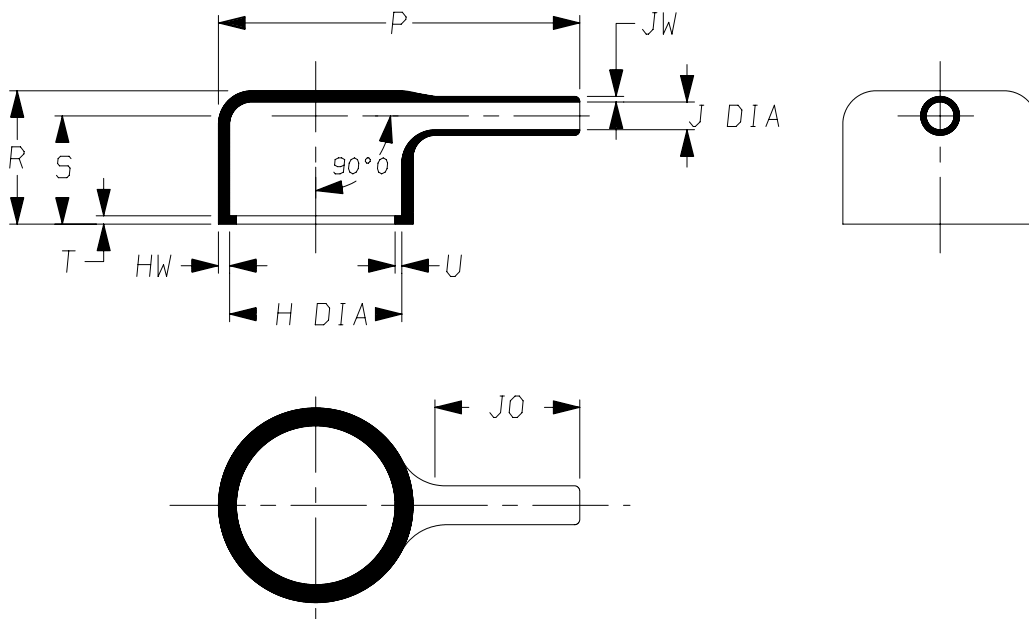


a) Part as supplied

224W073



b) Part after unrestricted recovery



DIMENSIONS in millimetres
(in inches, for reference)

Part No.	H		J		P	R	S	T	U	JO	HW	JW
	Min	Max	Min	Max	±10%	±10%	±10%	±10%	±10%	±10%	±20%	±20%
	a	b	a	b	b	b	b	b	b	b	b	b
224W073	45 (1.77)	33.1 (1.30)	15 (0.59)	5.4 (0.21)	65 (2.56)	24 (0.94)	20 (0.79)	1.5 (0.06)	1.2 (0.05)	25 (0.98)	2.0 (0.08)	1.0 (0.04)

Copyright (!)

The copyright in this drawing is the property of Tyco Electronics UK Ltd. The drawing is issued on the condition that it is not copied, reproduced or disclosed to a third party, either in whole or in part without the prior written consent of Tyco Electronics UK Ltd.

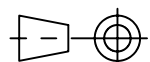
Drawn A.LILLEY. Checked Issue 3 Date November 2006 Conforms to ISO Recommendations

Approval Design

MKTG.

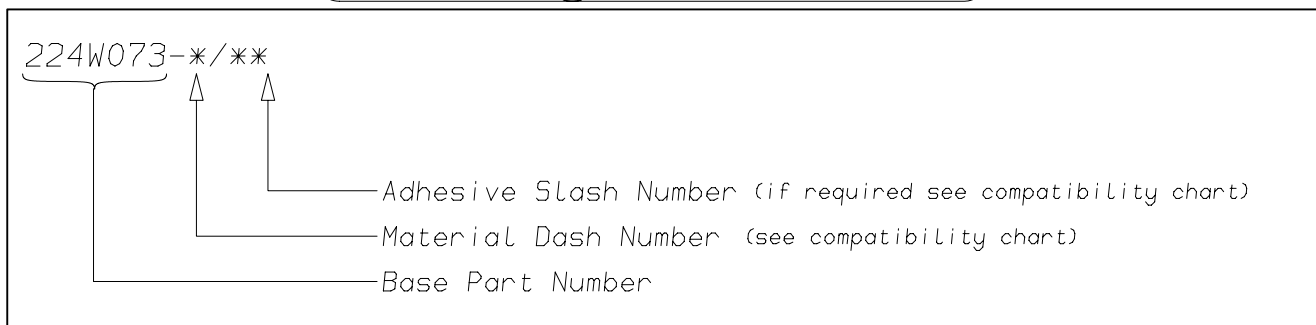
Q.A.

3rd Angle Projection
Not to Scale



Raychem		Specification Control Drawing	Part Number 224W073 Issue 3
Iss.	Date	E.C.R. No.	Details of Change
B	July 1980	****	Drawing # was P10092/SCD
1	October 1980	****	SCD issued
2	November 1982	3065	Lip added, material was only -6
3	November 2006	CR06-HM-016	Hb was 32.0, Jb was 5.0

(Ordering Information)



(COMPATIBILITY CHART)

Material Dash Number	Material Description	SPEC Number	Coating Slash Number
-3	POLYOLEFIN, SEMI-RIGID	RT-301, RK-6703	/42, /86, /180
-4	POLYOLEFIN, FLEXIBLE	RT-1304 RT-1050	/42, /86, /180
-6	SILICON	RT-602, RK-6706	N/A
-25	ELASTOMER, FLUID RESISTANT	RT-1325, RK-6713	/42, /86, /225
-130	POLYOLEFIN, COMMERCIAL FLEXIBLE	RW-2008	
			/42

NOTES

- ① As supplied dimensions are for uncoated parts, when coating is added entry diameters will reduce by 1.5mm Max.

Tyco Electronics UK Ltd. Faraday Road, Swindon, Wiltshire, SN3 5HH England Telephone: (01793) 528171 Fax: 572516	Tyco Electronics Corporation 300, Constitution Drive, Menlo Park, CA 94025 USA Telephone (650) 361-3860 Fax: (650) 361-5579
Cage Code K1010	Cage Code 06090