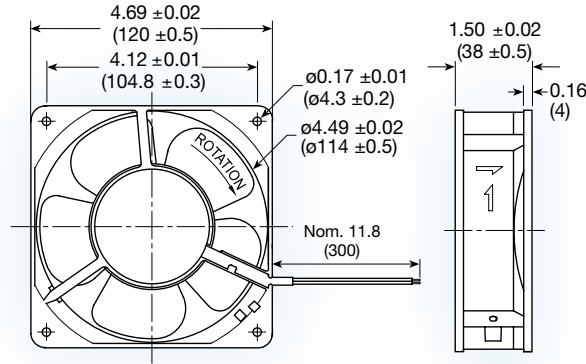
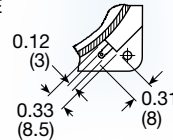


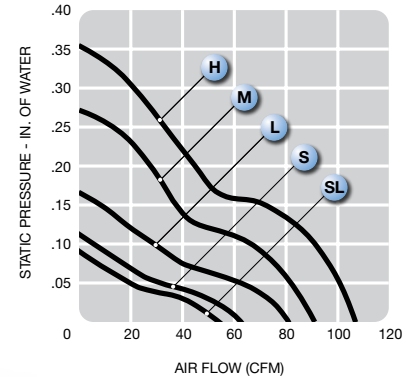
UF12A series



LEAD WIRE TYPE



TERMINAL TYPE



(120 x 120 x 38 mm)
4.69 x 4.69 x 1.5 inches

Operating voltage: 115 or 230 VAC

| | |
|-----------------|--|
| Construction: | aluminum die cast frame; UL94V-0 PBT impeller |
| Bearing option: | ball bearing or sintered bronze sleeve |
| Motor: | shaded pole |
| Air Flow: | exhaust over struts |
| Connection: | terminal or 22 AWG lead wire |
| Protection: | impedance |
| Option: | dual voltage 115/230VAC; IP55; IP55 + salt fog, tachometer output |

| Model No. | Rated Voltage V | Freq. HZ | Input Power W | Rated Cur. A | Locked Cur. A | Speed RPM | Air Volume | | Max. Static Pressure (H ₂ O) | | Sound Noise dB(A) | Weight kg |
|--------------|--------------------|-------------|------------------|-----------------|------------------|--------------|----------------------|-----|---|------|----------------------|--------------|
| | | | | | | | M ³ /Min. | CFM | MM | INCH | | |
| UF12A12-__H | 115 | 60 | 12 | 0.16 | 0.23 | 3,100 | 3.0 | 106 | 8.7 | 0.35 | 46 | 0.53 |
| UF12A23-__H | 230 | 60 | 15 | 0.08 | 0.12 | 3,100 | 3.0 | 106 | 8.7 | 0.35 | 46 | 0.53 |
| UF12A12-__M | 115 | 60 | 12 | 0.17 | 0.19 | 2,750 | 2.6 | 92 | 7.0 | 0.28 | 42 | 0.53 |
| UF12A23-__M | 230 | 60 | 15 | 0.08 | 0.09 | 2,750 | 2.6 | 92 | 7.0 | 0.28 | 42 | 0.53 |
| UF12A12-__L | 115 | 60 | 12 | 0.15 | 0.16 | 2,300 | 2.3 | 81 | 4.0 | 0.16 | 38 | 0.53 |
| UF12A23-__L | 230 | 60 | 15 | 0.07 | 0.08 | 2,300 | 2.3 | 81 | 4.0 | 0.16 | 38 | 0.53 |
| UF12A12-__S | 115 | 60 | 8 | 0.08 | 0.09 | 2,100 | 1.8 | 64 | 2.8 | 0.11 | 37 | 0.53 |
| UF12A23-__S | 230 | 60 | 8 | 0.04 | 0.05 | 2,100 | 1.8 | 64 | 2.8 | 0.11 | 37 | 0.53 |
| UF12A12-__SL | 115 | 60 | 6 | 0.06 | 0.07 | 1,800 | 1.6 | 57 | 2.3 | 0.09 | 36 | 0.53 |
| UF12A23-__SL | 230 | 60 | 6 | 0.03 | 0.04 | 1,800 | 1.6 | 57 | 2.3 | 0.09 | 36 | 0.53 |

