

6

5

4

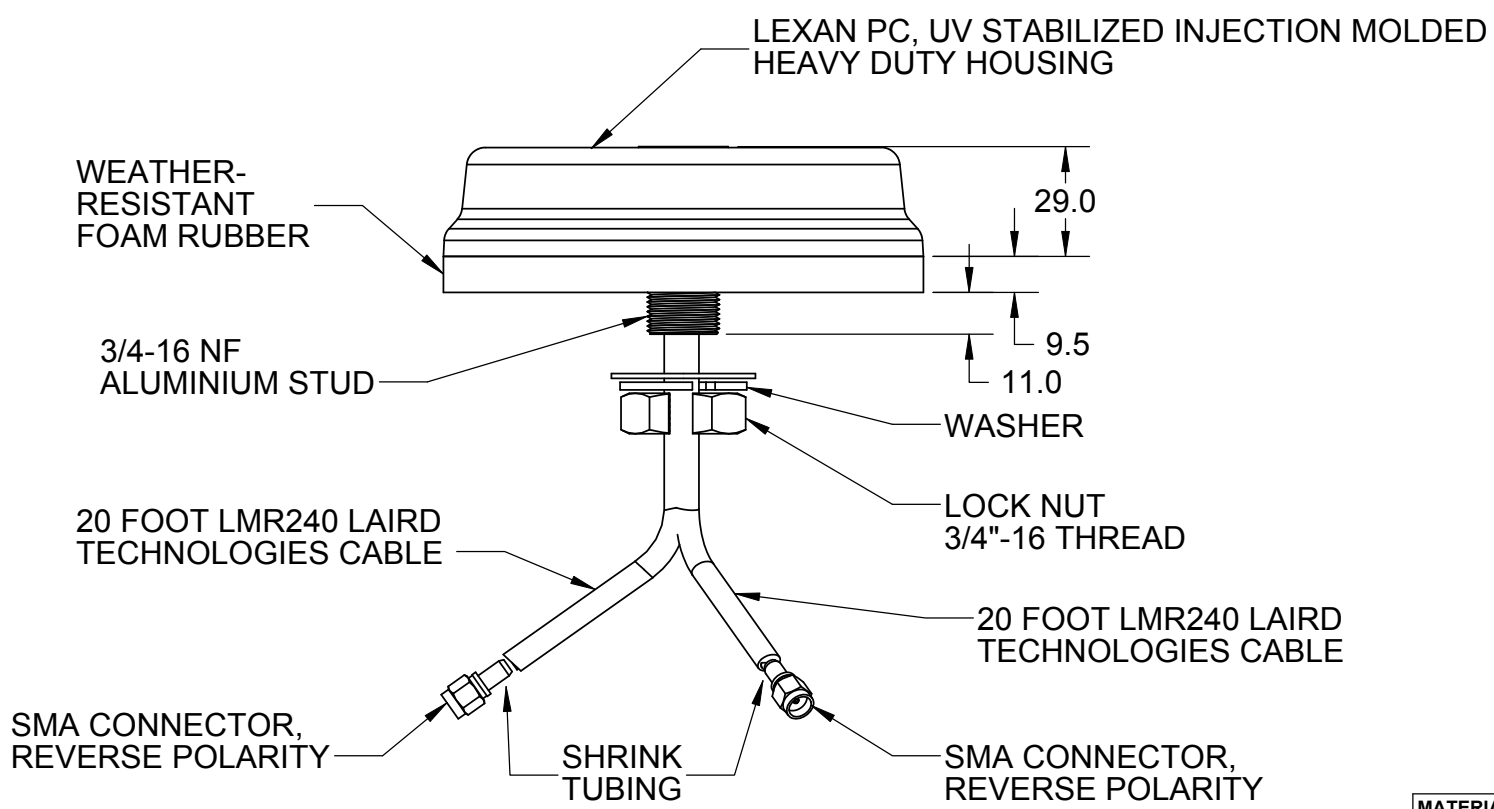
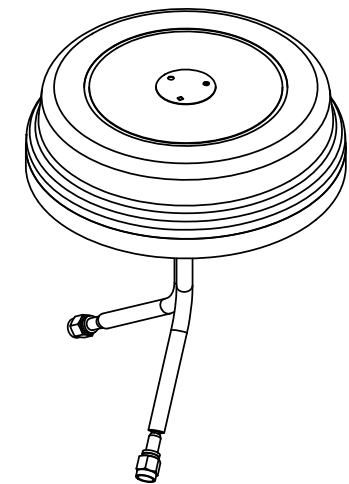
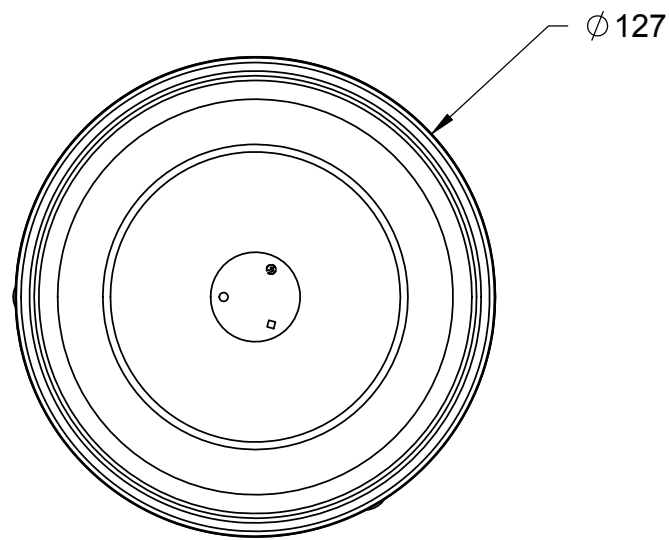
3

2

1

THIS DRAWING IS UNPUBLISHED.	RELEASED FOR PUBLICATION	- . - .
© Copyright 2022 TE Connectivity Ltd.	ALL RIGHTS RESERVED.	

REVISIONS					
REV.	ECR#	ZONE	DESCRIPTION	CHANGED BY/DATE	APPROVED BY/DATE
1			PRELIMINARY	WT NG 09-08-11	



Parameter	Value
Model Number	VMD24493RSM-610
Frequency	2.4 - 2.5 GHz & 4.9 GHz - 5.875 GHz
Gain	3 dBi Peak
Polarization	Vertical
Pattern	Omni Directional
Nominal Impedance	50 Ω
VSWR	< 2:1
Power handling	50 W
Cable	LMR240, 20 ft (6 meters)
Connector	SMA Crimp Type, Reverse Polarity
Weight	Approximately 0.61 kg
Radome	PC, Black
Operating Temperature	-35° to +80° C

MATERIAL:		THIRD ANGLE PROJECTION			
FINISH:					
APPROVALS		DATE		TITLE:	
DRAWN BY	WT NG	09-08-11		VMD24493RSM-610	
PROJ. ENG.					
APPL. MECH.				SIZE A3 DWG. NO. VMD24493RSM-610MO REV 1	
MFG.				SCALE: 1:2 PREVIOUS# SHEET 1 OF 1	

DO NOT SCALE DRAWING

INTERPRET DIMENSIONING AND TOLERANCING IN ACCORDANCE WITH ASME Y14.5M-2009

TOLERANCES UNLESS OTHERWISE SPECIFIED

DIMENSIONS ARE IN MILLIMETERS

ANGLE: ±30°
 0 PLACE DECIMAL: ±0.5
 1 PLACE DECIMAL: ±0.25
 2 PLACE DECIMAL: ±0.13

SURFACE ROUGHNESS 1.6

6

5

4

3

2

1