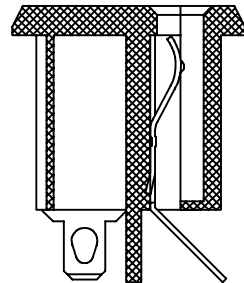
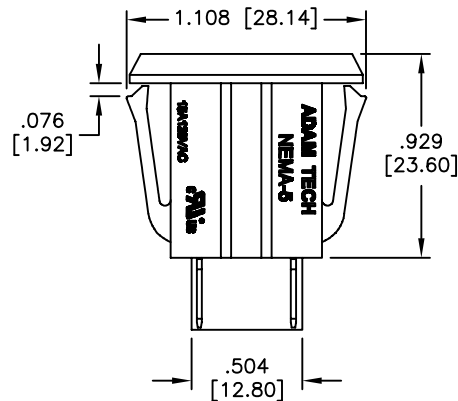
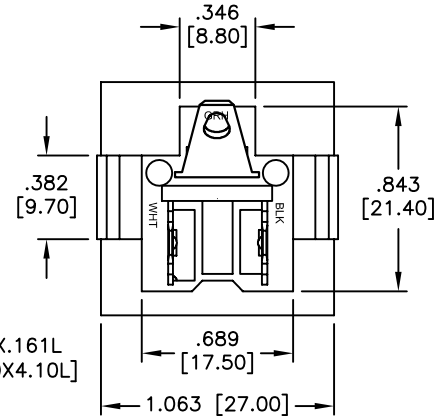
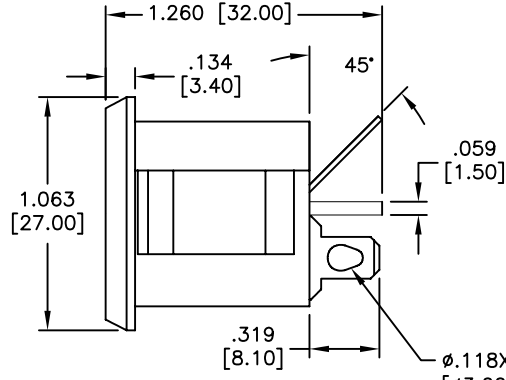
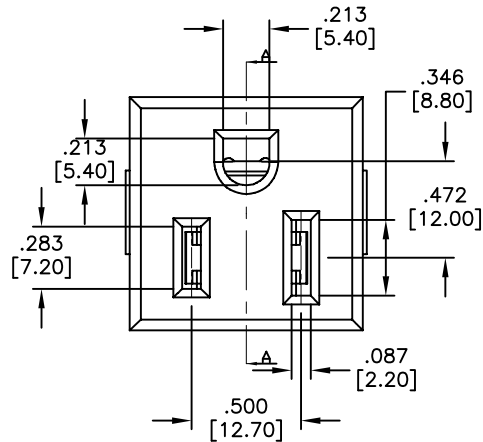
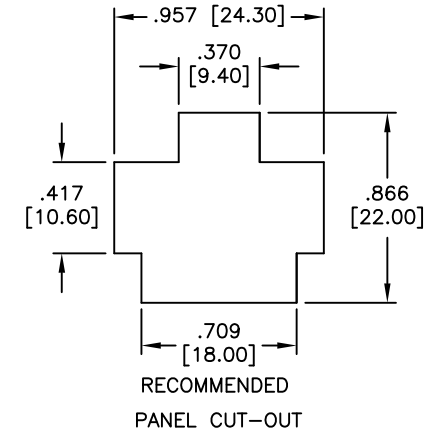


APPROVED: _____
 DATE: _____ TITLE: _____

Rev	AWO #	Description	Date	Appr
-		RELEASED	3/14/13	
A		ADDED & REVISED DIM.	8/19/13	
B		UPDATED DRAWING	8/30/16	HR/CH
C		INCREASED TERM TO INS RETENTION	1/13/17	HR/CH



SECTION A-A



SPECIFICATIONS:

Material:
 Insulator: Nylon66, rated UL 94V-0
 Insulator color: Black
 Contacts: Copper Alloy
 Plating:

Tin over Copper underplate overall
 Electrical:

Rating: 15A, 125V (C-ULus)
 Insulation resistance: 100 Mohms min @ 500 VDC
 Dielectric withstanding voltage: 3,000 VAC for 1 minute
 Environmental:

Lead free, RoHS compliant



UNLESS OTHERWISE SPECIFIED ALL DIMENSIONS ARE INCHES [MM] TOLERANCES: EXCEPT AS NOTED			
INCHES		HOLES	
.X	± .10	Ø.X	± .10
.XX	± .020	Ø.XX	± .015
.XXX	± .015	Ø.XXX	± .010

APPROVALS		DATE
DRAWN	AY	3/14/13
CHECKED	YC	3/14/13
APPROVED		

ADAM TECH

909 Rahway Avenue, Union, NJ 07083
 Phone: 908-687-5000 Fax: 908-687-5710

TITLE NEMA RECEPTACLE			
SIZE X	PART NO. NEMA-5-1-A	REV. C	
REF: S00087C	SCALE: NTS	SHEET 1 OF 1	