

LOC DW

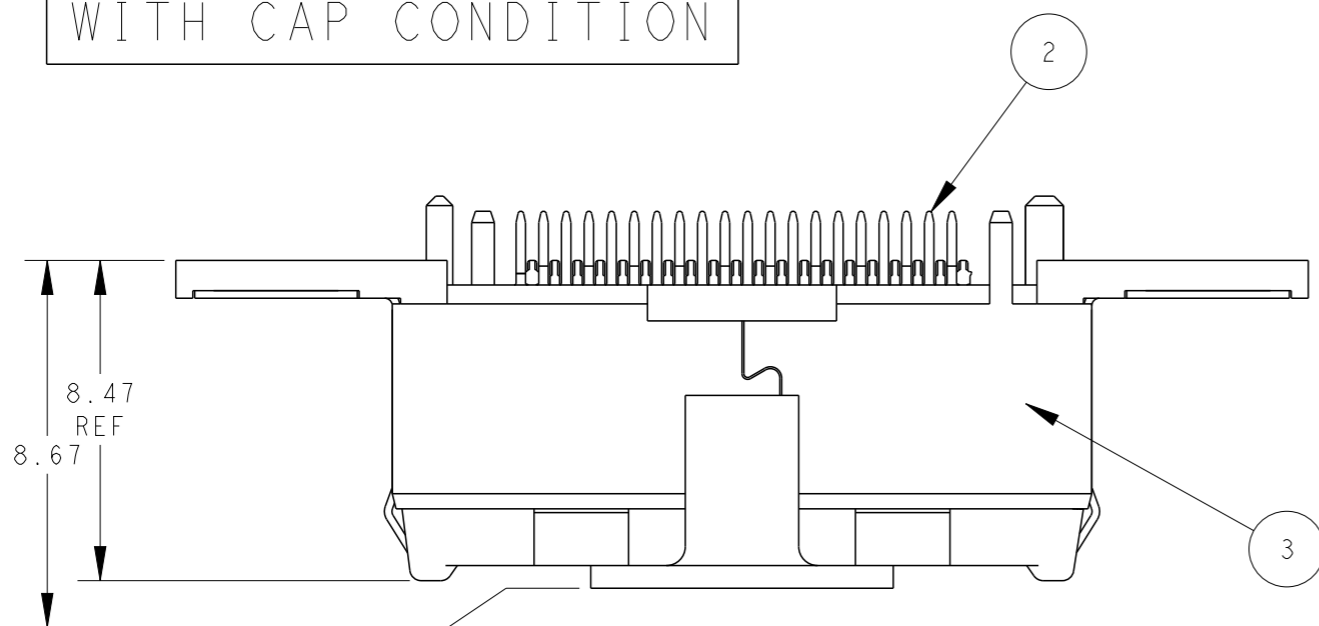
DIST

REVISIONS

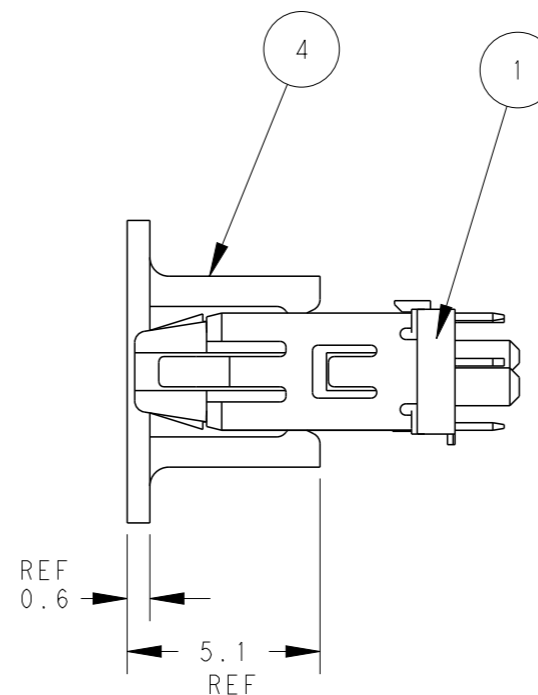
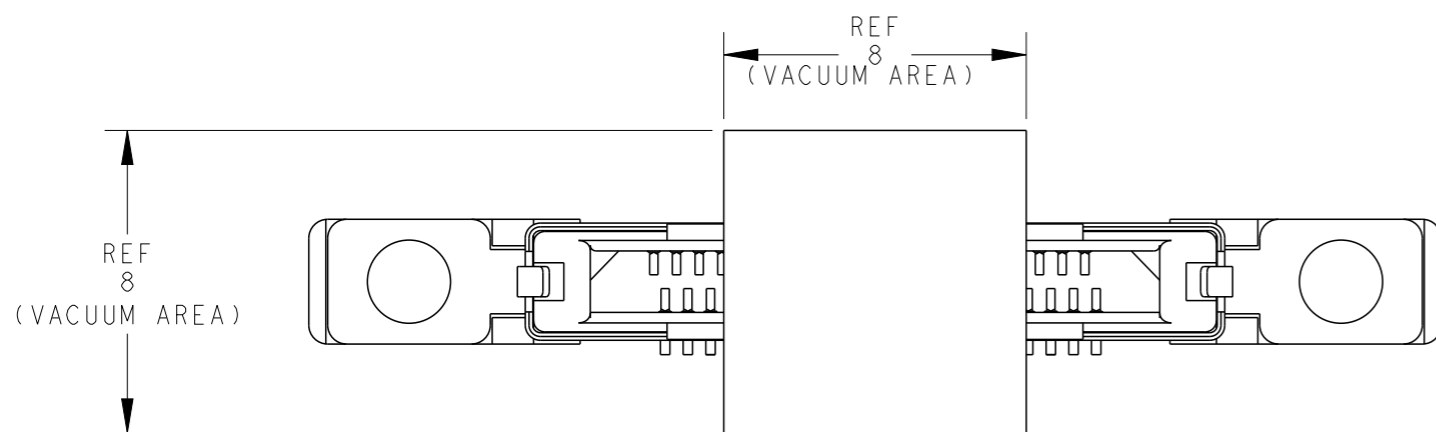
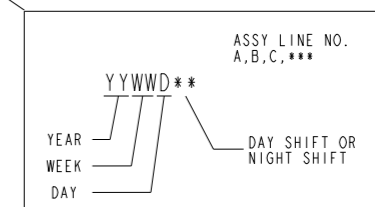
P	LTR	DESCRIPTION	DATE	DWN	APVD
	A	RELEASED	09MAY2012	P. H	H. K

WITH CAP CONDITION

2129454-1; AS SHOWN



- ① MATERIAL: HOUSING: THERMO-PLASTIC(UL94V-0,BLACK).
CONTACT: COPPER ALLOY.
SHELL: COPPER ALLOY.
CAP: THERMO-PLASTIC(UL94V-0,BLACK).
- ② FINISH:
CONTACT: ALL OVER 2um MIN. Ni UNDER PLATING.
0.38um MIN. Au PLATING ON CONTACT AREA.
1~3um Tin PLATING ON TINE AREA.
SHELL: ALL OVER 1.3um MIN. Ni UNDER PLATING.
- ③ DATE CODE



Q'TY	NAME	ITEM
1	CAP	④
1	SHELL	③
40	CONTACT	②
1	HOUSING	①

THIS DRAWING IS A CONTROLLED DOCUMENT.

DIMENSIONS:	TOLERANCES UNLESS OTHERWISE SPECIFIED:
mm	
	① PLC ±
	② PLC ± ± 0.25
	③ PLC ±
	④ PLC ±
	ANGLES ±3°
MATERIAL ①	FINISH ②

DWN	P. HSU	09MAY2012
CHK	M. CHAO	09MAY2012
APVD	H. KODAMA	09MAY2012
PRODUCT SPEC		
APPLICATION SPEC		
WEIGHT	1.06	
CUSTOMER DRAWING		

STE TE Connectivity

NAME
PLUG ASSY, 0.6mm PITCH
CHAMP DOCKING CONNECTOR, 40POS

SIZE	CAGE CODE	DRAWING NO	RESTRICTED TO
A3	00779	C-2129454	-

SCALE 5:1 SHEET 1 OF 5 REV A

LOC
DW

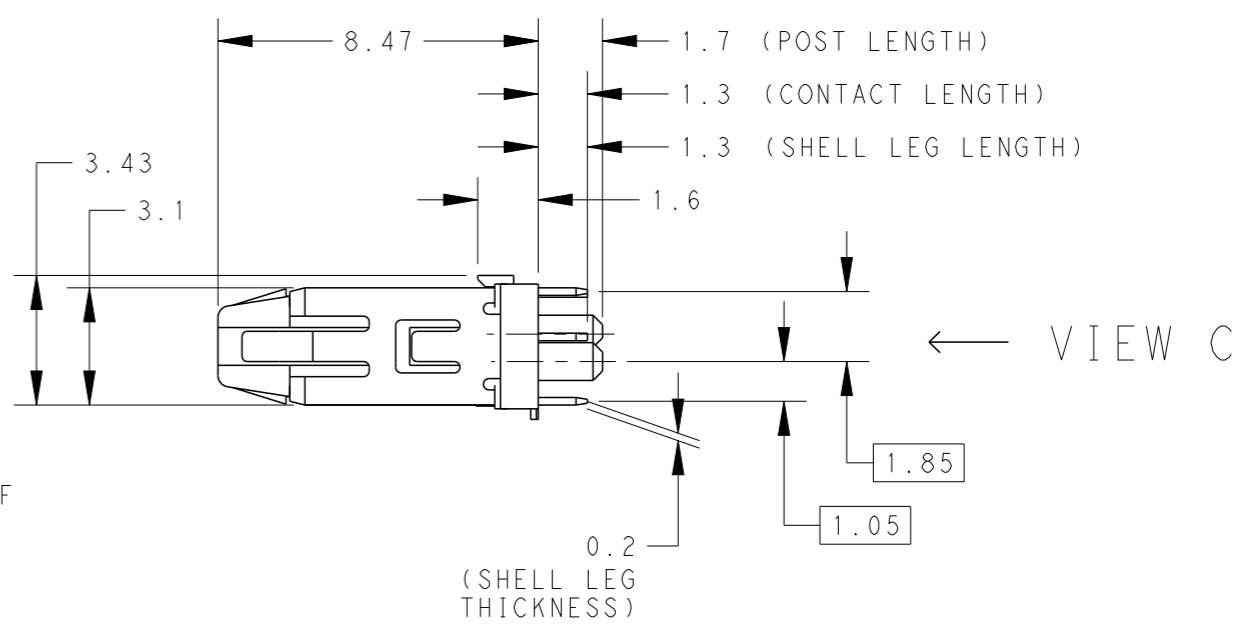
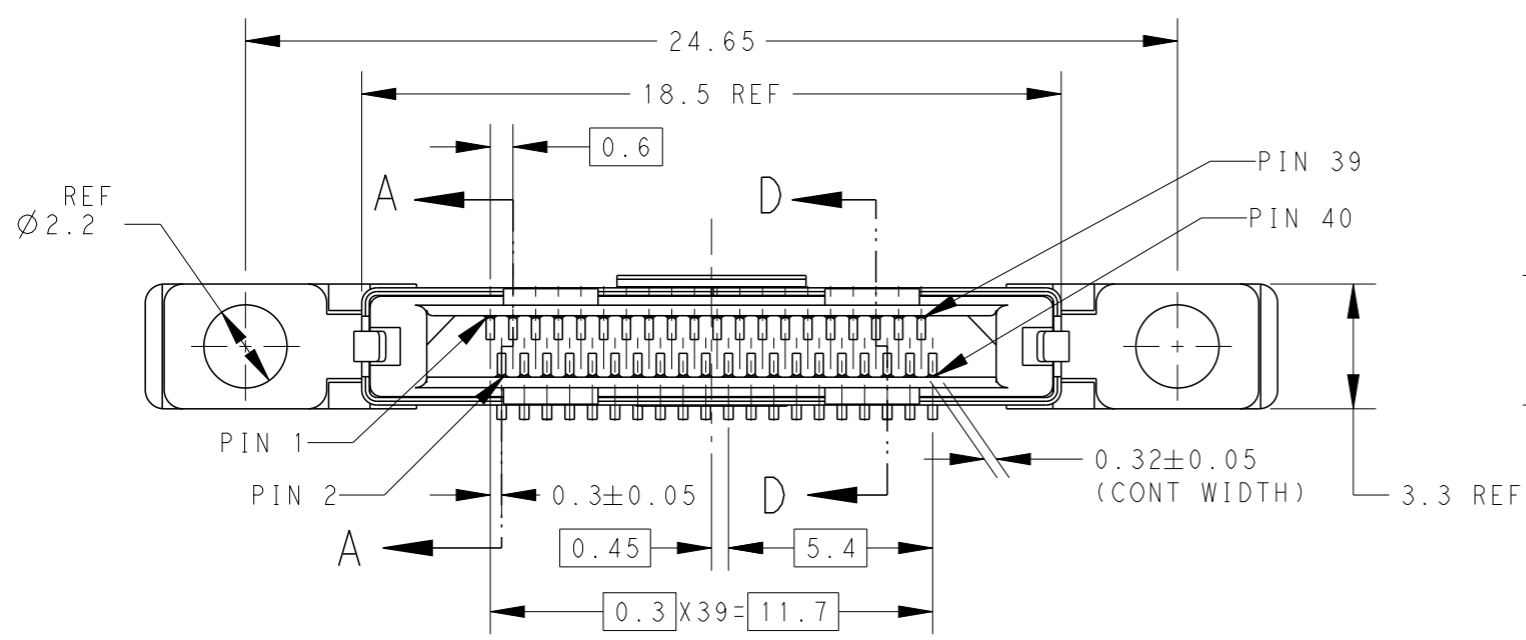
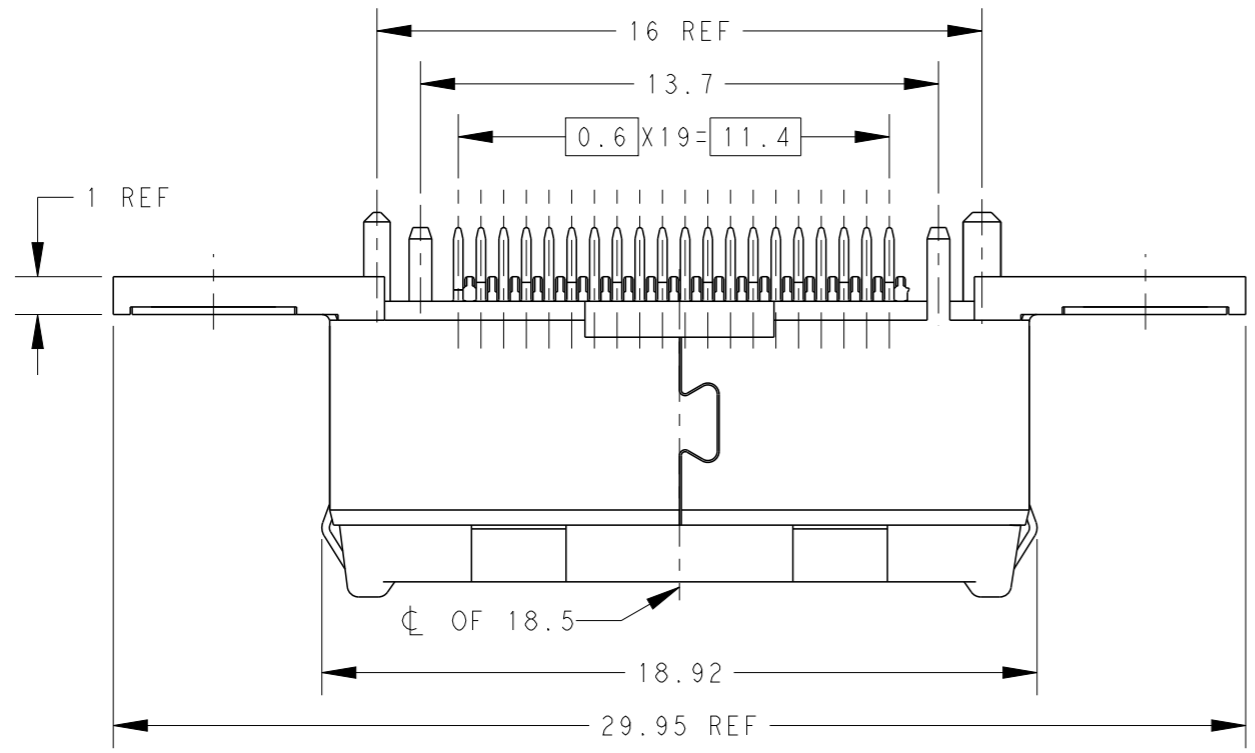
DIST

REVISIONS

P	LTR	DESCRIPTION	DATE	DWN	APVD
-	-	SEE SHEET 1	-	-	-

2129454-1; AS SHOWN

W/O CAP CONDITION

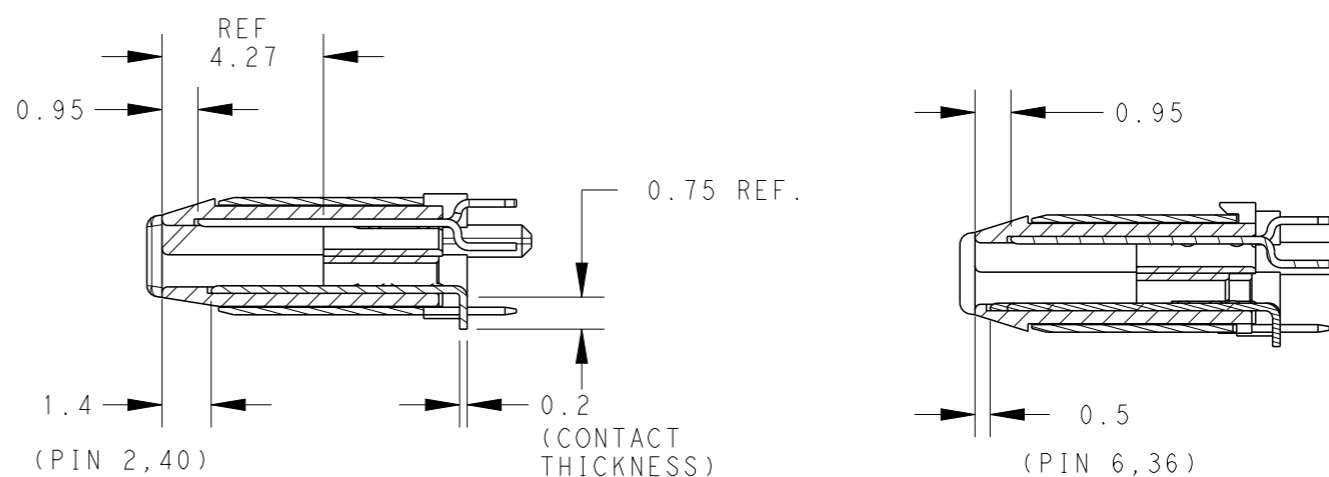
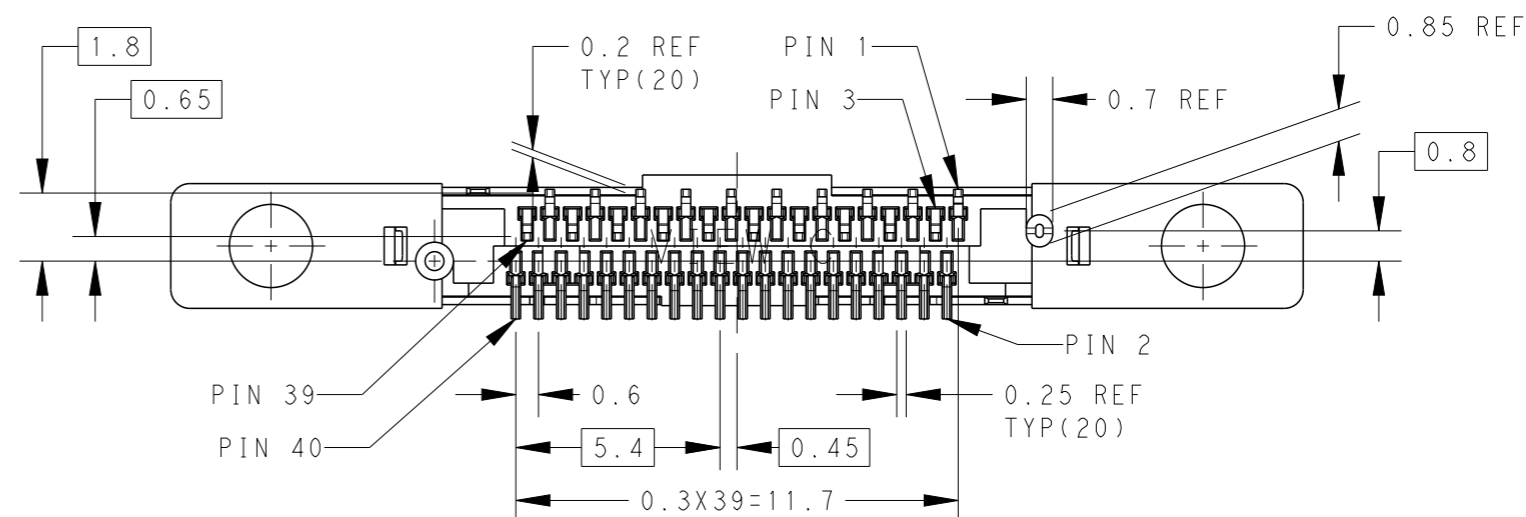
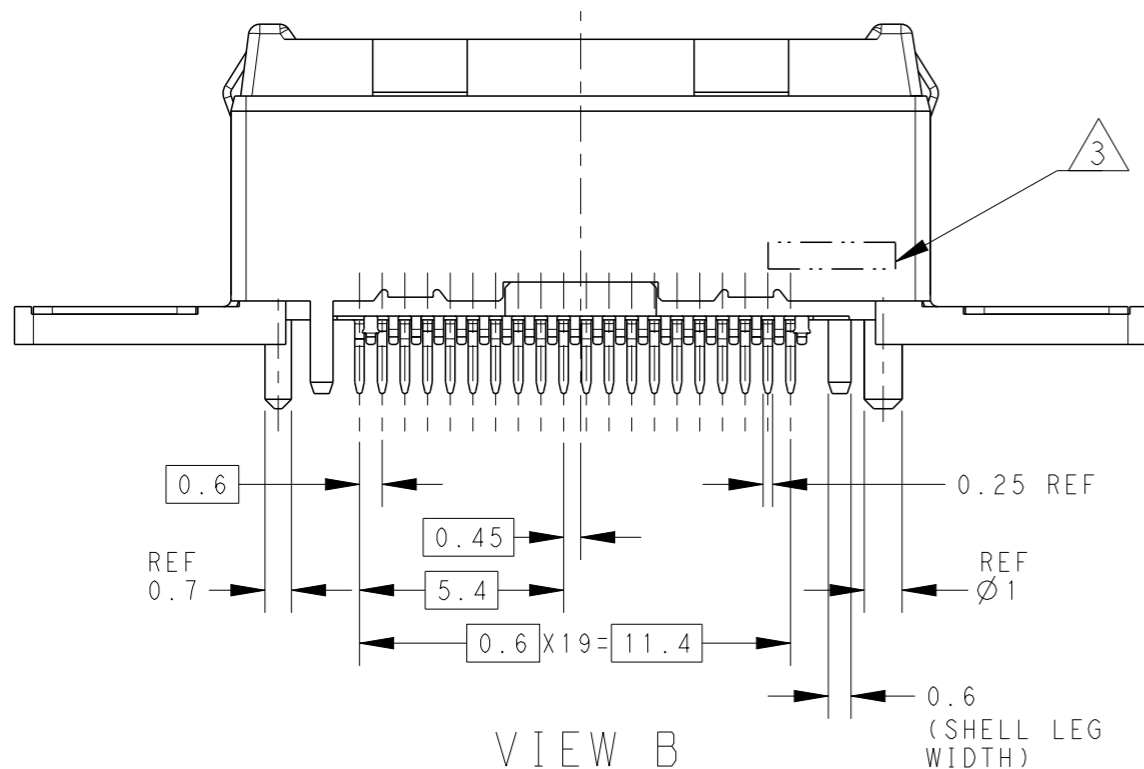


VIEW B

VIEW C

THIS DRAWING IS A CONTROLLED DOCUMENT.		DWN	-	 TE Connectivity	NAME PLUG ASSY, 0.6mm PITCH CHAMP DOCKING CONNECTOR, 40POS
DIMENSIONS: mm		CHK	-		
TOLERANCES UNLESS OTHERWISE SPECIFIED:		APVD	-		
0 PLC ± 1 PLC ± 2 PLC ± ±0.25 3 PLC ± 4 PLC ± ANGLES ±3° FINISH -		PRODUCT SPEC	-		
MATERIAL	-	APPLICATION SPEC	-	SIZE	A3
		WEIGHT	-	CAGE CODE	00779
		CUSTOMER DRAWING	-	DRAWING NO	2129454
				RESTRICTED TO	-
				SCALE	5:1
				SHEET	2 OF 5
				REV	A

P	LTR	DESCRIPTION	DATE	DWN	APVD
-	-	SEE SHEET 1	-	-	-

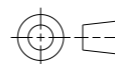


SECTION A - A

SECTION D - D

THIS DRAWING IS A CONTROLLED DOCUMENT.

DIMENSIONS:
mm



TOLERANCES UNLESS OTHERWISE SPECIFIED:

Ø PLC	±
1 PLC	±
2 PLC	± 0.25
3 PLC	±
4 PLC	±
ANGLES	±3°
FINISH	-

MATERIAL

DWN	-
CHK	-
APVD	-
PRODUCT SPEC	-
APPLICATION SPEC	-
WEIGHT	-



TE Connectivity

NAME
PLUG ASSY, 0.6mm PITCH
CHAMP DOCKING CONNECTOR, 40POS

SIZE	CAGE CODE	DRAWING NO	RESTRICTED TO
------	-----------	------------	---------------

A300779 C-2129454

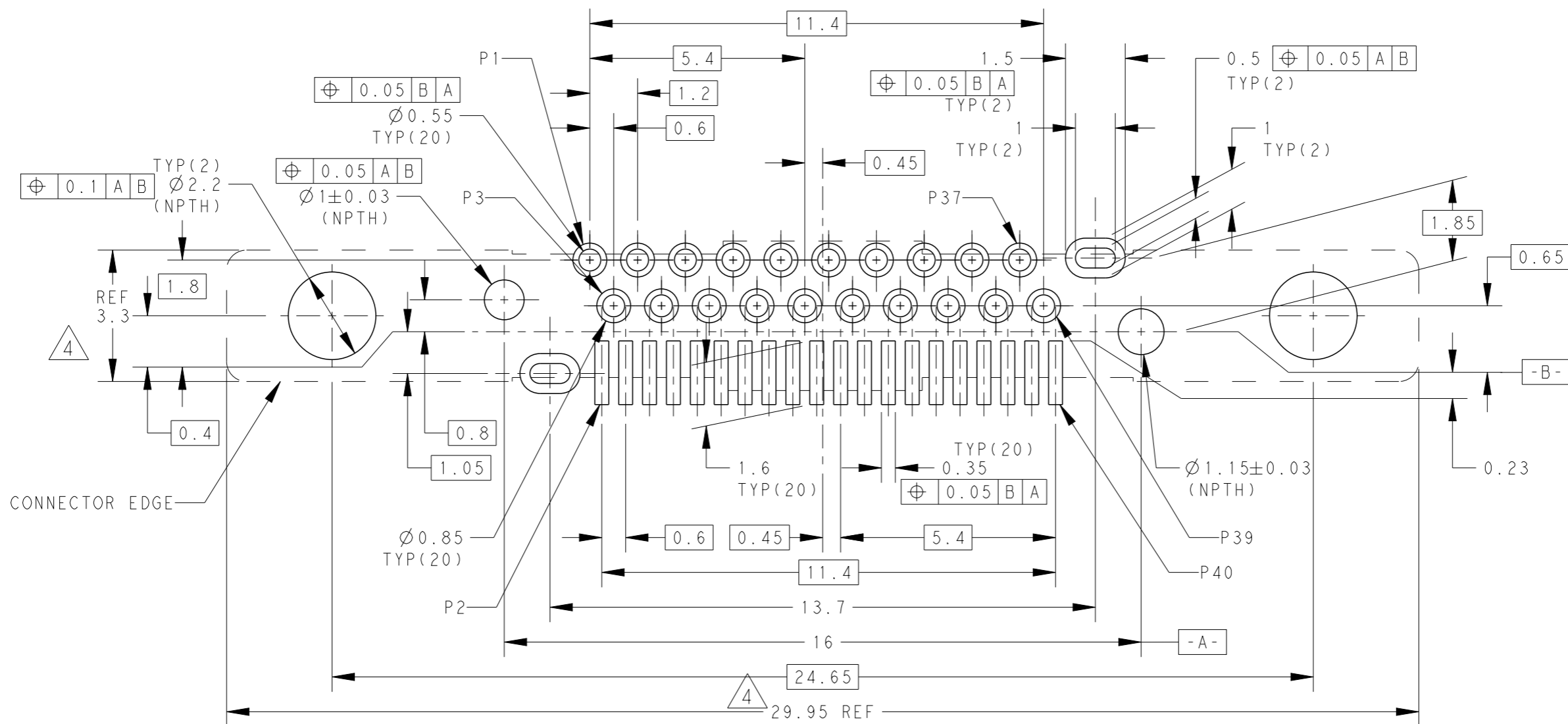
CUSTOMER DRAWING

SCALE 5:1

SHEET 3 OF 5

REV A

P	LTR	DESCRIPTION	DATE	DWN	APVD
-	-	SEE SHEET 1	-	-	-



REFERENCE P.C. BOARD LAYOUT (TOP VIEW)

△ CONNECTOR OUTLINE

THIS DRAWING IS A CONTROLLED DOCUMENT.

DIMENSIONS:	TOLERANCES UNLESS OTHERWISE SPECIFIED:
mm	0 PLC ±
	1 PLC ±
	2 PLC ± ±0.05
	3 PLC ±
	4 PLC ±
	ANGLES ±3°
MATERIAL	FINISH

DWN	-
CHK	-
APVD	-
PRODUCT SPEC	-
APPLICATION SPEC	-
WEIGHT	-
CUSTOMER DRAWING	-

STE TE Connectivity

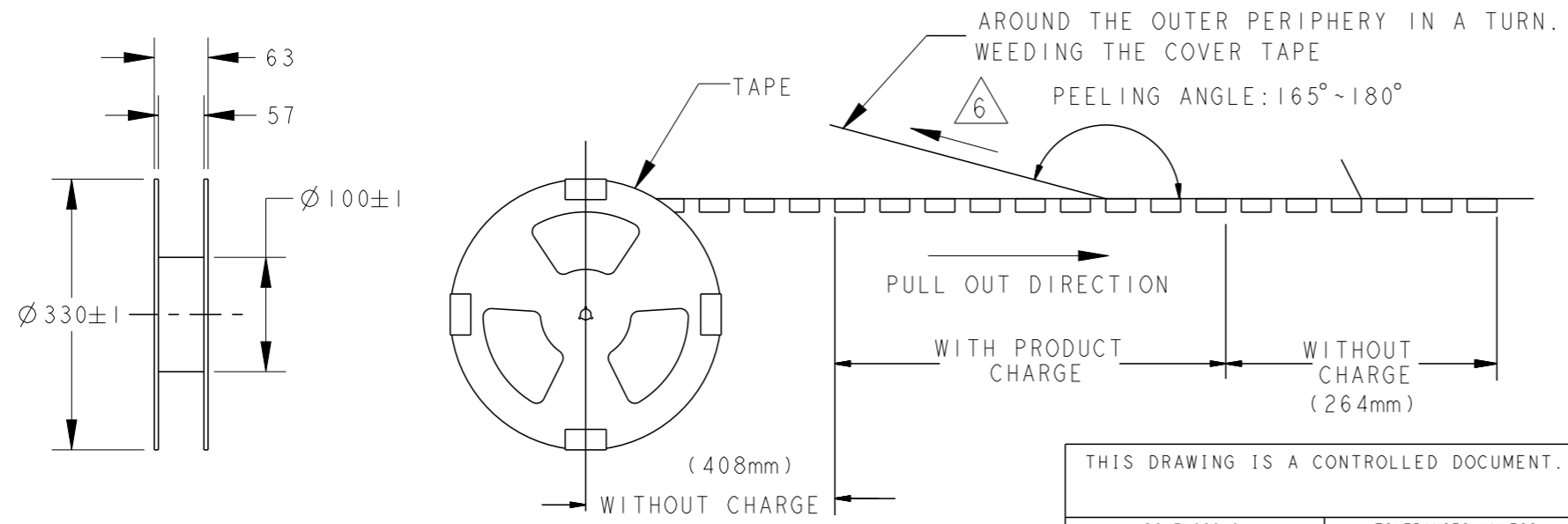
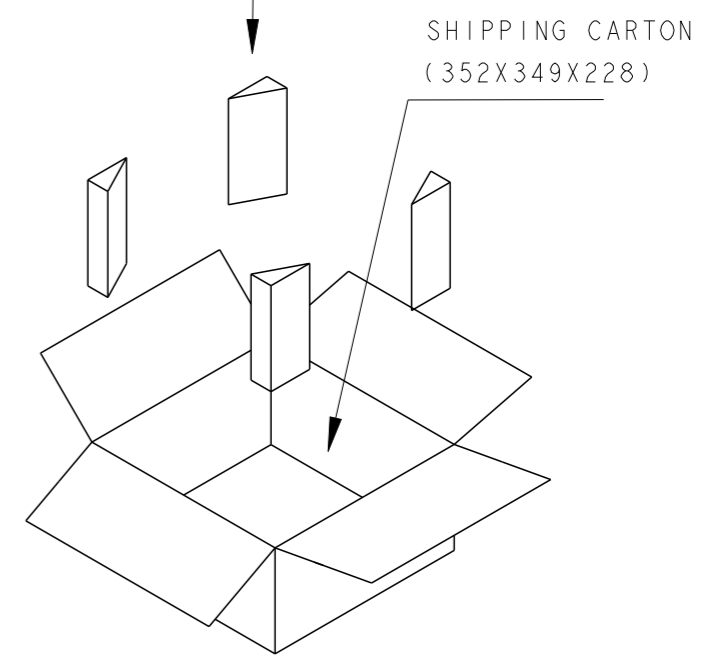
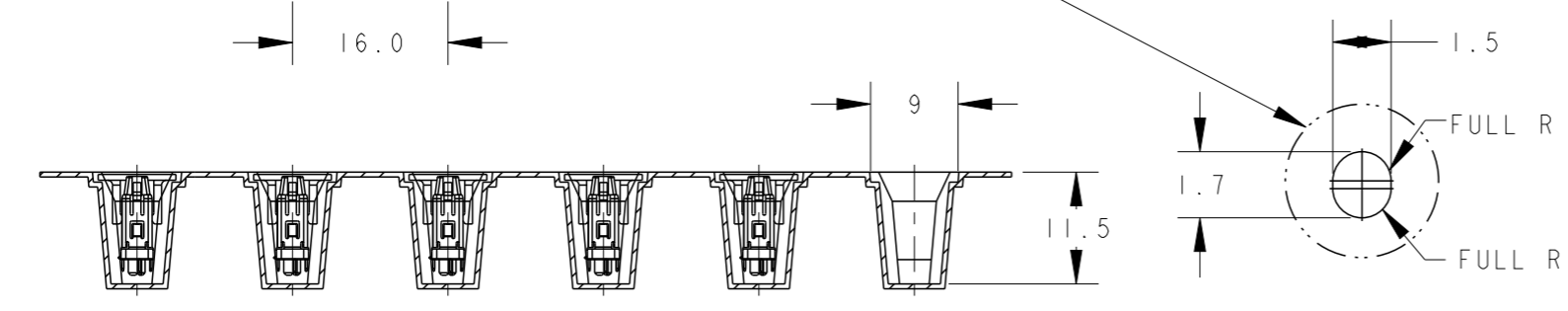
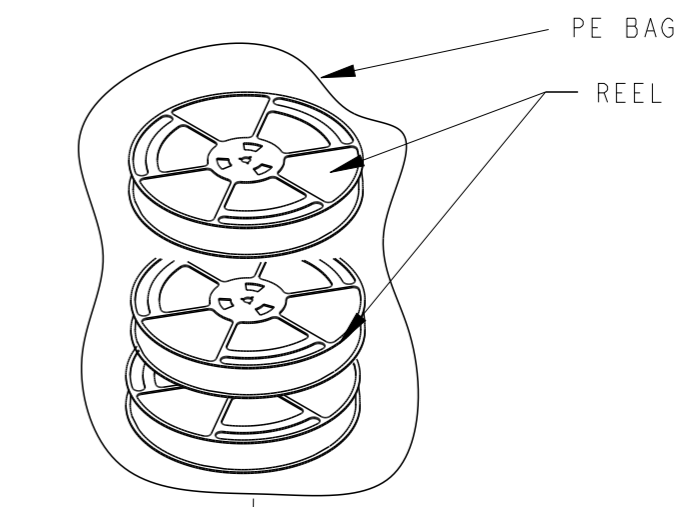
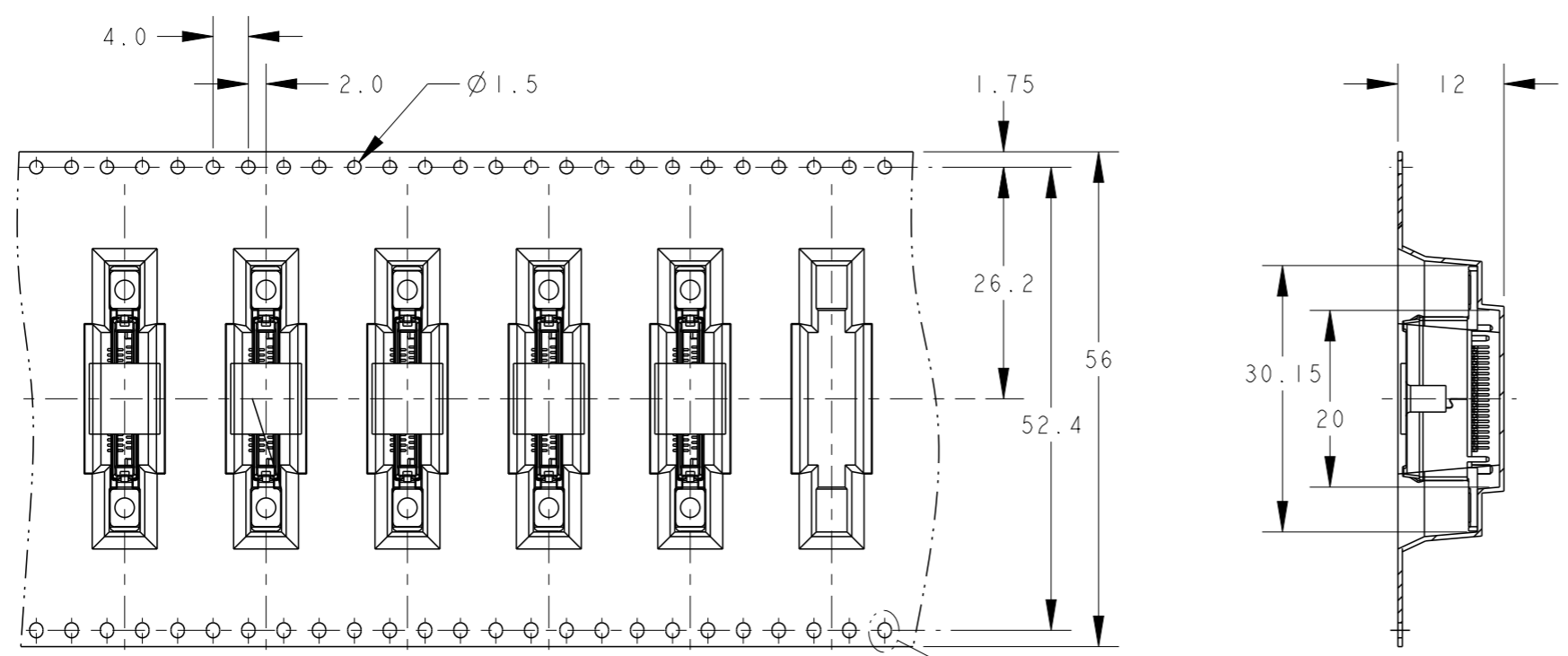
NAME
PLUG ASSY, 0.6mm PITCH
CHAMP DOCKING CONNECTOR, 40POS

SIZE	CAGE CODE	DRAWING NO	RESTRICTED TO
A3	00779	C-2129454	-

SCALE 8:1 SHEET 4 OF 5 REV A

THIS DRAWING IS UNPUBLISHED. RELEASED FOR PUBLICATION 20
 © COPYRIGHT 20 BY - ALL RIGHTS RESERVED.

LOC		DIST		REVISIONS					
DW				P	LTR	DESCRIPTION	DATE	DWN	APVD
				-		SEE SHEET 1	-	-	-



5. PACKING MATERIAL:
 CARRY TAPE: PS; COLOR:BLACK.
 COVER TAPE: PET; COLOR: CLEAR.
 PEELING STRENGTH OF COVER TAPE: 0.2N~1.2N

300	3	900
PCS/ TAPE	REELS/ CARTON	TOTAL QUANTITY

THIS DRAWING IS A CONTROLLED DOCUMENT.		DWN	-	STE TE Connectivity
DIMENSIONS: mm		CHK	-	
TOLERANCES UNLESS OTHERWISE SPECIFIED:		APVD	-	
Ø PLC ± 1 PLC ± 2 PLC ± ±0.5 3 PLC ± 4 PLC ± ANGLES ±3° MATERIAL FINISH -		PRODUCT SPEC	-	
		APPLICATION SPEC	-	NAME PLUG ASSY, 0.6mm PITCH CHAMP DOCKING CONNECTOR, 40POS
		WEIGHT	-	SIZE A300779
		CUSTOMER DRAWING	-	DRAWING NO C-2129454
		SCALE	5:1	RESTRICTED TO
		SHEET	5 OF 5	REV A