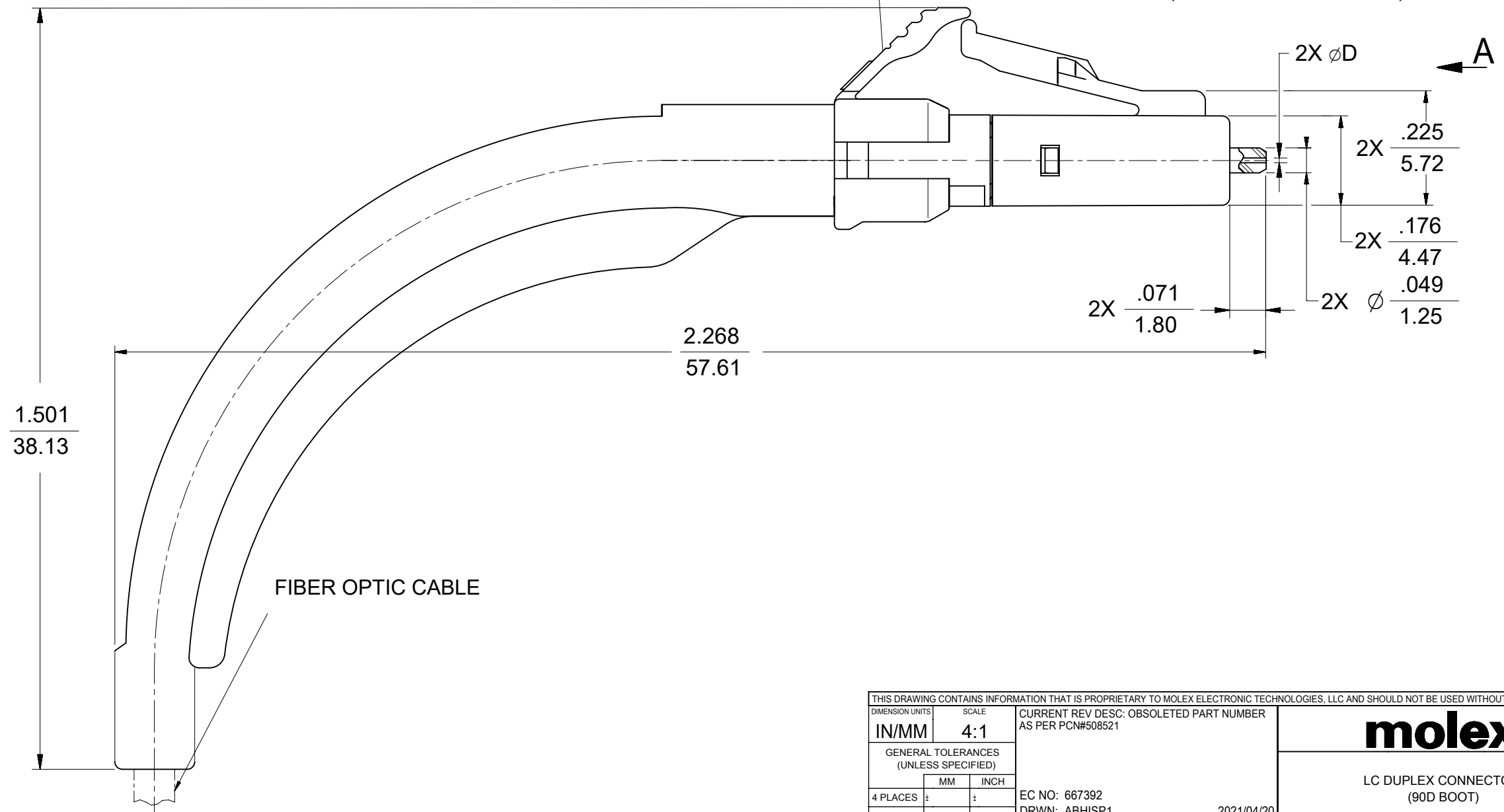
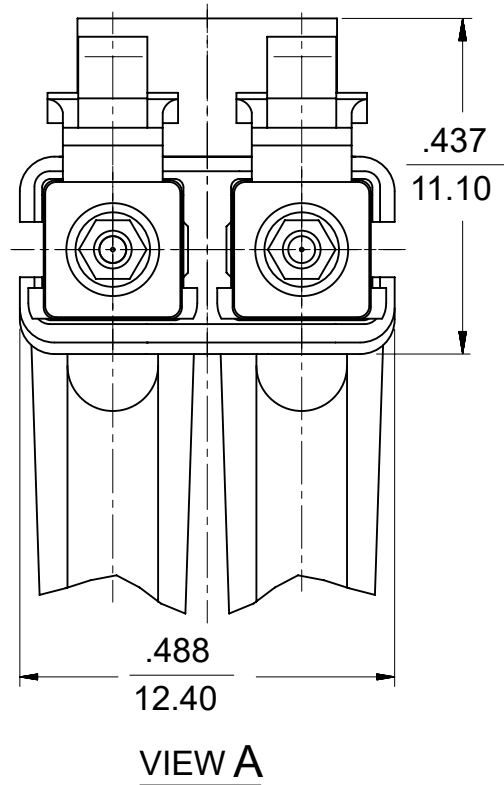
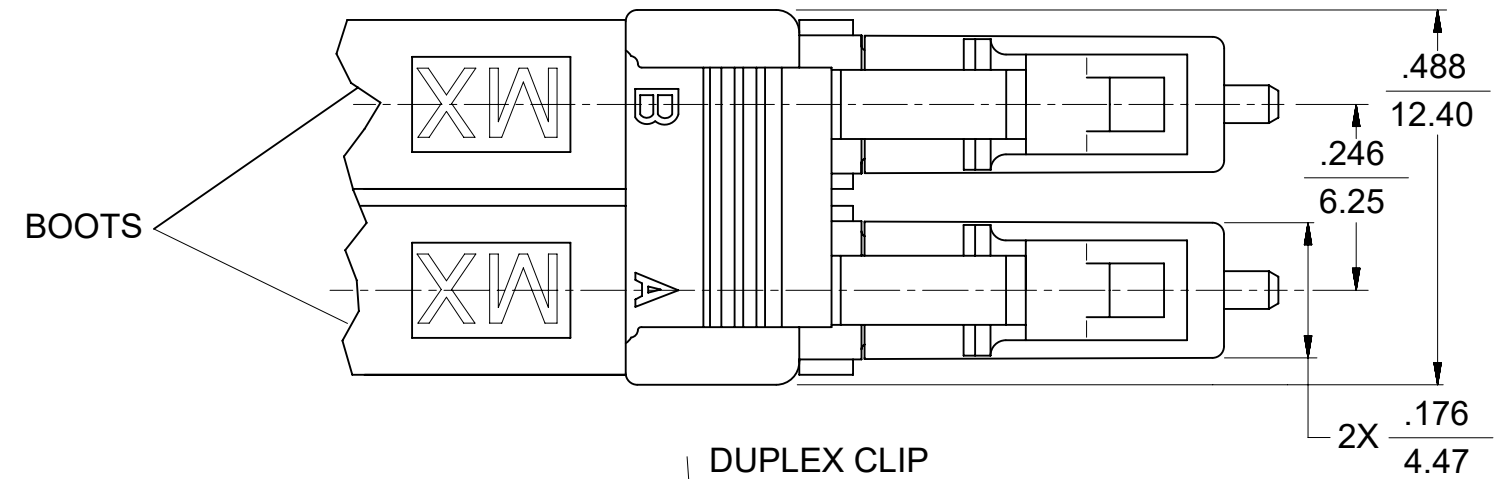


| CONNECTOR P/N | ∅D (μm) | CONNECTOR BODY COLOR | BOOT COLOR | CABLE ∅ (mm) | CABLE TYPE |
|---------------|---------|----------------------|------------|--------------|-------------|
| 106025-3400 | 127.00 | BEIGE | WHITE | 1.6 | MULTIMODE |
| 106025-3600 | | | | 2.0 | |
| 106025-4400 | 125.00 | BLUE | | 1.6 | SINGLE MODE |
| 106025-4600 | | | | 2.0 | |
| 106025-5400 | | | | 1.6 | |
| 106025-5600 | 126.00 | 2.0 | | | |
| 106025-6400 | 125.25 | 1.6 | | | |
| 106025-6600 | 2.0 | | | | |



NOTES:
1. DUPLEX CLIP AND BOOTS SHOULD BE ASSEMBLED AFTER POLISHING OPERATION.

| | | | | | | | | | | | | |
|---|--|-------|--|--|---------|------------|--------|--------------------------------|----------------|--------------|--------------|----------|
| THIS DRAWING CONTAINS INFORMATION THAT IS PROPRIETARY TO MOLEX ELECTRONIC TECHNOLOGIES, LLC AND SHOULD NOT BE USED WITHOUT WRITTEN PERMISSION | | | | | | | | | | | | |
| DIMENSION UNITS | | SCALE | | CURRENT REV DESC: OBSOLETE PART NUMBER AS PER PCN#508521 | | | | | | molex | | |
| IN/MM | | 4:1 | | | | | | | | | | |
| GENERAL TOLERANCES (UNLESS SPECIFIED) | | | | EC NO: 667392 | | 2021/04/20 | | LC DUPLEX CONNECTOR (90D BOOT) | | | | |
| 4 PLACES ± | | ± | | DRWN: ABHISP1 | | 2021/07/05 | | | | | | |
| 3 PLACES ± | | ± | | CHK'D: GGA | | 2021/07/05 | | PRODUCT CUSTOMER DRAWING | | | | |
| 2 PLACES ± | | ± | | APPR: GGA | | 2021/07/05 | | | | | | |
| 1 PLACE ± | | ± | | INITIAL REVISION: | | 2005/09/07 | | DOCUMENT NUMBER | | DOC TYPE | DOC PART | REVISION |
| 0 PLACES ± | | ± | | DRWN: PGIBLIN | | 2005/09/07 | | SD-1060EE-EEE0 | | PSD | 001 | B |
| ANGULAR TOL ± 0.5° | | | | THIRD ANGLE PROJECTION | | DRAWING | SERIES | MATERIAL NUMBER | CUSTOMER | | SHEET NUMBER | |
| DRAFT WHERE APPLICABLE MUST REMAIN WITHIN DIMENSIONS | | | | THIRD ANGLE PROJECTION | DRAWING | B-SIZE | 106025 | SEE TABLE | GENERAL MARKET | | 1 OF 1 | |